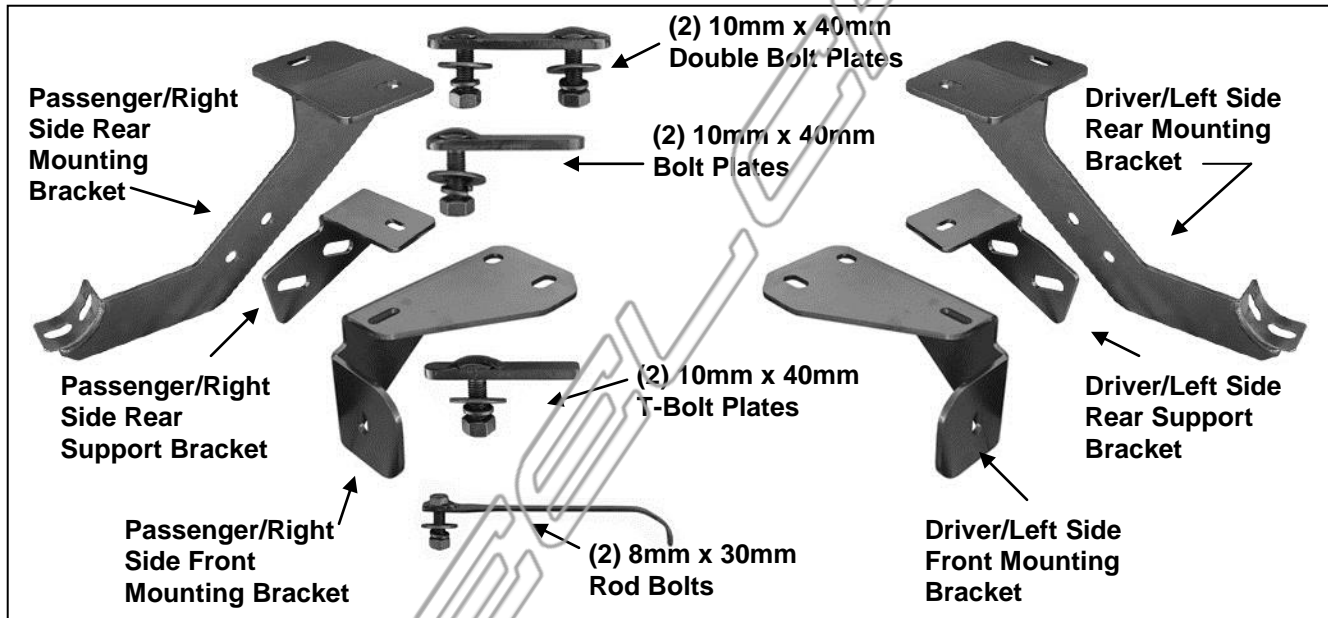


**PARTS LIST:**

1	Driver/Left Sidebar	2	1/2" Lock Washers
1	Passenger/Right Sidebar	4	10-1.50mm x 30mm Hex Bolts
1	Driver/Left Front Mounting Bracket	8	10mm x 30mm OD x 2.5mm Flat Washers
1	Passenger/Right Front Mounting Bracket	8	10mm x 20mm OD x 2mm Flat Washers
1	Driver/Left Rear Mounting Bracket	12	10mm Lock Washers
1	Passenger/Right Rear Mounting Bracket	12	10mm Hex Nuts
1	Driver/Left Rear Support Bracket	4	8-1.25mm x 25mm Hex Bolts
1	Passenger/Right Rear Support Bracket	6	8mm x 24mm OD x 2mm Flat Washers
2	10-1.50mm x 40mm Double Bolt Plates	6	8mm Lock Washers
2	10-1.50mm x 40mm T-Bolt Plates	2	8mm Hex Nuts
2	10-1.50mm x 40mm Bolt Plates	2	6-1.0mm x 25mm Hex Bolts
2	8-1.25mm x 30mm Rod Bolts	2	6mm x 18mm OD x 1.6mm Flat Washers
2	1/2"-13 x 2" Hex Bolts	2	6mm Lock Washers
2	1/2" x 1-1/2" OD x 1/8" Flat Washers		



**PROCEDURE:**

1. REMOVE CONTENTS FROM BOX. VERIFY ALL PARTS ARE PRESENT. READ INSTRUCTIONS CAREFULLY BEFORE STARTING INSTALLATION.
2. Starting at the front, passenger side of the vehicle, locate the oval and round holes in the floor panel next to the frame channel, **(Figure 1)**. Remove any rubber plugs covering the two openings. Locate the small 8mm hole in the floor. **NOTE:** The 8mm hole may be covered by sealant from the factory. Use a small screwdriver to clean the sealant from the hole, **(Figure 1)**.
3. Insert the long 8mm x 30mm Rod Bolt, **(Figure 2)**, into the oval hole and out the smaller 8mm round hole. Select (1) 10mm Double Bolt Plate and insert it into the oval hole and out the remaining round hole, **(Figure 2)**. Locate the Passenger Side Front Frame Bracket. Hang the bracket from the 8mm Rod Bolt with (1) 8mm Flat Washer, (1) 8mm Lock Washer and (1) 8mm Hex Nut. Secure the Bracket to the Double Bolt Plate with the supplied (2) 10mm x 30mm x 2.5mm Large Flat Washers, (2) 10mm Lock Washers and (2) 10mm Hex Nuts, **(Figure 3)**. Snug but do not tighten hardware at this time.
4. Moving toward the rear of the vehicle, remove the factory 6mm hex bolt securing the plastic cover to the floor channel. Select the Passenger Side Rear Support Bracket. Hold the Bracket up to the

threaded hole in the floor channel and insert the included (1) 6mm x 25mm Hex Bolt with (1) 6mm Lock Washer and (1) 6mm Flat Washer through the plastic cover, the Support Bracket and into the floor channel, **(Figure 4)**. Do not tighten hardware at this time.

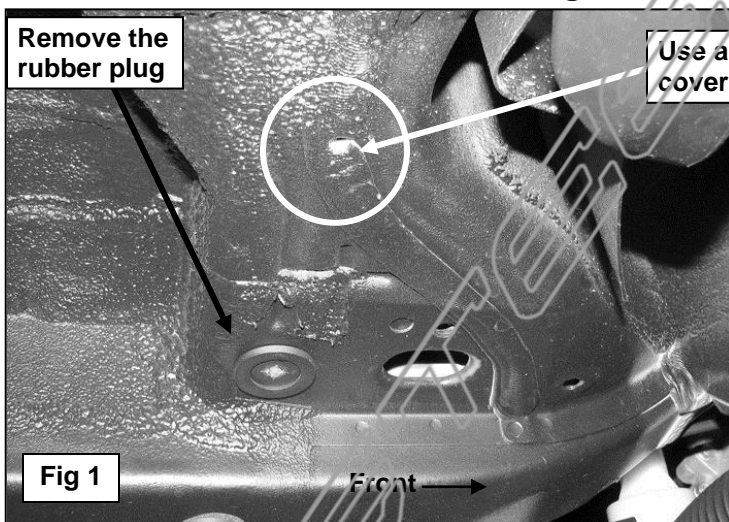
5. Locate the round and oval holes in the floor panel pictured in **Figure 5**. Remove the rubber plug from the round hole. Insert (1) 10mm Bolt Plate into the round opening. Insert (1) 10mm T-Bolt Plate into the oval opening, **(Figure 6)**. **IMPORTANT:** Rotate Bolt Plate 90-degrees to the direction of the oval opening, **(Figure 6)**.
6. Position the passenger side Rear Frame Bracket up to the vehicle and partially attach the Bracket to the (2) Bolt Plates inserted into the body panel. Secure using the included (2) 10mm x 30mm Large OD Flat Washers, (2) 10mm Lock Washers and (2) 10mm Hex Nuts, **(Figure 7)**. Snug but do not tighten hardware at this time.
7. Line the mounting surface on the Support Bracket with the (2) holes in the Rear Mounting Bracket. Bolt the Support Bracket to the Mounting Bracket with the included (2) 10mm x 30mm Hex Bolts, (4) 10mm x 20mm STD Flat Washers, (2) 10mm Lock Washers and (2) 10mm Hex Nuts, **(Figure 8)**. Snug but do not tighten hardware at this time.
8. Carefully position the front of the passenger Sidebar up to Mounting Bracket and attach it using the included (1) 1/2" x 2" Hex Bolt, (1) 1/2" Lock Washer and (1) 1/2" Flat Washer, **(Figure 9)**. Leave hardware loose. Next, lift the Sidebar up to the rear Mounting Bracket and line up the (2) mounting holes. Bolt the Sidebar to the Bracket with (2) 8mm x 25mm Hex Bolts, (2) 8mm Flat Washers and (2) 8mm Lock Washers, **(Figure 10)**. Do not tighten hardware at this time.
9. Level and adjust Sidebar properly and tighten all hardware.
10. Repeat steps 2 - 9 for driver Sidebar installation.
11. Do periodic inspections of the installation to make sure that all hardware is secure and tight.

**To protect your investment**, wax this product after installing. Regular waxing is recommended to add a protective layer over the finish. Do not use any type of polish or wax that may contain abrasives that could damage the finish.

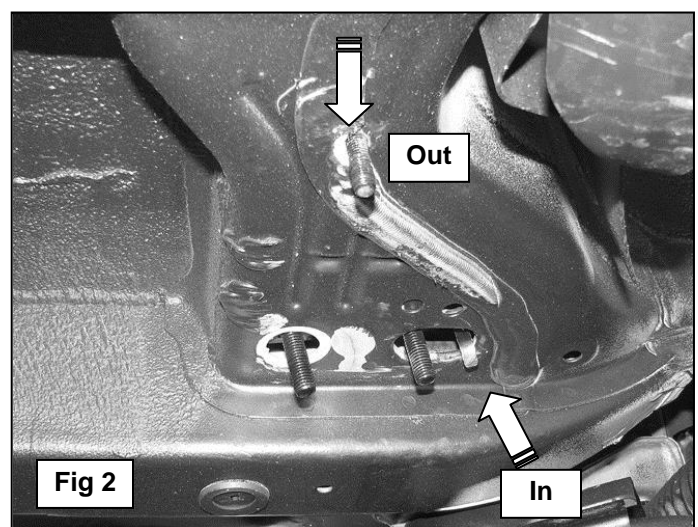
**For stainless steel:** Aluminum polish may be used to polish small scratches and scuffs on the finish. Mild soap may be used also to clean the Sidebar.

**For gloss black finishes:** Mild soap may be used to clean the Sidebar.

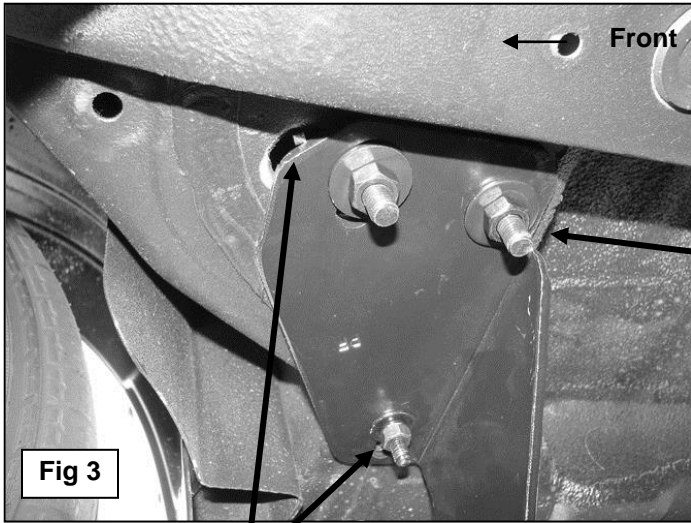
### Passenger Side Installation Pictured



Insert 8mm x 30mm Rod Bolt into oval hole and out small round hole (Pictured from below vehicle)



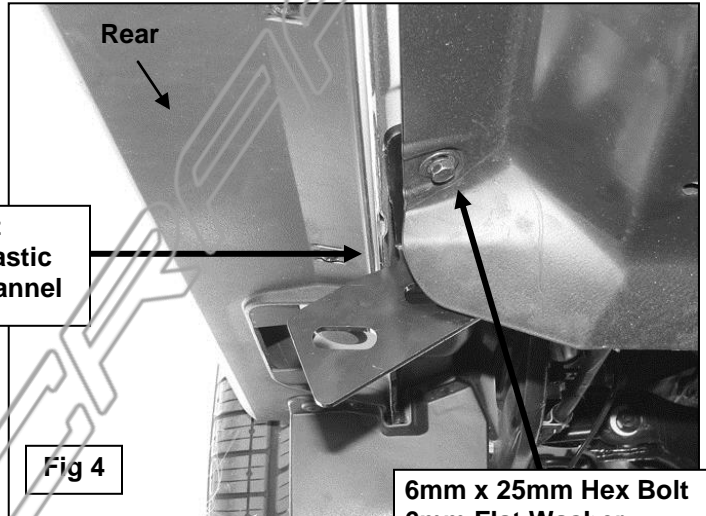
Passenger Side Installation Pictured



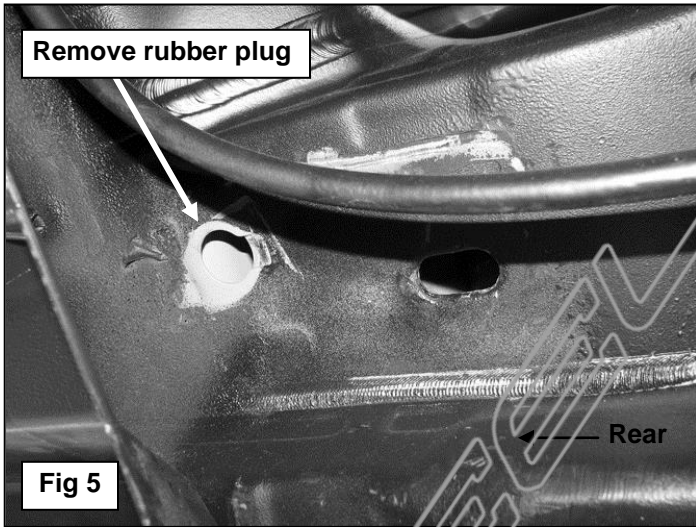
10mm Double Bolt Plate  
(2) 10mm Flat Washers  
(2) 10mm Lock Washers  
(2) 10mm Hex Nuts

8mm Rod Bolt  
8mm Flat Washer  
8mm Lock Washer  
8mm Hex Nut

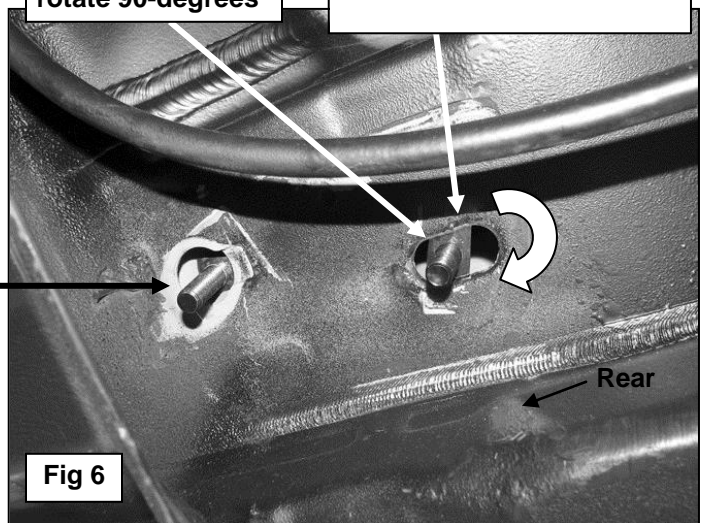
Install Rear Support  
Bracket between plastic  
cover and frame channel



6mm x 25mm Hex Bolt  
6mm Flat Washer  
6mm Lock Washer

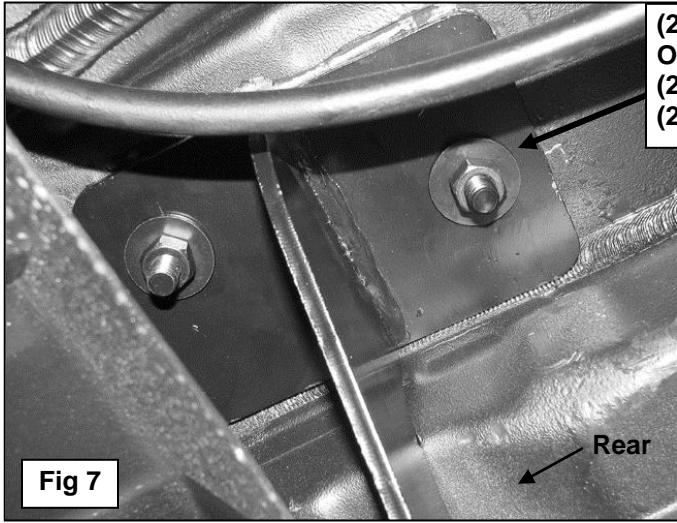


10mm x 40mm  
T-Bolt Plate  
Insert T-Bolt Plate  
into opening and  
rotate 90-degrees



10mm x 40mm  
Bolt Plate

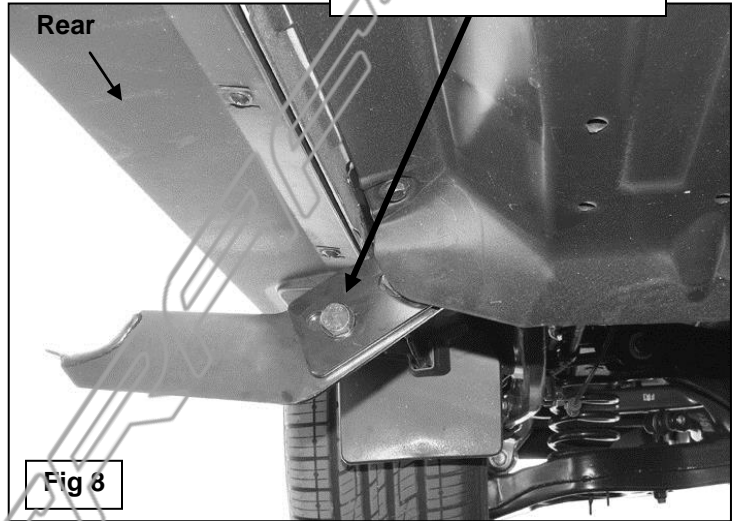
**Passenger Side Installation Pictured**



- (2) 10mm x 30mm Large OD Flat Washers
- (2) 10mm Lock Washers
- (2) 10mm Hex Nuts

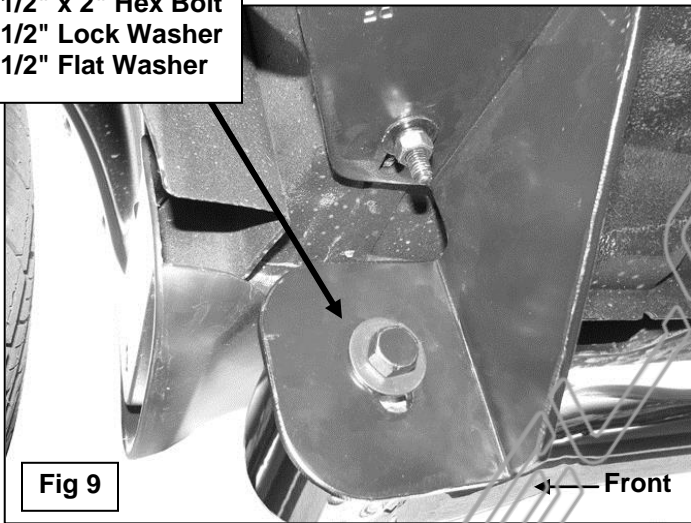
- (2) 10mm Hex Bolts
- (2) 10mm Lock Washers
- (4) 10mm x 20mm OD STD Flat Washers
- (2) 10mm Hex Nuts

**Fig 7**

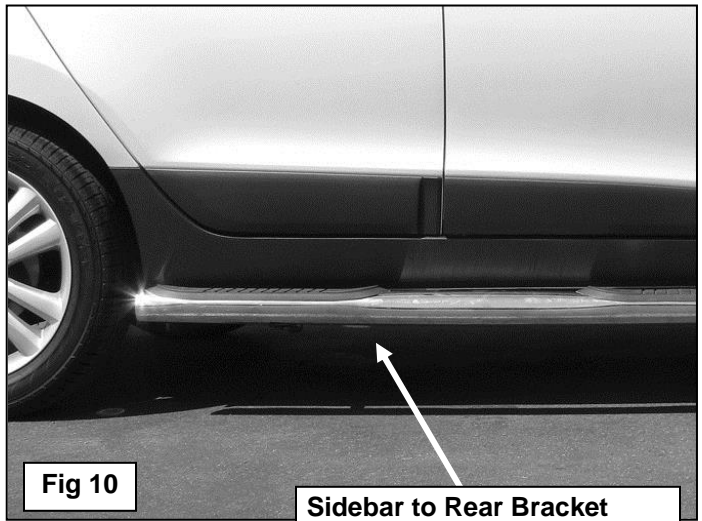


**Fig 8**

- 1/2" x 2" Hex Bolt
- 1/2" Lock Washer
- 1/2" Flat Washer



**Fig 9**



**Fig 10**

- Sidebar to Rear Bracket
- (2) 8mm x 25mm Hex Bolts
- (2) 8mm Lock Washers
- (2) 8mm Flat Washers



**Complete installation**