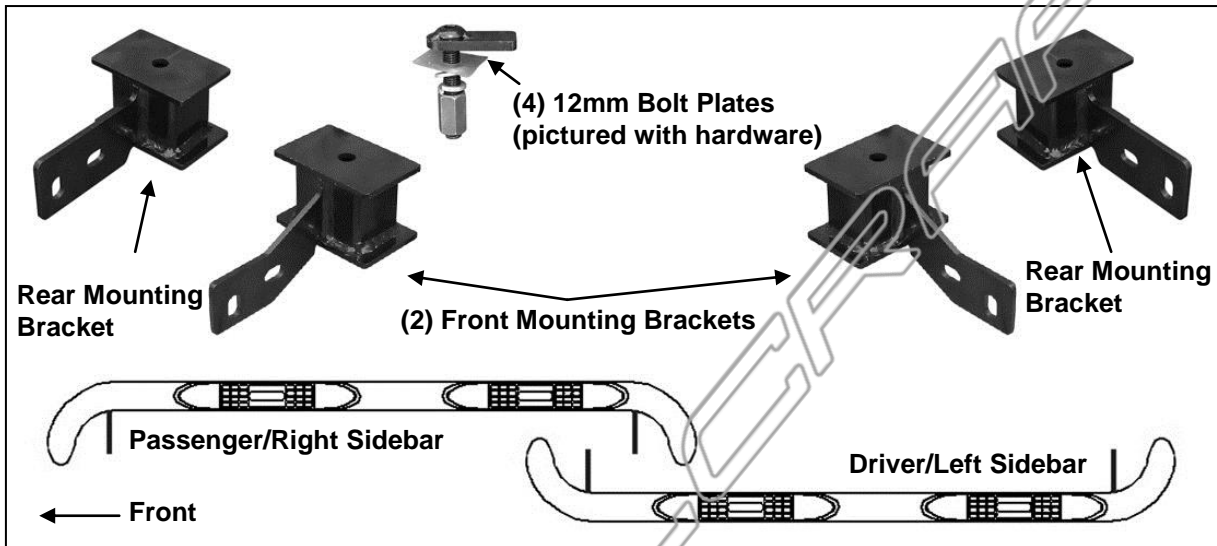


PARTS LIST:

| | | | |
|---|-------------------------------|----|-------------------------------------|
| 1 | Driver/Left Side Bar | 4 | 12mm Lock Washers |
| 1 | Passenger/Right Side Bar | 4 | 12mm x 24mm OD x 2.5mm Flat Washers |
| 2 | Front Mounting Brackets | 4 | 12mm Plastic Retainers |
| 2 | Rear Mounting Brackets | 8 | 10-1.5mm x 30mm Hex Bolts |
| 4 | 12-1.75mm x 70mm Bolt Plates | 16 | 10mm x 20mm OD x 2mm Flat Washers |
| 4 | 12-1.75mm x 30mm Coupler Nuts | 8 | 10-1.5mm Nylon Lock Nuts |

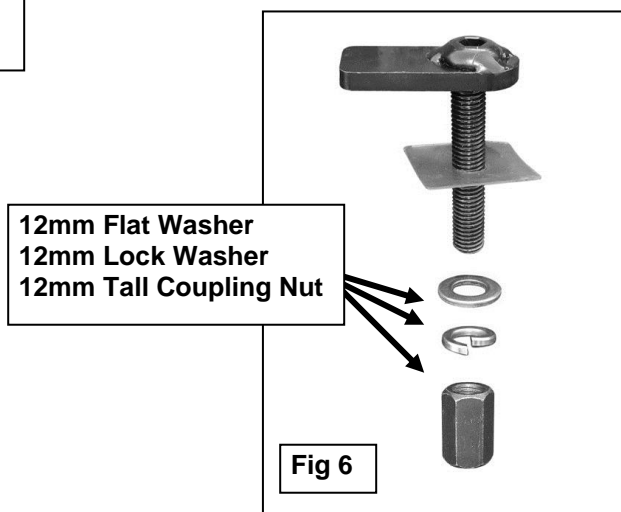
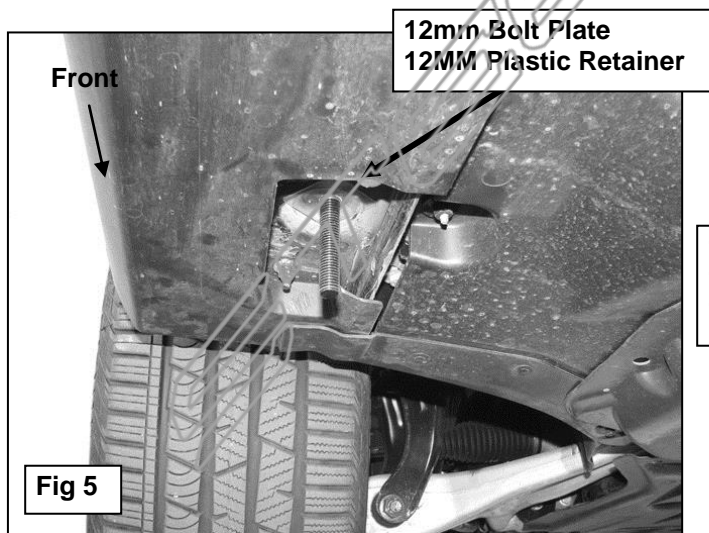
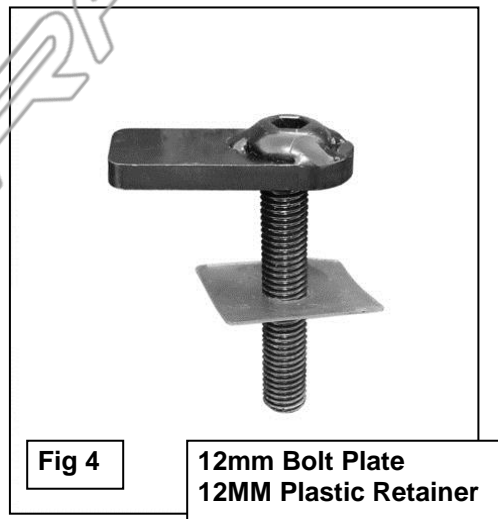
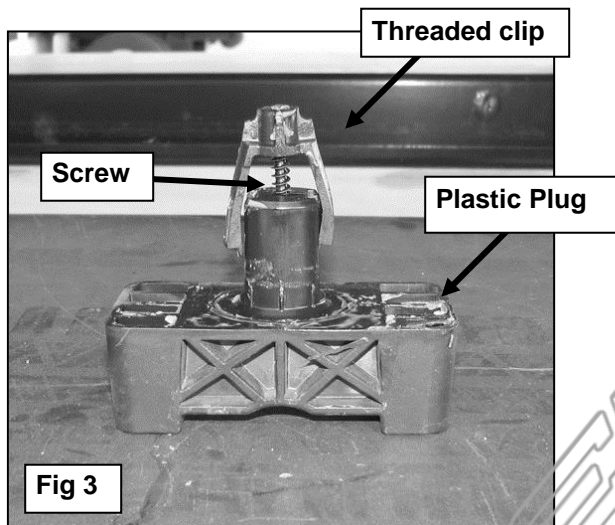
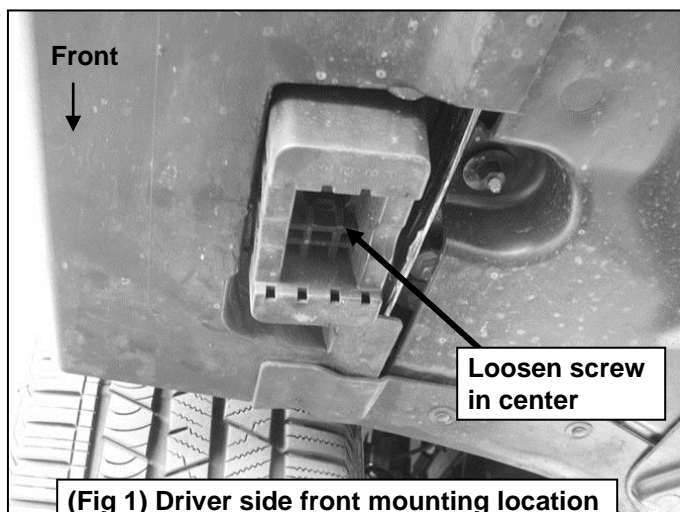


PROCEDURE:

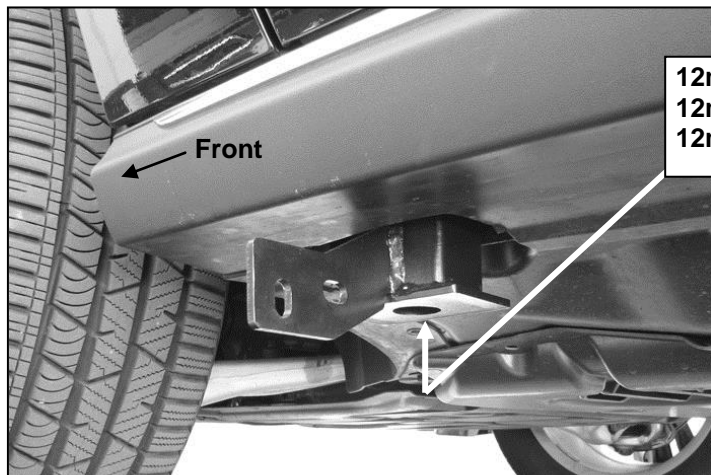
1. REMOVE CONTENTS FROM BOX. VERIFY ALL PARTS ARE PRESENT. READ INSTRUCTIONS CAREFULLY BEFORE STARTING INSTALLATION.
2. Start installation at the front of the driver side of the vehicle behind the front tire, **(Figure 1)**. Loosen the screw in the center of the plastic plug in the floor panel and remove the plug, **(Figure 2)**. **IMPORTANT:** The plastic plug is made up of (2) pieces. You must remove both pieces, **(Figure 3)**.
3. Select (1) 12mm Bolt Plate and (1) 12mm Plastic Retainer, **(Figure 4)**. Thread the Retainer part way onto the Bolt Plate. Insert the Bolt Plate into the hole in the floor panel, **(Figure 5)**. Thread the Retainer down until it is tight against the floor panel. **IMPORTANT:** The Plastic Retainer is designed to prevent the Bolt Plate from pushing up into the body panel and to aid in installing the Bracket.
4. Next, select (1) Front Bracket. Slide the Bracket over the Bolt Plate and secure in place with (1) 12mm Flat Washer, (1) 12mm Lock Washer and (1) 12mm Coupler Nut, **(Figures 6 & 7)**. Do not tighten hardware.
5. Move to the driver side rear of the vehicle and remove the plastic plug directly in front of the rear tire, **(Figure 8)**. Repeat **Steps 2 – 4** for Rear Bracket installation, **(Figure 9)**.
6. Select the driver Sidebar and carefully place it in position up to the outside of the front and rear Brackets. Line up the slots in the Brackets with the slots in the mounting tabs on the Sidebars. Bolt the Sidebar to the (2) Brackets with (4) 10mm x 30mm Hex Bolts, (8) 10mm Flat Washers and (4) 10mm Nylon Lock Nuts, **(Figure 10)**. Do not tighten hardware at this time.
7. Level and align the Sidebar to the vehicle and tighten all hardware.
8. Repeat **Steps 2 – 7** for passenger Sidebar installation.
9. Do periodic inspections to the installation to make sure that all hardware is secure and tight.

To protect your investment, wax this product after installing. Regular waxing is recommended to add a protective layer over the finish. Do not use any type of polish or wax that may contain abrasives that could damage the finish. **For stainless steel:** Aluminum polish may be used to polish small scratches and scuffs on the finish. Mild soap may be used also to clean the Sidebar. **For gloss black finishes:** Mild soap may be used to clean Sidebar.

Driver Side Installation Pictured

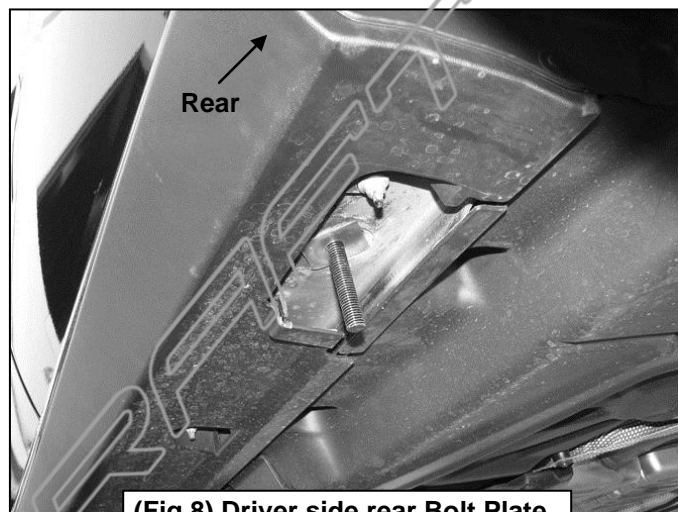


Driver Side Installation Pictured

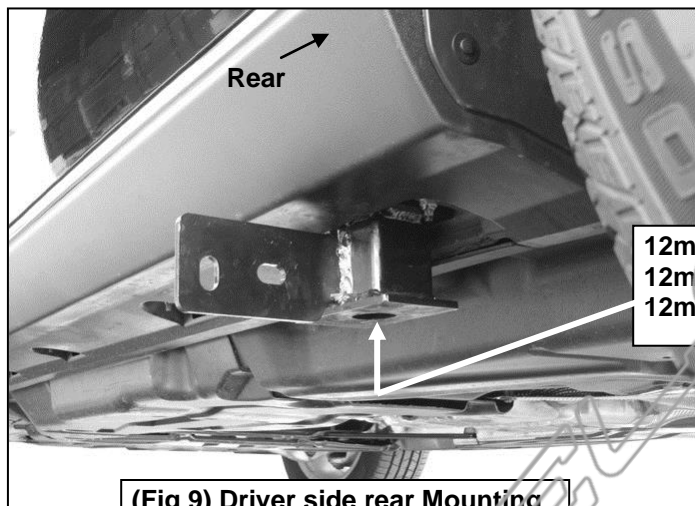


12mm Flat Washer
12mm Lock Washer
12mm Tall Coupling Nut

(Fig 7) Driver side front Mounting Bracket pictured



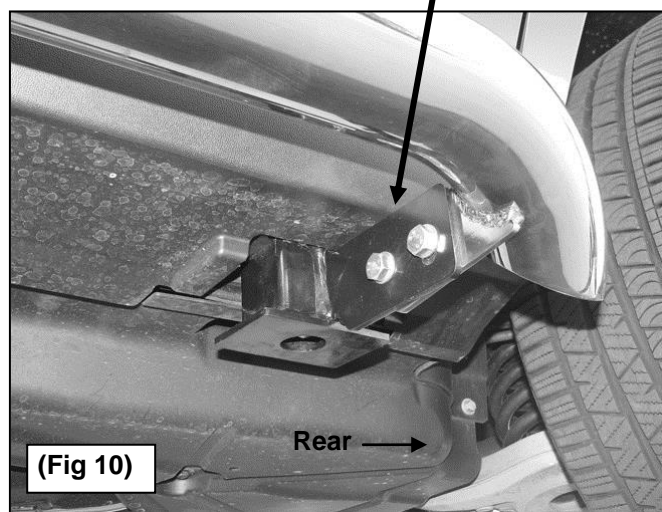
(Fig 8) Driver side rear Bolt Plate and Plastic Retainer installed



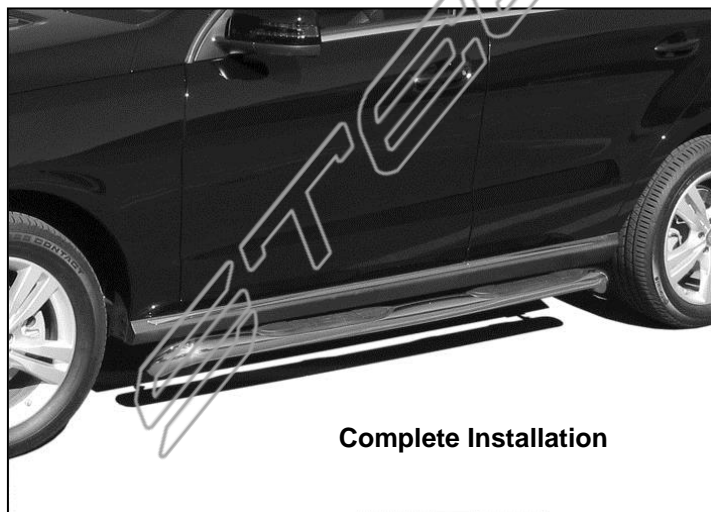
12mm Flat Washer
12mm Lock Washer
12mm Tall Coupling Nut

(Fig 9) Driver side rear Mounting Bracket installation pictured

(2) 10mm x 30mm Hex Bolts
(4) 10mm Flat Washers
(2) 10mm Nylon Lock Nuts



(Fig 10)



Complete Installation