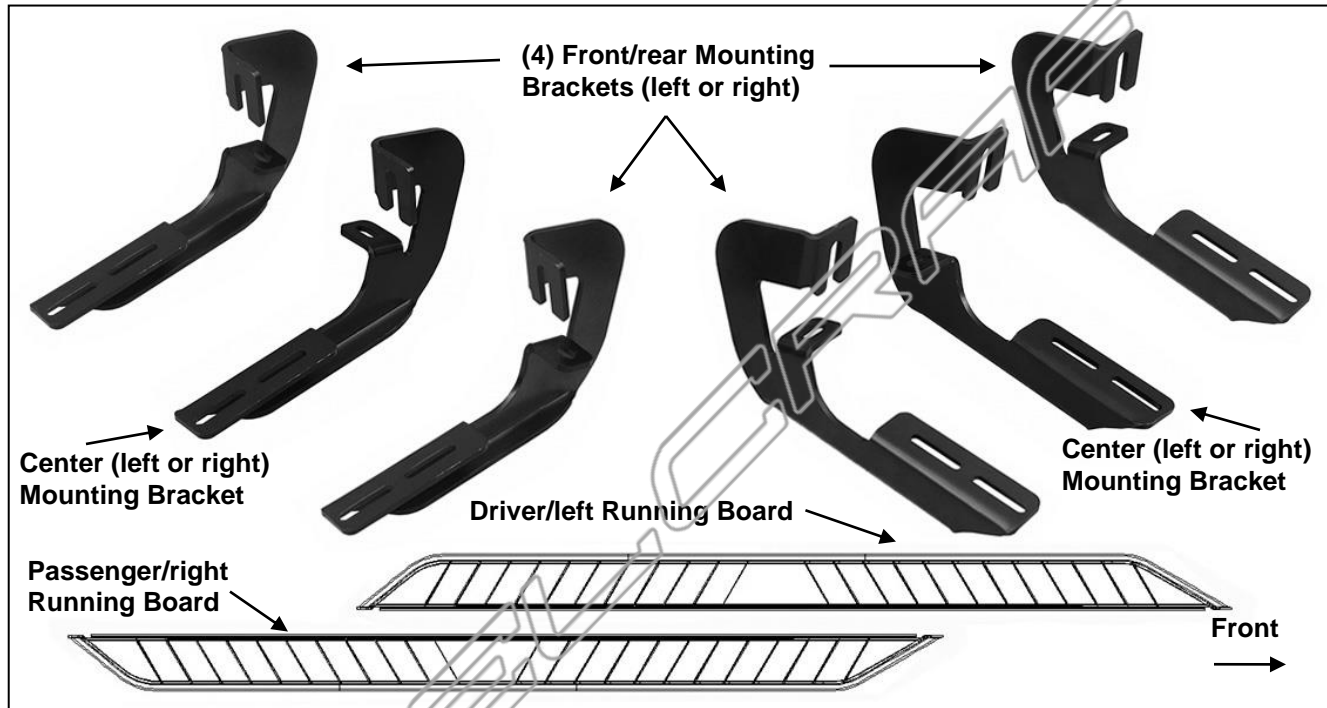


**STX300 RUNNING BOARD BRACKET KIT
09-14 FORD F-150 CREW CAB**

PARTS LIST:

Qty	Description	Qty	Description
4	Front or Rear Mounting Brackets	12	8mm Lock Washers
2	Center Mounting Brackets	12	6-1.0mm x 20mm T-Bolts
12	8mm Deep Clip Nuts	12	6mm x 22mm OD x 2mm Flat Washers
12	8-1.25mm x 25mm Hex Bolts	12	6mm Lock Washers
12	8mm x 24mm OD x 2mm STD Flat Washers	12	6mm Hex Nuts



PROCEDURE:

- REMOVE CONTENTS FROM BOX. VERIFY ALL PARTS ARE PRESENT. READ INSTRUCTIONS CAREFULLY BEFORE STARTING INSTALLATION.**
- Starting on the driver side of the vehicle, locate the (2) holes in the bottom of the body panel, (pinch weld). Next locate the rectangular opening and (2) small holes in the inner body panel directly above the holes in the pinch weld, **(Figures 1 & 2)**. Installation will use only the forward holes. **NOTE:** The holes in the inner panel may be covered with sealing tape or insulation.
- Slide (1) 8mm Clip Nut into the rectangular opening with the nut towards the inside. Line up the threaded nut on the clip with the round hole toward the front of the vehicle, **(Figure 2)**. Repeat to install an 8mm Clip Nut in forward hole in the pinch weld. **NOTE:** If necessary, hold a mounting Bracket up in position to determine correct factory mounting holes to use.
- Attach (1) Front/Rear Mounting Bracket to the (2) Clip Nuts with the included (2) 8mm Hex Bolts, (2) 8mm Lock Washers and (2) 8mm Flat Washers, **(Figures 3 & 4)**. Depending on model and year, the brake cable may be run on the inside or outside of the Bracket. Do not tighten hardware at this time.
- Next, move toward the center of the vehicle. Locate the (2) holes in the pinch weld similar to the front location, **(Figures 1 & 5)**. Locate the rectangular slot and single round hole. Repeat **Steps 2—4** to install the driver side Center Bracket, **(Figures 6 & 7)**. **IMPORTANT:** The Center Brackets are unique, **(Figure 6)**, separate the (2) Center Brackets from the (4) Front/Rear Brackets.
- Continue along the cab to the rear mounting location. Locate the last (2) mounting holes in the pinch weld towards the back of the cab, **(Figures 1 & 8)**. Slide (1) 8mm Clip Nut into the rectangular opening with the nut towards the inside. Line up the threaded nut on the clip with the round hole toward the rear of the vehicle, **(Figure 8)**. Repeat to install an 8mm Clip Nut in rear most hole in the pinch weld.
- Repeat **Step 4** for rear mounting Bracket installation, **(Figures 9 & 10)**.

**STX300 RUNNING BOARD BRACKET KIT
09-14 FORD F-150 CREW CAB**

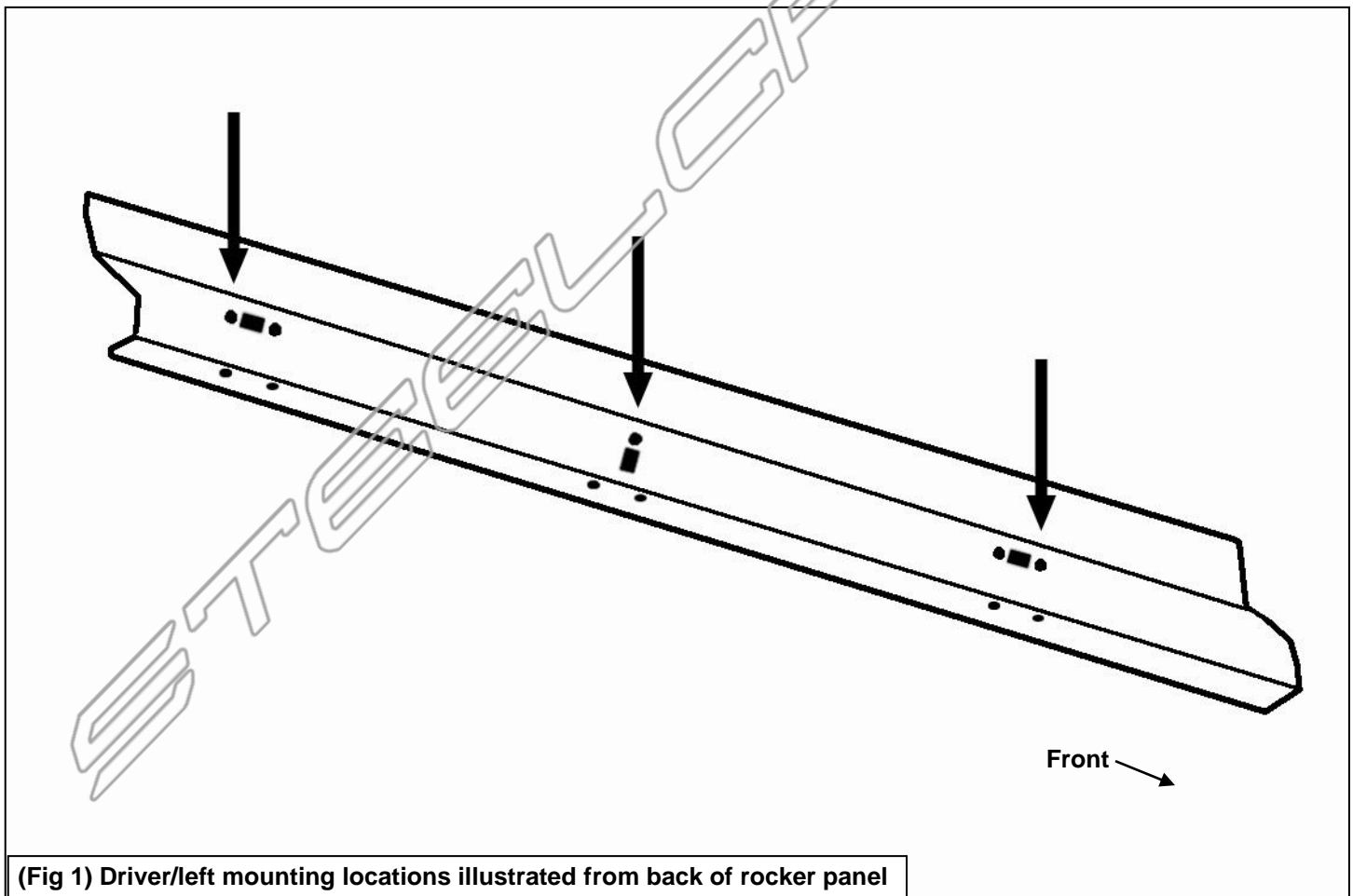
8. Carefully unwrap and select the driver side Running Board. Slide (3) T-Bolts into each channel, (**Figure 11**). Slide the T-Bolts forward or back to line up with the (3) previously installed Mounting Brackets.
9. Hold the Running Board up to the vehicle at a slight angle and gently push it into position against the end of the Brackets. Attach the Running Board to the Mounting Brackets with the included (6) 6mm Flat Washers, (6) 6mm Lock Washers and (6) 6mm Hex Nuts, (**Figures 4, 7 & 10**). Do not tighten hardware at this time.
10. Level and adjust the Running Board as desired and tighten all hardware.
11. Repeat **Steps 2—10** for the passenger side Running Board installation.
12. Do periodic inspections to the installation to make sure that all hardware is secure and tight.

To protect your investment, wax this product after installing. Regular waxing is recommended to add a protective layer over the finish. Do not use any type of polish or wax that may contain abrasives that could damage the finish.

For stainless steel: Aluminum polish may be used to polish small scratches and scuffs on the finish. Mild soap may be used also to clean the Running Board.

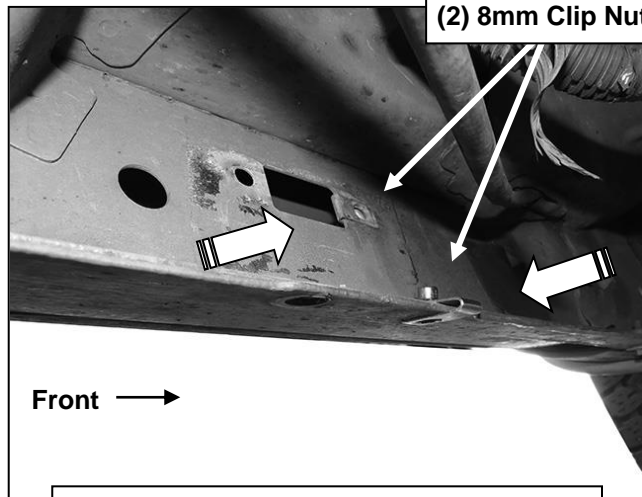
For gloss black finishes: Mild soap may be used to clean the Running Board.

Driver Side Installation Pictured

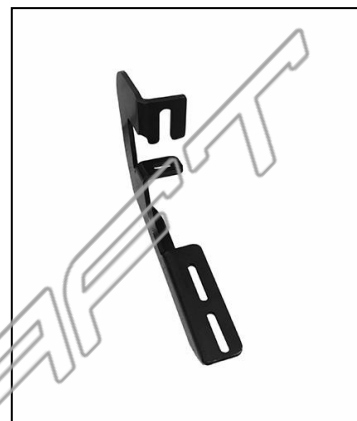


(Fig 1) Driver/left mounting locations illustrated from back of rocker panel

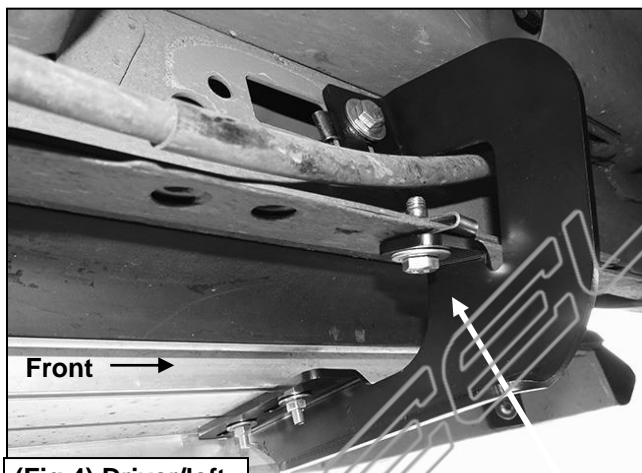
Driver Side Installation Pictured



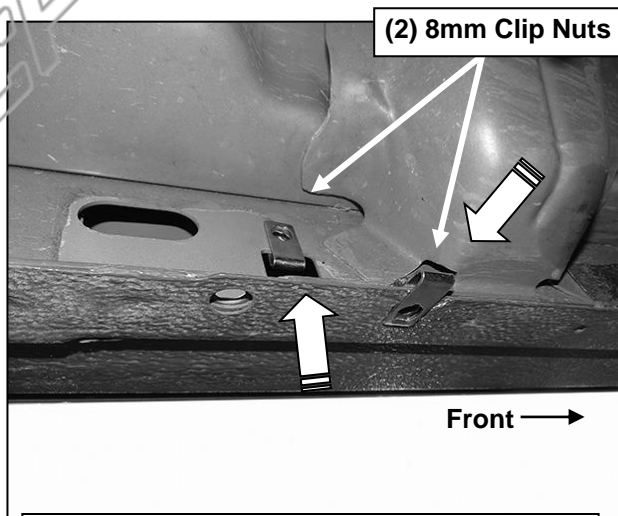
(Fig 2) Driver/left front mounting location



(Fig 3) Front/rear bracket

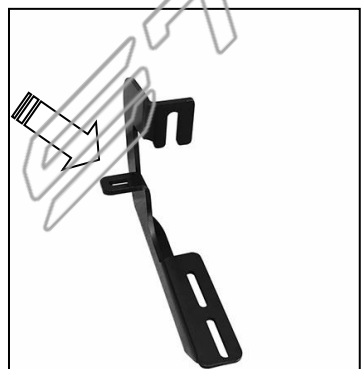


(Fig 4) Driver/left front Bracket

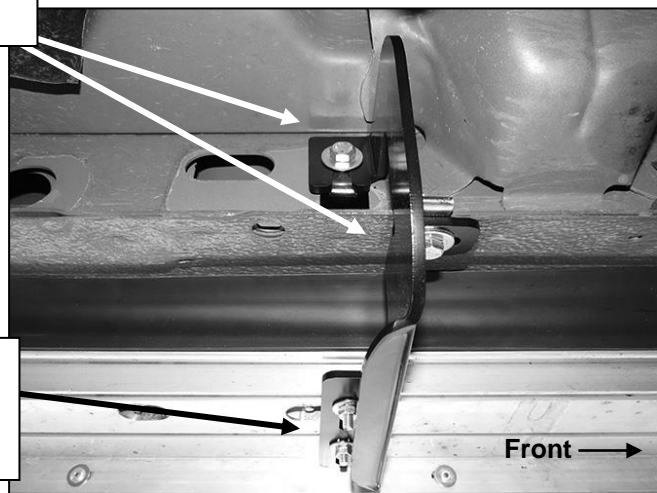


(Fig 5) Driver/left center mounting location

- (2) 8mm x 25mm Hex Bolts
- (2) 8mm Lock Washers
- (2) 8mm Flat Washers



(Fig 6) Center only bracket-note offset mounting tab

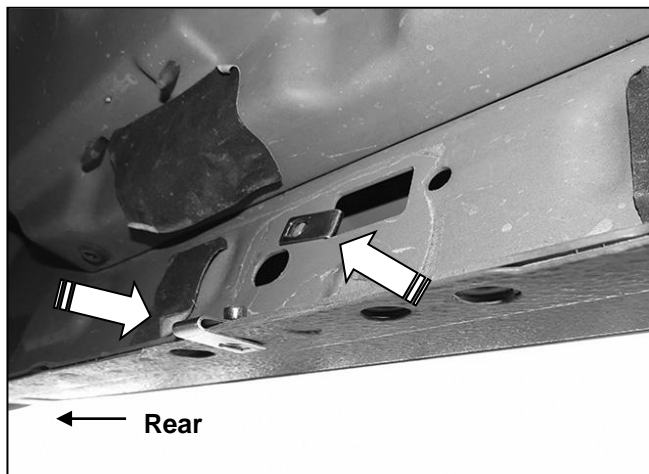


(Fig 7) Driver/left center Bracket

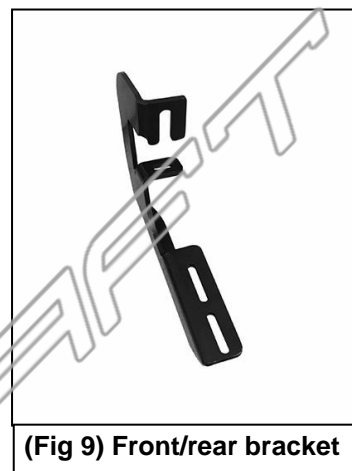
- (2) 6mm T-Bolts
- (2) 6mm Flat Washers
- (2) 6mm Lock Washers
- (2) 6mm Hex Nuts

**STX300 RUNNING BOARD BRACKET KIT
09-14 FORD F-150 CREW CAB**

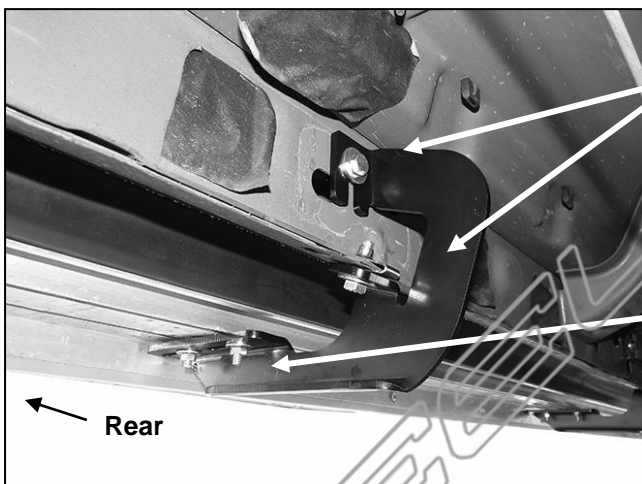
Driver Side Installation Pictured



(Fig 8) Driver/left rear mounting location pictured



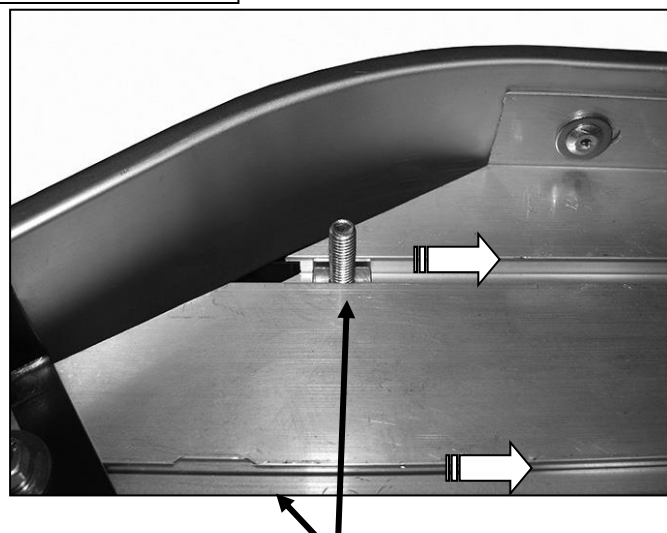
(Fig 9) Front/rear bracket



(Fig 10) Driver/left rear mounting location pictured

- (2) 8mm x 25mm Hex Bolts
- (2) 8mm Lock Washers
- (2) 8mm Flat Washers

- (2) 6mm T-Bolts
- (2) 6mm Flat Washers
- (2) 6mm Lock Washers
- (2) 6mm Hex Nuts



**(Fig 11) Slide T-Bolts into channels
in bottom of Running Board**