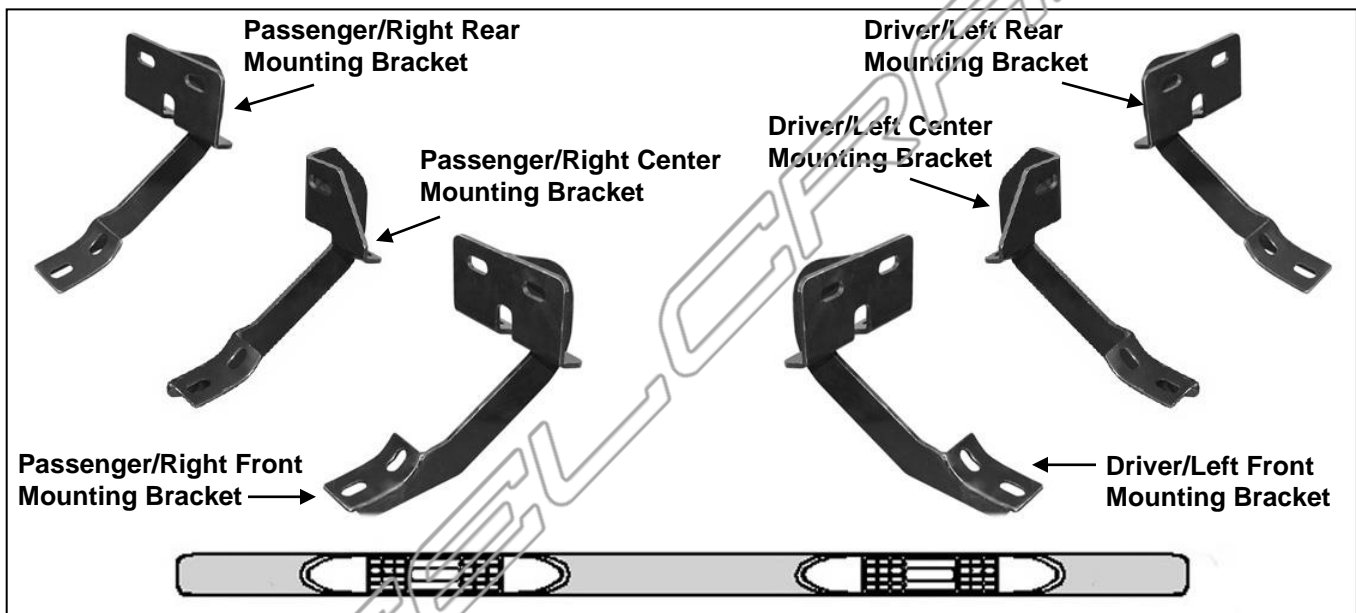


**5" STAINLESS AND ALUMINUM SIDEBARS
09-14 FORD F-150 CREW CAB**

PARTS LIST:

2	Left or right Sidebars	10	8-1.25mm x 30mm Hex Bolts
2	Driver/Left Front-Passenger/Right Rear Brackets	10	8-1.25mm x 25mm Hex Bolts
2	Passenger/Right-Driver/Left Rear Front Brackets	10	8mm x 28mm OD x 3mm Large Flat Washers
1	Driver/Left Center Mounting Bracket	32	8mm x 24mm OD x 2mm STD Flat Washers
1	Passenger/Right Center Mounting Bracket	32	8mm Lock Washers
10	8mm Deep Clip Nuts	22	8mm Hex Nuts
12	8 x 20mm T-Bolts		



PROCEDURE:

- REMOVE CONTENTS FROM BOX. VERIFY ALL PARTS ARE PRESENT. READ INSTRUCTIONS CAREFULLY BEFORE STARTING INSTALLATION.**
- Starting on the driver side, front of the vehicle, locate the (2) holes in the pinch weld. Directly above the (2) holes, locate the factory mounting holes in the inner side panel, **(Figures 1A & 1B)**. **NOTE:** The inner holes may be covered with sealing tape or insulation. Slide the 8mm Clip Nuts into the opening with the nut towards the inside. Line up the threaded nut on the clip with the round holes, **(Figure 1B)**.
- Attach the driver side front Bracket to the Clip Nuts with the included (2) 8mm x 30mm Hex Bolts, (2) 8mm Lock Washers and (2) 8mm x 28mm Large Flat Washers, **(Figure 2)**. Depending on model and year, the brake cable may be run on the inside or outside of the Bracket. Do not tighten hardware at this time. **NOTE:** The Cradle on the Front Mounting Bracket should face to the rear of the vehicle.
- Next, bolt the Bracket to the pinch weld using the included (2) 8mm x 25mm Hex Bolts, (4) 8mm STD Flat Washers, (2) 8mm Lock Washers and (2) 8mm Hex Nuts, **(Figure 2)**. **NOTE:** Insert the bolts up from the bottom of the pinch weld and through the Bracket. Tighten Bracket hardware at this time.
- Move to the center of the cab. Locate the mounting location and insert (1) 8mm Nut Clip as per **Step 2, (Figure 3)**. Select the driver side Center Mounting Bracket. **NOTE:** Cradle on center Bracket will face forward. Attach the Center Bracket to the Clip Nut with (1) 8mm x 30mm Hex

5" STAINLESS AND ALUMINUM SIDEBARS 09-14 FORD F-150 CREW CAB

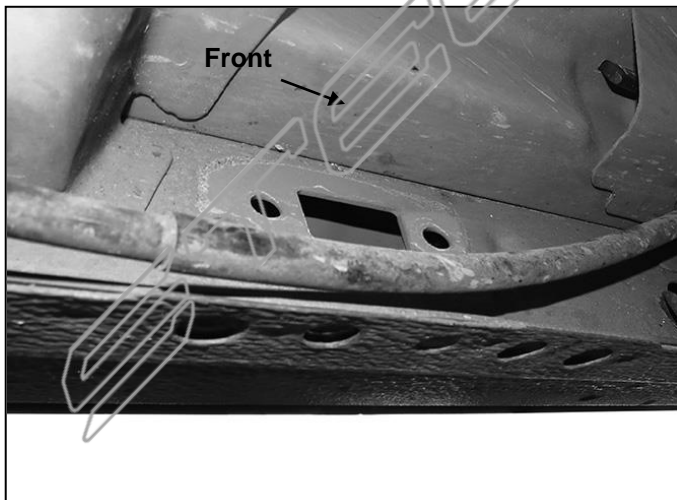
- Bolt, (1) 8mm Lock Washer and (1) 8mm x 28mm Large Flat Washer, **(Figure 4)**. Bolt the Bracket to the hole in the pinch weld with (1) 8mm x 25mm Hex Bolt, (2) 8mm STD Flat Washers, (1) 8mm Lock Washer and (1) 8mm Hex Nut. Do not tighten hardware at this time.
6. Move along the cab to the last mounting location. Repeat **Steps 2—4** to install the rear Mounting Bracket, **(Figure 5)**. **NOTE:** The cradle on the Rear Mounting Bracket will face the front of the vehicle.
 7. Select a Sidebar. **NOTE:** Uses the same Sidebar for either side of vehicle. Locate the opening in the end of the channels in the bottom of the Sidebar. Slide (3) 8mm T-Bolts into each channel, **(Figure 6)**. Carefully position the Sidebar onto the (3) Mounting Brackets. Lift the Sidebar up and slide the T-Bolts along the sidebar to match up with the Brackets. **IMPORTANT:** Do not slide, (front to back or rotate), the Sidebar on the Brackets or the finish on the Sidebar may be damaged.
 8. Line up the front of the Sidebar approximately 2" back, (or locate as desired), from the front wheel opening. Attach the Sidebar to the Mounting Brackets with (6) 8mm Flat Washers, (6) 8mm Lock Washers and (6) 8mm Hex Nuts, **(Figure 7)**. Do not tighten hardware at this time.
 9. Level and adjust the Sidebar properly and tighten all hardware.
 10. Repeat **Steps 2—9** for passenger Sidebar installation.
 11. Do periodic inspections to the installation to make sure that all hardware is secure and tight.

To protect your investment, wax this product after installing. Regular waxing is recommended to add a protective layer over the finish. Do not use any type of polish or wax that may contain abrasives that could damage the finish.

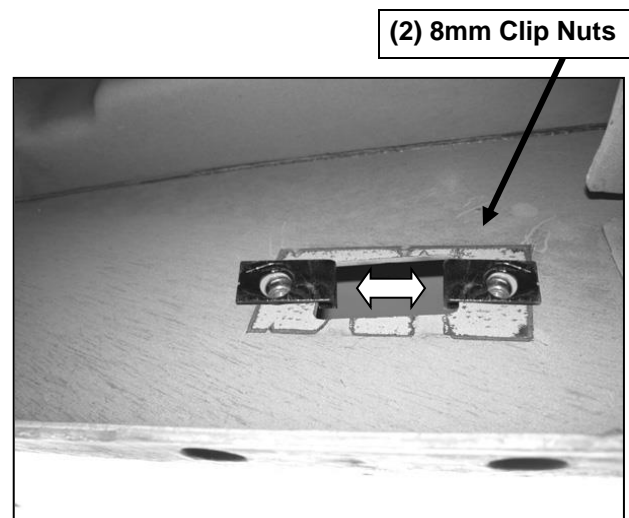
For stainless steel: Aluminum polish may be used to polish small scratches and scuffs on the finish. Mild soap may be used also to clean the Sidebar.

For gloss black finishes: Mild soap may be used to clean the Sidebar.

Driver Side Installation Pictured



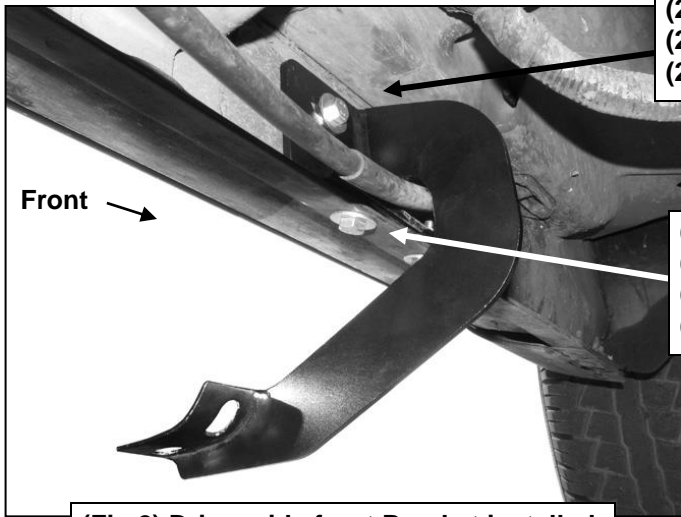
(Fig 1A) Driver side-front Mounting Bracket location



(Fig 1B) 8mm Clip Nuts (hole in body panel shown for example only-location and shape may differ slightly)

**5" STAINLESS AND ALUMINUM SIDEBARS
09-14 FORD F-150 CREW CAB**

Driver Side Installation Pictured

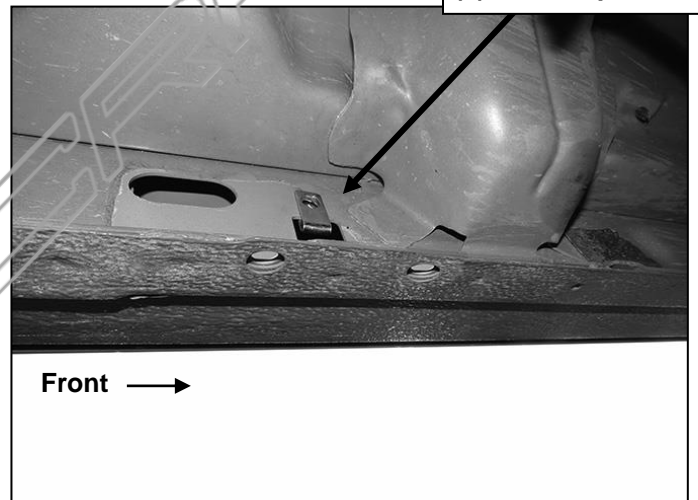


- (2) 8mm x 30mm Hex Bolts
- (2) 8mm Lock Washers
- (2) 8mm x 28mm Large Flat Washers

- (2) 8mm x 25mm Hex Bolts
- (4) 8mm STD Flat Washers
- (2) 8mm Lock Washer
- (2) 8mm Hex Nuts

- (1) 8mm Clip Nut

(Fig 2) Driver side front Bracket installed



(Fig 3) Driver side-center Mounting Bracket location

- 8mm x 30mm Hex Bolt
- 8mm Lock Washer
- 8mm x 28mm Large Flat Washer

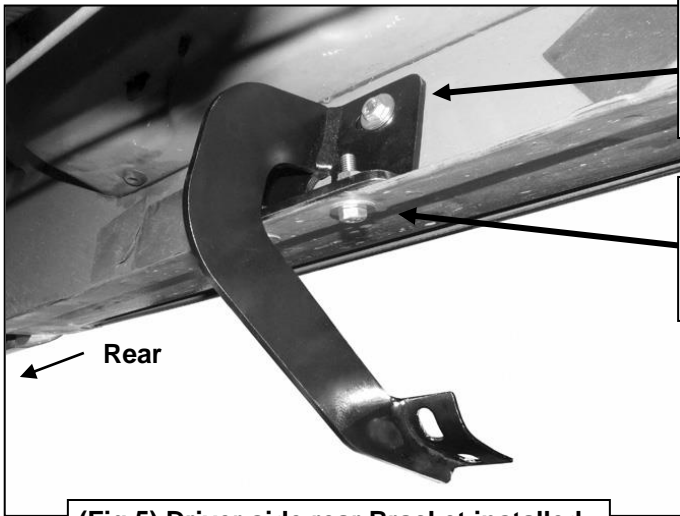


- 8mm x 25mm Hex Bolt
- (2) 8mm STD Flat Washers
- 8mm Lock Washer
- 8mm Hex Nut

(Fig 4) Driver Side Center Bracket installed

**5" STAINLESS AND ALUMINUM SIDEBARS
09-14 FORD F-150 CREW CAB**

Driver Side Installation Pictured



- (2) 8mm Clip Nuts
- (2) 8mm x 30mm Hex Bolts
- (2) 8mm Lock Washers
- (2) 8mm x 28mm Large Flat Washers

- (2) 8mm x 25mm Hex Bolts
- (4) 8mm STD Flat Washers
- (2) 8mm Lock Washers
- (2) 8mm Hex Nuts

(Fig 5) Driver side rear Bracket installed

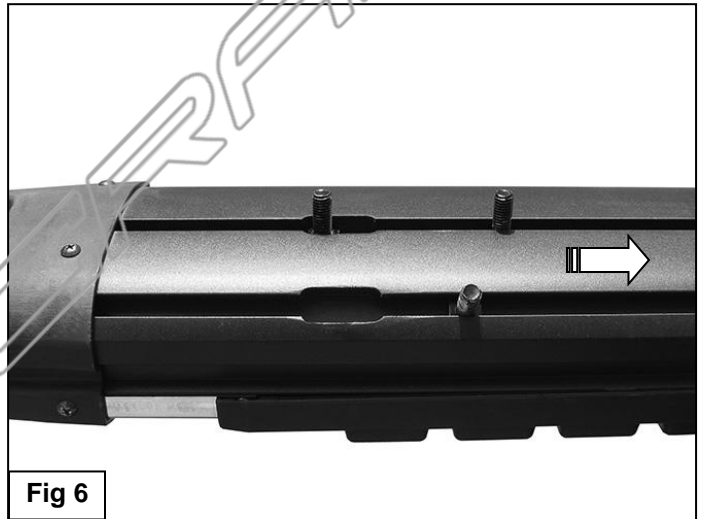


Fig 6

Slide (3) 8mm T-Bolts into each channel in bottom of Sidebar

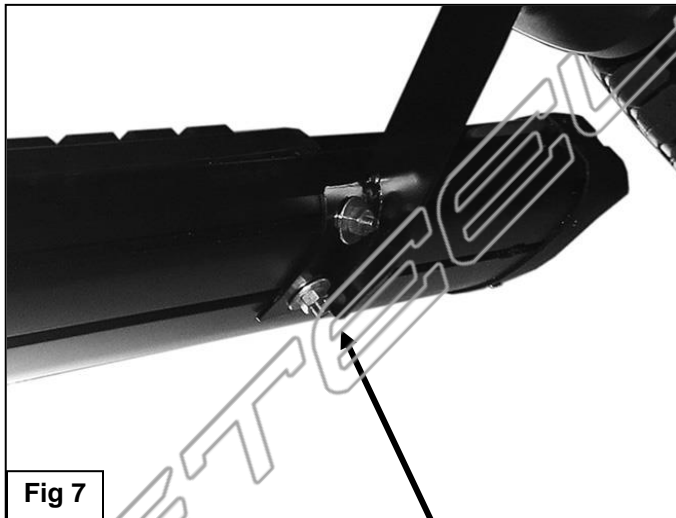


Fig 7

- (2) 8mm STD Flat Washers
- (2) 8mm Lock Washers
- (2) 8mm Hex Nuts



Complete Installation