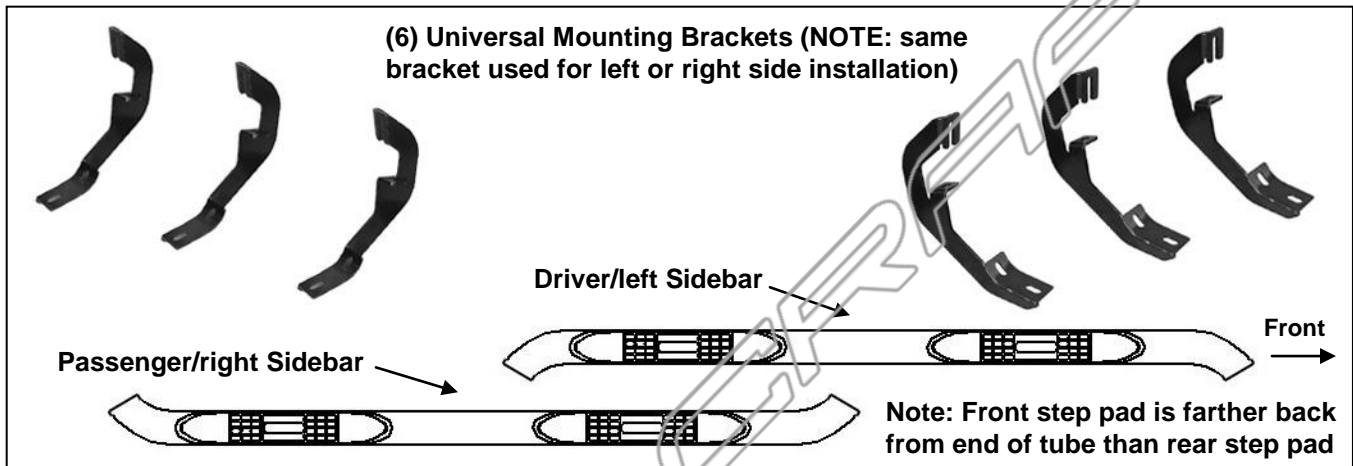


**6" STRAIGHT/BENT END SIDEBARS
ROCKER PANEL MOUNT
07-15 1500-2500-3500 SILVERADO/SIERRA CREW CAB
EXCLUDES DIESEL W/DEF**

PARTS LIST:

Qty	Description	Qty	Description
1	Driver/Left Sidebar	24	8-1.25mm x 25mm Hex Bolt
1	Passenger/Right Sidebar	24	8mm x 24mm OD x 2mm Flat Washer
6	Brackets	24	8mm Lock Washer
8	8-1.25mm Clip-On Nuts		



PROCEDURE:

REMOVE CONTENTS FROM BOX. VERIFY ALL PARTS ARE PRESENT. READ INSTRUCTIONS CAREFULLY BEFORE STARTING INSTALLATION.

1. Start the installation under the driver side of the vehicle. Locate the 5 tabs along the bottom edge of the body, (pinch weld). Mounting Brackets will bolt to the 1st, 2nd and 5th mounting tabs, **(Figure 1A)**. Directly above each tab is a top mounting location on the side of the body panel. If necessary, hold the driver Sidebar up in place to help determine the correct mounting holes to use along the body.
2. Determine the correct procedure for your model year and each Bracket location.

Bottom mounting location on the edge of the pinch weld.

Flat tab on pinch weld with hole:

Select (1) 8mm Clip Nut. Slide the Clip Nut over the tab with the nut facing up behind the tab, **(Figures 1B & 2)**. Line up threaded nut with hole in tab. Repeat for each mounting location.

Flat tab on pinch weld with factory installed threaded insert:

Thread hex bolt into insert from the backside-down to clear paint from threads as required. Use a small amount of oil if necessary, **(Figures 1C & 5)**.

Top mounting location on the side of the body panel.

Large hole in side of body panel:

Remove the rubber plug from the larger hole, **(Figure 3)**. Select (1) 8mm Clip Nut. Slide the Clip Nut into the larger hole. Line up the threaded nut with the smaller hole next to the large opening, **(Figure 4)**.

Models with factory installed threaded insert in body panel:

Thread 8mm Hex Bolt into threaded insert to clear paint as required, **(Figure 2)**.

3. Select (1) Mounting Bracket. **NOTE:** Brackets are universal and will fit left or right side. Bolt the Mounting Bracket to the Clip Nuts and/or the factory threaded holes with (2) 8mm Hex Bolts, (2) 8mm Lock Washers and (2) 8mm Flat Washers, **(Figures 5 & 6)**. Snug but do not fully tighten the hardware.
4. Repeat **Steps 1—3** for the two remaining driver side Bracket installations.
5. Carefully position the Driver Sidebar onto the (3) Mounting Brackets. Attach the Sidebar to the Mounting Brackets with (6) 8mm x 25mm Hex Bolts, (6) 8mm Lock Washers and (6) 8mm Flat Washers, **(Figure 7)**. Do not tighten hardware at this time.
6. Level and adjust the Sidebar and tighten all hardware.

**6" STRAIGHT/BENT END SIDEBARS
ROCKER PANEL MOUNT
07-15 1500-2500-3500 SILVERADO/SIERRA CREW CAB
EXCLUDES DIESEL W/DEF**

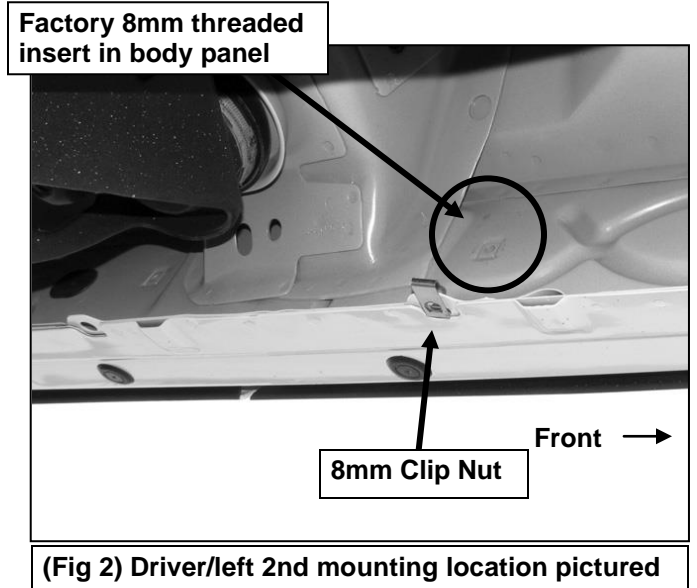
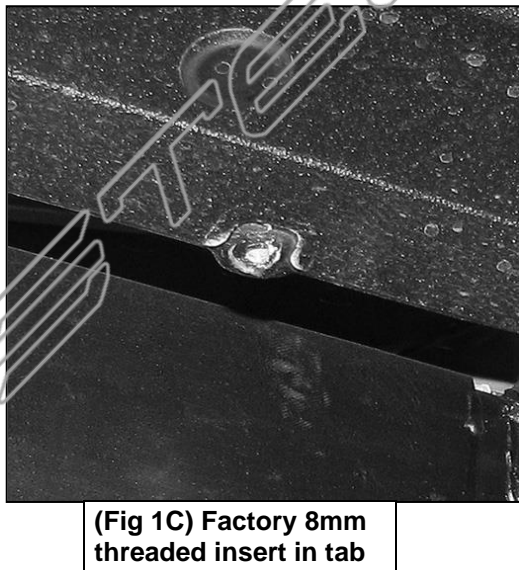
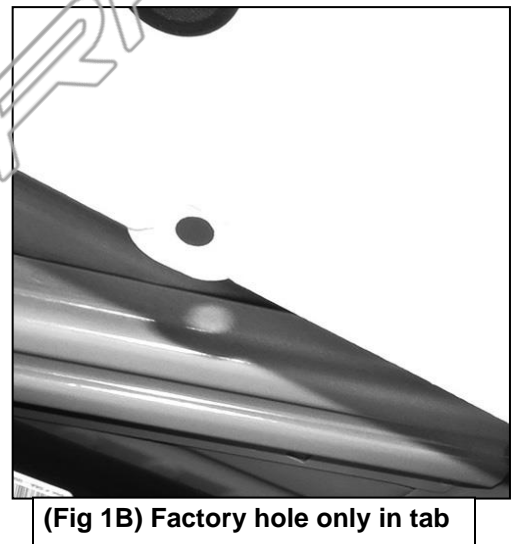
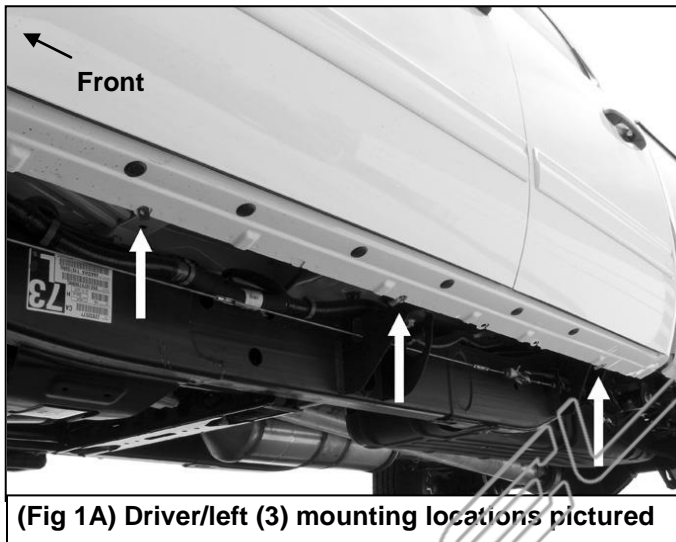
7. Repeat **Steps 2 – 6** for passenger Sidebar installation. **NOTE:** Cradles on Brackets installed on passenger side will face forward.
8. Do periodic inspections to the installation to make sure that all hardware is secure and tight.

To protect your investment, wax this product after installing. Regular waxing is recommended to add a protective layer over the finish. Do not use any type of polish or wax that may contain abrasives that could damage the finish.

For stainless steel: Aluminum polish may be used to polish small scratches and scuffs on the finish. Mild soap may be used also to clean the Sidebar.

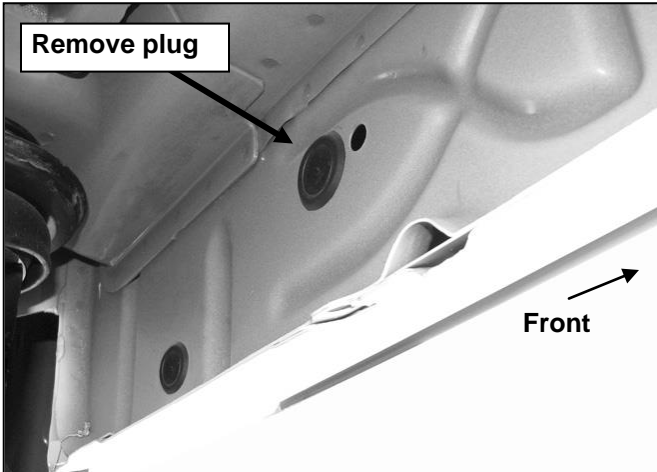
For gloss black finishes: Mild soap may be used to clean the Sidebar.

Driver Side Installation Pictured

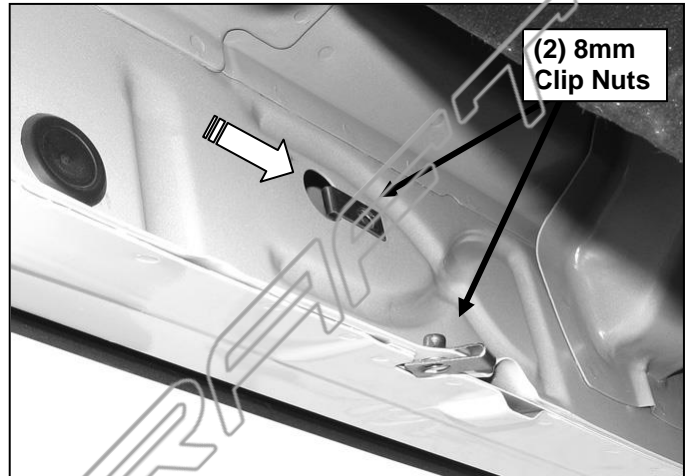


**6" STRAIGHT/BENT END SIDEBARS
ROCKER PANEL MOUNT
07-15 1500-2500-3500 SILVERADO/SIERRA CREW CAB
EXCLUDES DIESEL W/DEF**

Driver Side Installation Pictured

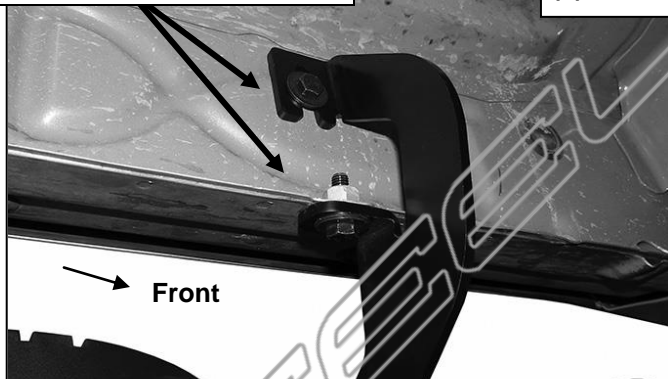


(Fig 3) Driver side rear mounting location pictured



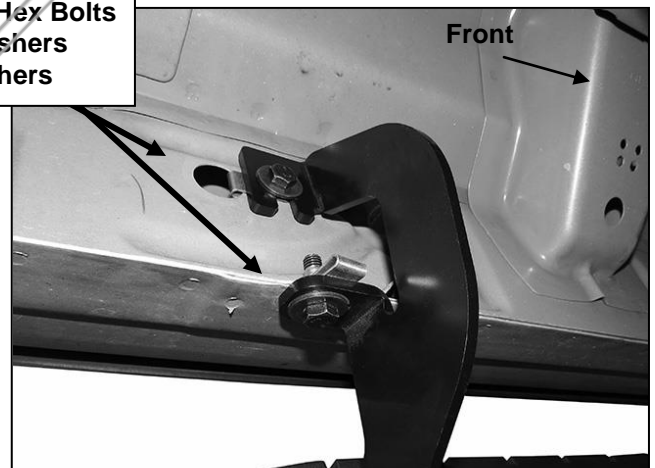
(Fig 4) Driver/left rear mounting location pictured

- (2) 8mm x 25mm Hex Bolts
- (2) 8mm Lock Washers
- (2) 8mm Flat Washers



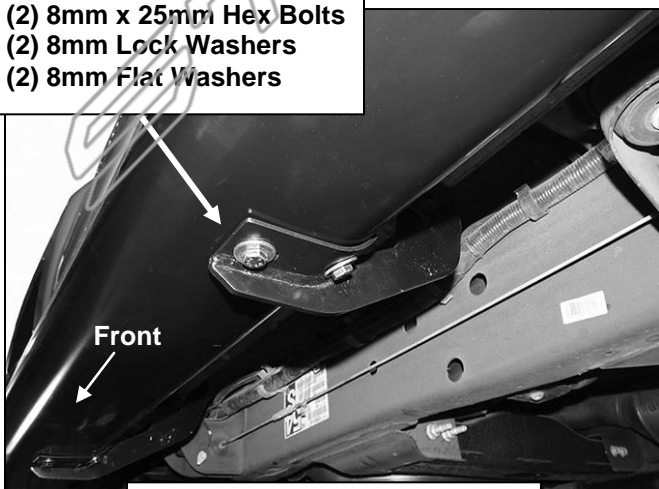
(Fig 5) Driver/left front mounting location pictured

- (2) Clip Nuts
- (2) 8mm x 25mm Hex Bolts
- (2) 8mm Lock Washers
- (2) 8mm Flat Washers



(Fig 6) Driver/left rear mounting location pictured

- (2) 8mm x 25mm Hex Bolts
- (2) 8mm Lock Washers
- (2) 8mm Flat Washers



(Fig 7) Driver/left side pictured



Complete Installation