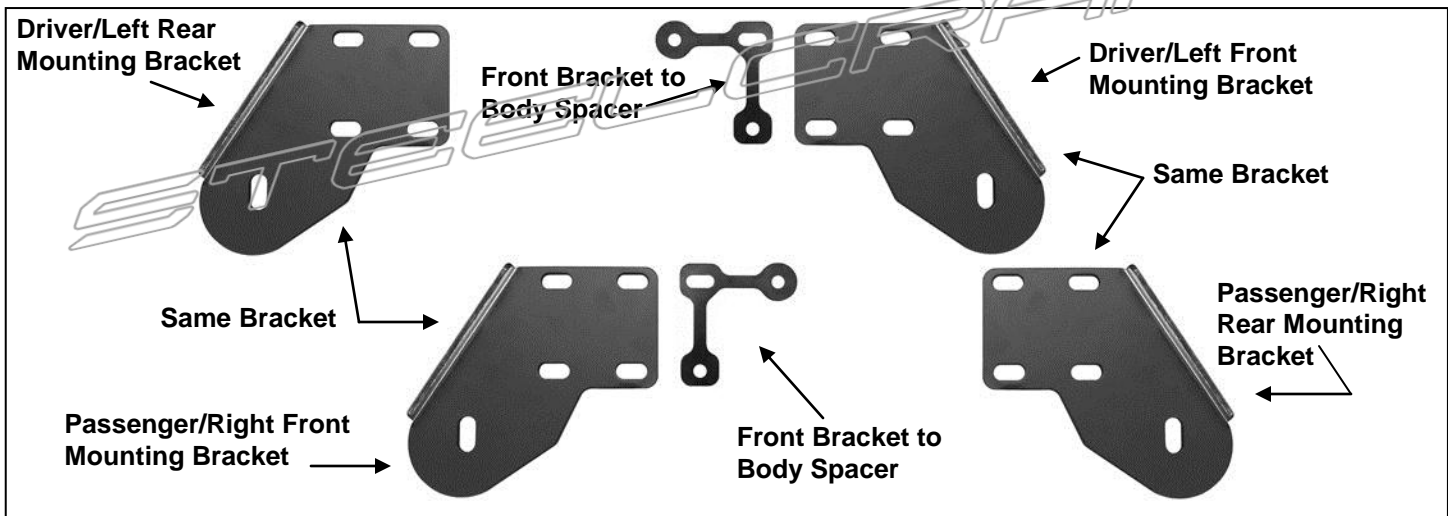


**90-DEGREE BENT END SIDEBAR
99-12 FORD F-250/450 SUPERDUTY REG, SUPER AND SUPER CREW CABS**

PARTS LIST:

1	Passenger Sidebar	4	1/2 x 1-1/2" OD x 1/8" Flat Washers
1	Driver Sidebar	6	10mm Clip Nuts
2	Driver Side Front/Passenger Side Rear Mounting Brackets	14	10-1.50mm x 40mm Hex Head Bolts
2	Driver Side Rear/Passenger Side Front Mounting Brackets	22	10mm x 27mm OD x 3mm Flat Washers
2	Front Bracket Spacers	14	10mm Lock Washers
4	1/2" x 2" Hex Bolts	8	10mm Hex Nuts
4	1/2" Lock Washers		



PROCEDURE:

- 1. REMOVE CONTENTS FROM BOX. VERIFY ALL PARTS ARE PRESENT. READ INSTRUCTIONS CAREFULLY BEFORE STARTING INSTALLATION. ASSISTANCE IS RECOMMENDED.**
- Starting on the driver side-front of the vehicle, locate the front set of factory holes in the body panel and the (2) holes in the pinch weld under the front of the front door, **(Figures 1 & 2)**. Insert (1) 10mm Clip Nut into the rectangular opening and line up the threaded hole in the Clip with the round hole next to the opening. **NOTE:** Threaded nut must go towards the inside of the body panel, **(Figures 1 & 2)**.
- Next, select (1) Front Bracket Spacer and (1) Driver Side Front Bracket. Line up the (2) holes in the Spacer with the Clip Nut and (1) hole in the pinch weld, **(Figures 3 & 4)**. Insert (1) 10mm x 40mm Hex Bolt, (1) 10mm Lock Washer and (1) 10mm Flat Washer through the top hole in the Bracket, the Spacer and into the Clip Nut, **(Figure 5)**. Leave hardware loose. Bolt the bottom of the Bracket to the pinch weld and Spacer with the included (2) 10mm x 40mm Hex Bolts, (2) 10mm Lock Washers, (4) 10mm Flat Washers and (2) 10mm Hex Nuts, **(Figure 5)**. **NOTE:** Insert Hex Bolts in from the outside, through the pinch weld and then the Bracket.
- Move to the last mounting location at the rear of the cab. Repeat **Steps 2 – 3** for Rear Mounting Bracket installation, **(Figures 6 & 7)**. **NOTE:** Each rear mounting location is made up of a rectangular hole with a round hole on each side and two holes through pinch weld, **(Figure 7)**.
- With assistance, carefully place the Sidebar into position and attach it to the Mounting Brackets using the included (2) 1/2" x 2" Hex Bolts, (2) 1/2" Lock Washers and (2) 1/2" Flat Washers, **(Figures 5 & 8)**.
- Level and align the Sidebar with the side of the vehicle then tighten all hardware.
- Repeat **Steps 2 – 6** for passenger side Mounting Bracket and Sidebar installation.
- Periodically check and retighten the hardware as necessary.

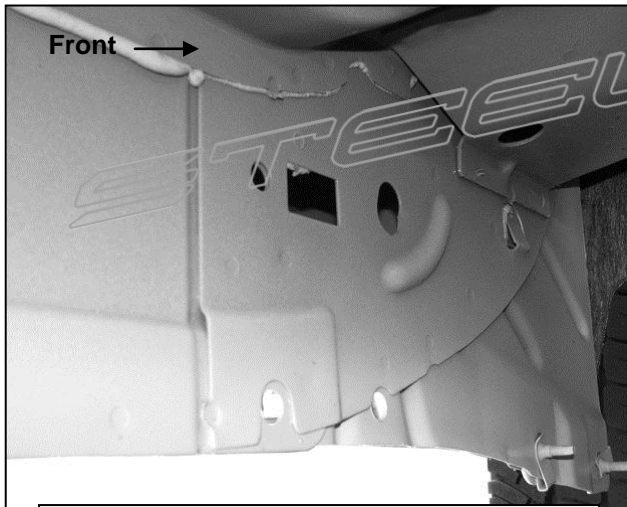
**90-DEGREE BENT END SIDEBAR
99-12 FORD F-250/450 SUPERDUTY REG, SUPER AND SUPER CREW CABS**

To protect your investment, wax this product after installing. Regular waxing is recommended to add a protective layer over the finish. Do not use any type of polish or wax that may contain abrasives that could damage the finish.

For stainless steel: Aluminum polish may be used to polish small scratches and scuffs on the finish. Mild soap may be used also to clean the Sidebar.

For gloss black finishes: Mild soap may be used to clean the Sidebar.

Driver Side Installation Pictured



(Fig 1) Driver side front mounting location

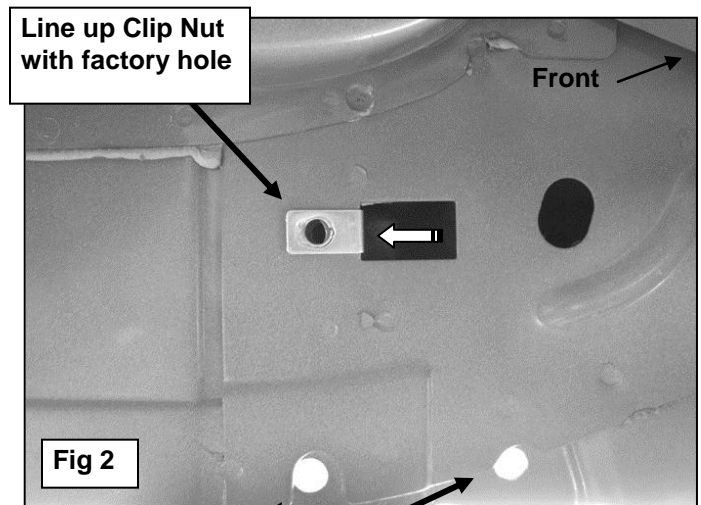
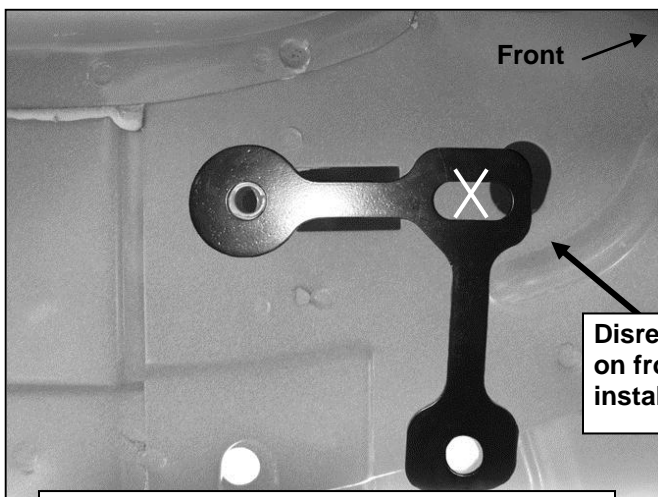


Fig 2

Back of pinch weld



(Fig 3) Front Bracket Spacer on driver side

**Disregard extra slot
on front bracket
installation**

**Spacer installs between the body
panel and front Bracket only**

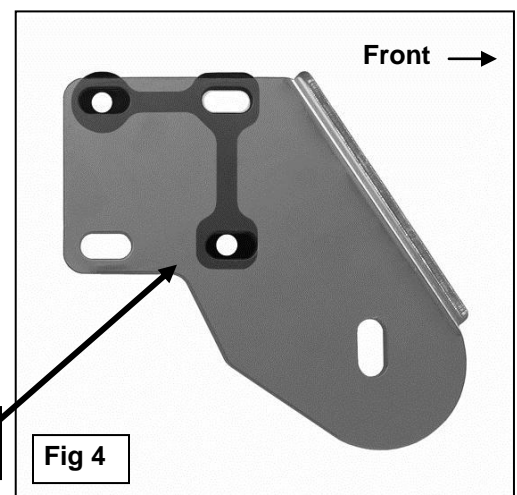


Fig 4

**90-DEGREE BENT END SIDEBAR
99-12 FORD F-250/450 SUPERDUTY REG, SUPER AND SUPER CREW CABS
Driver Side Installation Pictured**

- 10mm Clip Nut
- 10mm x 40mm Hex Bolt
- 10mm Lock Washer
- 10mm Flat Washer

Disregard extra slot on front
bracket installation

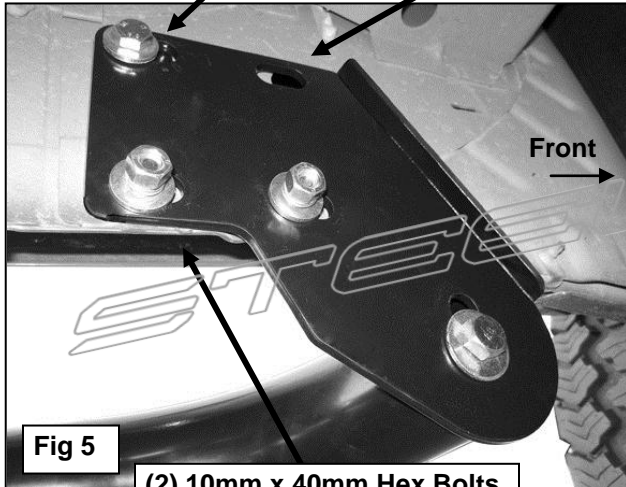
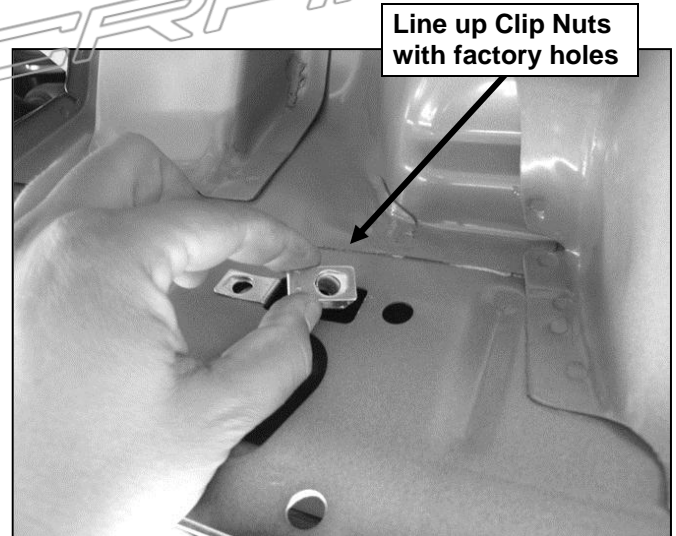


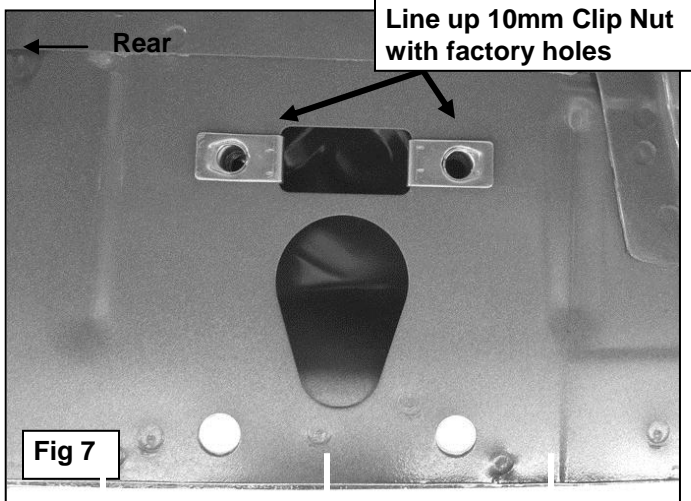
Fig 5

- (2) 10mm x 40mm Hex Bolts
- (2) 10mm Lock Washers
- (4) 10mm Flat Washers
- (2) 10mm Nuts



Line up Clip Nuts
with factory holes

(Fig 6) Example of typical rear mounting location



Line up 10mm Clip Nut
with factory holes

Fig 7

- (2) Clip Nuts
- (2) 10mm x 40mm Hex Bolts
- (2) 10mm Lock Washers
- (2) 10mm Flat Washers

- (2) 10mm x 40mm Hex Bolts
- (2) 10mm Lock Washers
- (4) 10mm Flat Washers
- (2) 10mm Nuts

- 1/2" x 2" Hex Bolts
- 1/2" Lock Washer
- 1/2" Flat Washer

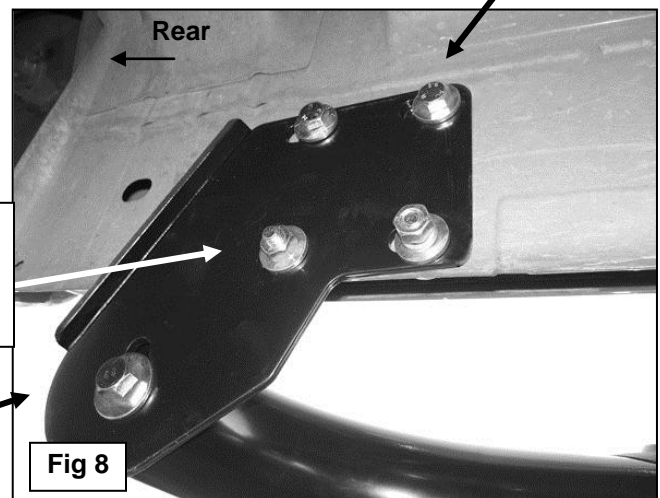


Fig 8