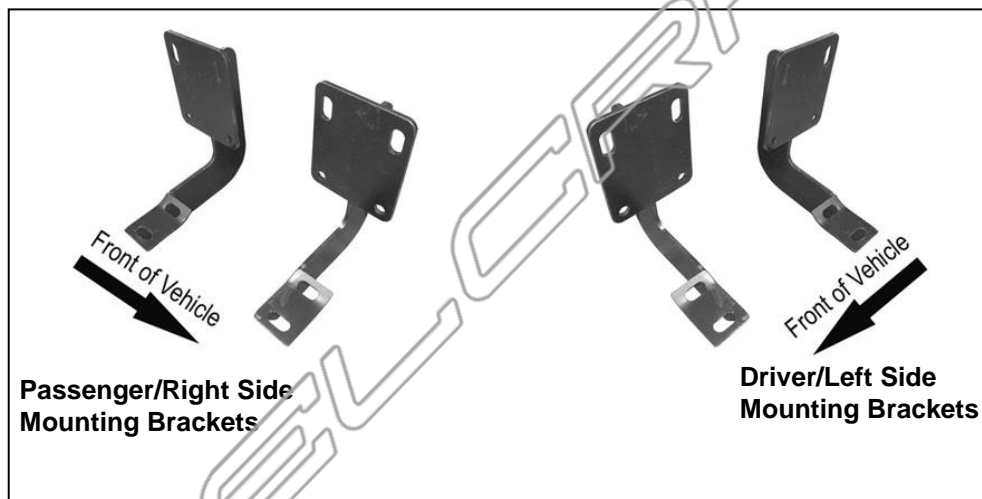


**5IN STRAIGHT OVAL SIDEBAR
99-11 FORD F-250/350 SUPERDUTY SUPER CREW CAB**

PARTS LIST:

1	Driver/Left Sidebar
1	Passenger/Right Sidebar
2	Driver/Left Mounting Brackets
2	Passenger/Right Mounting Brackets
8	8mm Clip Nuts
16	8-1.25mm x 30mm Hex Bolts
8	8-1.25mm x 25mm Hex Bolts
32	8mm ID x 24mm OD x 2mm Flat Washers
24	8mm Lock Washers
8	8mm Hex Nuts



PROCEDURE:

- 1. REMOVE CONTENTS FROM BOX. VERIFY ALL PARTS ARE PRESENT. READ INSTRUCTIONS CAREFULLY BEFORE STARTING INSTALLATION. OPTIONAL DRILLING.**
- Starting on the passenger side-front of the vehicle, locate the set of factory holes in the body panel. Each mounting location comprises of a rectangular hole with round hole to either or both sides and two holes through the pinch weld area, **(see Figures 1 & 2 for example)**.
- Select (1) 8mm Clip Nut. Insert Clip Nut into the rectangular opening and slide threaded hole towards the round hole. Line up the threaded hole in the Clip with the round hole next to the rectangular opening. **NOTE:** Threaded nut must go towards the inside of the side panel, **(Figure 1 & 2)**. **IMPORTANT:** On most models, the front mounting location will only use (1) Clip Nut. You can mount the Sidebar with three bolts or once Mounting Bracket is fully installed, use it for a template to mark and drill the fourth hole in the side panel for the additional Clip Nut. Hardware has been provided.
- Partially attach passenger side Mounting Brackets to the previously installed Clip Nuts using the included (1 or 2) 8mm x 30mm Hex Bolts, (1 or 2) 8mm Lock Washers, and (1 or 2) 8mm Flat Washers, **(Figure 3)**. **NOTE:** Cradles on the Mounting Brackets should face the front of the vehicle.
- Attach the (2) bottom holes in the Mounting Bracket to the (2) holes in the pinch weld using the included (2) 8mm x 30mm Hex Bolts, (2) 8mm Lock Washers, (4) 8mm Flat Washers and (2) 8mm Hex Nuts, **(Figure 3)**. Do not tighten hardware at this time.
- Repeat **Steps 2 – 5** for rear Mounting Bracket installation. **NOTE:** If you re not sure which sets of mounting holes to use, simply hold the passenger Sidebar up in the approximate location and line up the threaded inserts on the Sidebar with the holes in the pinch weld to determine the correct mounting location.

**5IN STRAIGHT OVAL SIDEBAR
99-11 FORD F-250/350 SUPERDUTY SUPER CREW CAB**

7. Carefully unwrap and position the Sidebar onto the Mounting Brackets. Bolt the Sidebar to the Brackets with (4) 8mm x 25mm Hex Bolts, (4) 8mm Lock Washers, and (4) 8mm Flat Washers, **(Figure 4)**. Do not tighten at this time.
8. Level and adjust Sidebar properly and tighten all hardware.
9. Repeat **Steps 2 – 8** for driver Sidebar installation.
10. Do periodic inspections to the installation to make sure that all hardware is secure and tight.

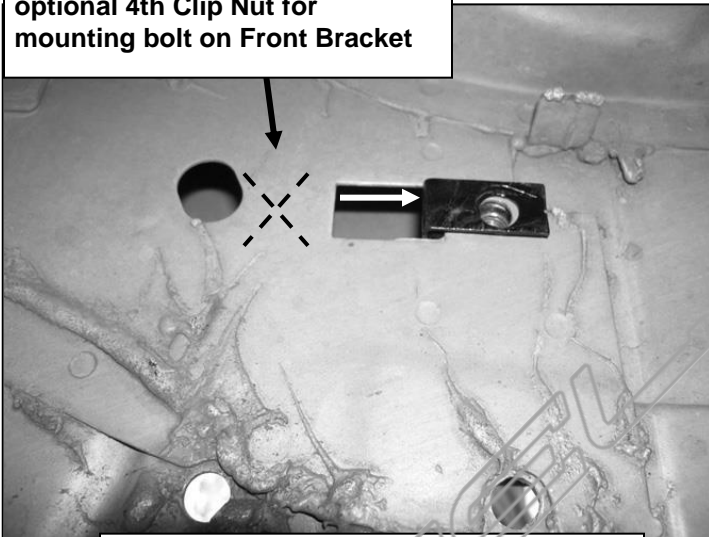
To protect your investment, wax this product after installing. Regular waxing is recommended to add a protective layer over the finish. Do not use any type of polish or wax that may contain abrasives that could damage the finish.

For stainless steel: Aluminum polish may be used to polish small scratches and scuffs on the finish. Mild soap may be used also to clean the Sidebar.

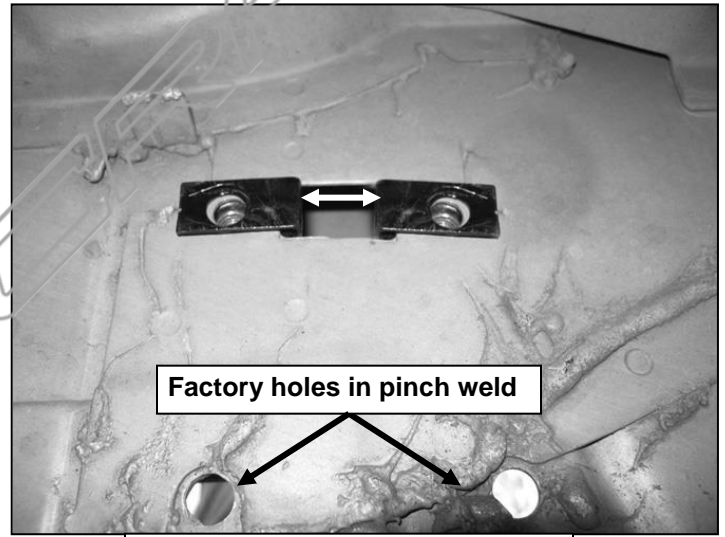
For gloss black finishes: Mild soap may be used to clean the Sidebar.

Passenger Side Installation Pictured

Drilling required here to install optional 4th Clip Nut for mounting bolt on Front Bracket



(Fig 1) Typical Front Mounting Location



(Fig 2) Rear Mounting Location

8mm Clip Nuts
8mm x 30mm Hex Bolts
8mm Lock Washers
8mm Flat Washers

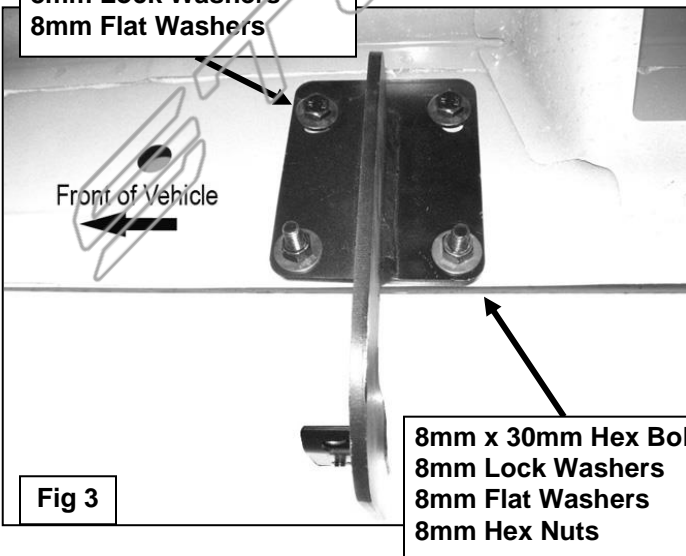


Fig 3

8mm x 25mm Hex Bolts
8mm Lock Washers
8mm Flat Washers

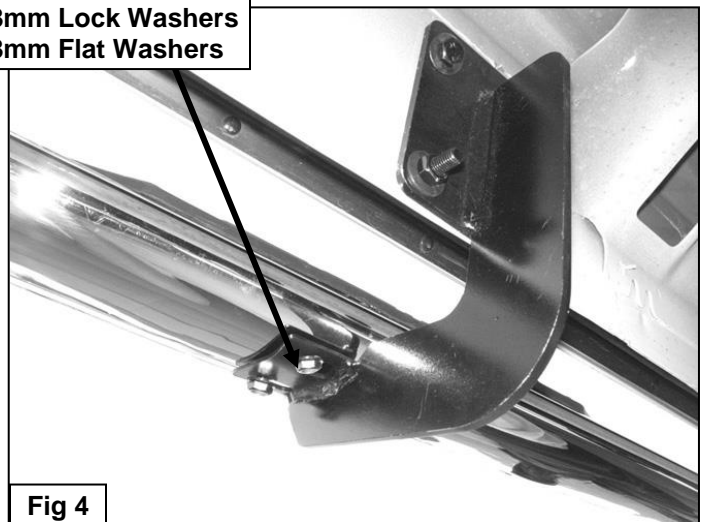


Fig 4