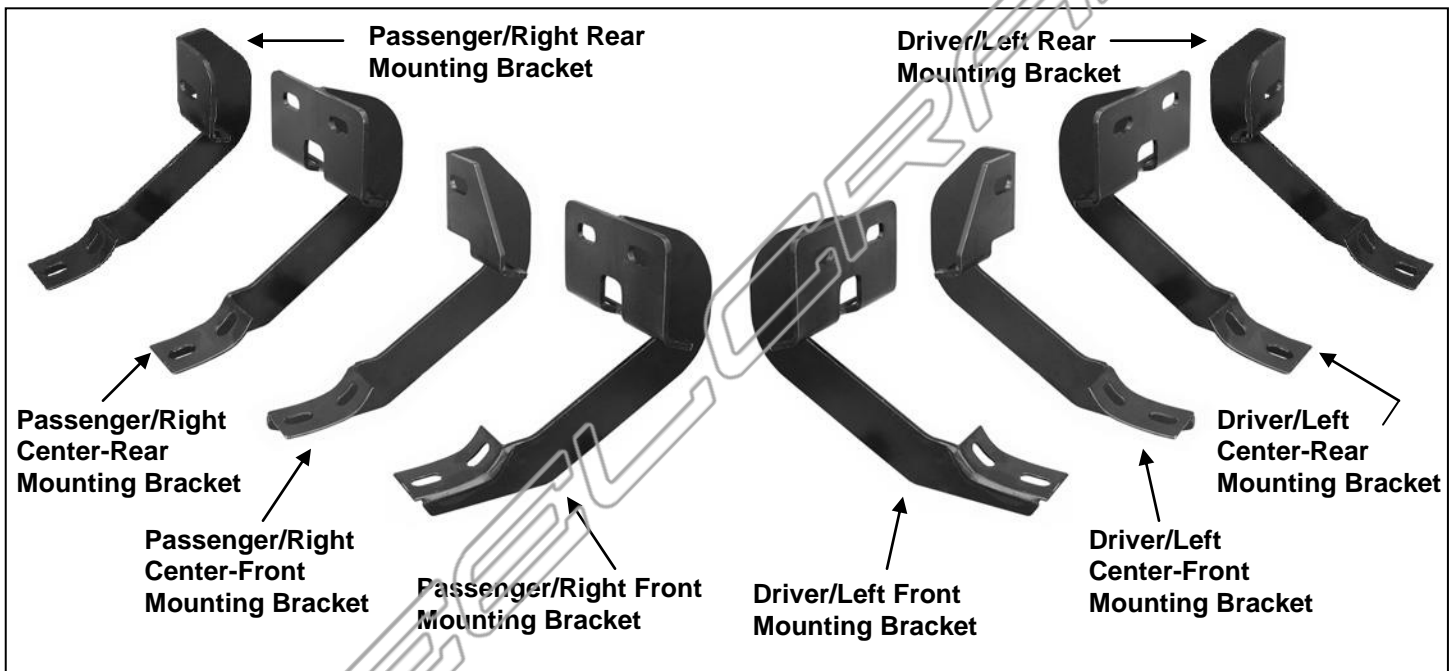


**5" WHEEL TO WHEEL SIDEBARS  
09-14 FORD F-150 CREW CAB 5-1/2FT BED**

**PARTS LIST:**

Qty	Description	Qty	Description
1	Driver/Left Side Bar	2	10-1.5mm x 30mm Hex Bolts
1	Passenger/Right Side Bar	4	10mm x 30mm x 2.5mm Flat Washers
1	Driver/Left Front Mounting Bracket	2	10mm Nylon Lock Nuts
1	Passenger/Right Front Mounting Bracket	10	8mm Clip Nuts
1	Driver/Left Front Center Mounting Bracket	10	8-1.25mm x 30mm Hex Bolts
1	Passenger/Right Front Center Mounting Bracket	28	8-1.25mm x 25mm Hex Bolts
1	Driver/Left Rear Center Mounting Bracket	38	8mm Lock Washers
1	Passenger/Right Rear Center Mounting Bracket	40	8mm x 24mm OD x 2mm Flat Washers
1	Driver/Left Rear Mounting Bracket	10	8mm x 28mm OD x 3mm Flat Washers
1	Passenger/Right Rear Mounting Bracket	12	8mm Hex Nuts



**PROCEDURE:**

- REMOVE CONTENTS FROM BOX. VERIFY ALL PARTS ARE PRESENT. READ INSTRUCTIONS CAREFULLY BEFORE STARTING INSTALLATION.**
- Starting on the driver side of the vehicle, locate the (2) holes in the pinch weld to find the factory mounting holes in the inner side panel, **(Figure 1)**. **NOTE:** The inner holes may be covered with sealing tape or insulation. Slide the 8mm Clip Nuts into the rectangular opening with the nut towards the inside. Line up the threaded nut on the clip with the round holes on each side of the opening, **(Figure 1)**.
- Partially attach the driver side front Mounting Bracket to the Clip Nuts with the included (2) 8mm x 30mm Hex Bolts, (2) 8mm Lock Washers and (2) 8mm x 28mm Large Flat Washers, **(Figure 2)**. Depending on model and year, the brake cable may be run on the inside or outside of the Bracket. Do not tighten hardware at this time. **NOTE:** The Cradle on the Front Mounting Bracket should face to the rear of the vehicle.
- Align the bottom holes in the front Mounting Bracket with the (2) holes in the pinch weld. Bolt the Bracket to the pinch weld using the included (2) 8mm x 25mm Hex Bolts, (2) 8mm Lock Washers, (4) 8mm x 24mm STD Flat Washers and (2) 8mm Hex Nuts, **(Figure 2)**. **NOTE:** Insert the bolts up from the bottom of the pinch weld and through the Bracket.
- Select the driver side Front-Center Mounting Bracket, **(Figure 4A)**. Locate the mounting location and insert (1) 8mm Clip Nut as per **Step 2, (Figure 3)**. Secure the Front-Center Bracket to the Clip Nut with (1) 8mm x 30mm Hex Bolt, (1) 8mm Lock Washer and (1) 8mm x 28mm Large Flat Washer, **(Figure 4B)**. Line up the (1) lower hole in the Bracket with the hole in the pinch weld. Bolt the Bracket to the

**5" WHEEL TO WHEEL SIDEBARS  
09-14 FORD F-150 CREW CAB 5-1/2FT BED**

pinch weld with (1) 8mm x 25mm Hex Bolt, (1) 8mm Lock Washer, (2) 8mm STD Flat Washers and (1) 8mm Hex Nut. Do not tighten hardware at this time. **NOTE:** The cradle on the Front-Center Mounting Bracket should face the front of the vehicle.

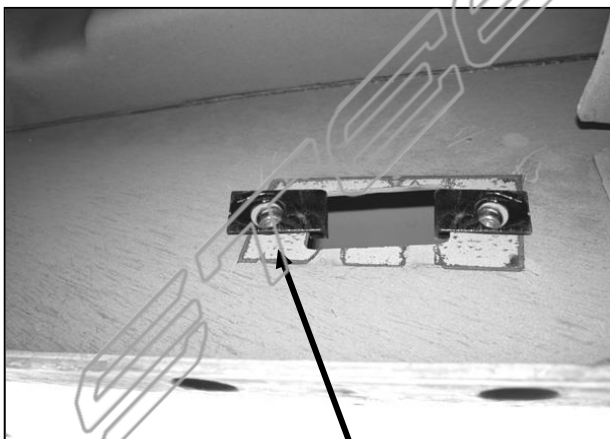
6. Repeat **Steps 2 – 4** for the driver side Rear-Center Mounting Bracket installation. **NOTE:** The cradle on the Rear-Center Bracket should face the front of the vehicle, (**Figure 5**). The mounting holes will be the last pair in the pinch weld towards the rear of the cab. Do not tighten hardware at this time.
7. Next, move to the very end of the cab and locate the round hole in the bottom corner of the body panel, (**Figure 6**). Select the driver side Rear Bracket, (**Figure 7A**). Bolt the Rear Bracket to the mounting hole with (1) 10mm x 30mm Hex Bolt, (2) 10mm Flat Washers and (1) 10mm Nylon Lock Nut, (**Figures 7B & 8**). Do not tighten hardware at this time.
  - a. **Optional Drilling:** The Rear Bracket has an additional hole on the bottom of the plate where the Bracket rests on the pinch weld. Use the Bracket as a guide and drill a 3/8" hole through the Bracket and pinch weld, (**Figure 9**). Bolt the Bracket to the pinch weld with (1) 8mm x 25mm Hex Bolt, (1) 8mm Lock Washer, (2) 8mm STD Flat Washers and (1) 8mm Hex Nut. Do not tighten hardware at this time.
8. Carefully position the Sidebar onto the four Mounting Bracket cradles and attach it using the included (8) 8mm x 25mm Hex Bolts, (8) 8mm Lock Washers and (8) 8mm STD Flat Washers, (**Figures 8 & 10**). Do not tighten hardware at this time.
9. Level and adjust the Sidebar properly and tighten all hardware.
10. Repeat **Steps 2 – 9** for passenger Sidebar installation.
11. Do periodic inspections to the installation to make sure that all hardware is secure and tight.

**To protect your investment,** wax this product after installing. Regular waxing is recommended to add a protective layer over the finish. Do not use any type of polish or wax that may contain abrasives that could damage the finish.

**For stainless steel:** Aluminum polish may be used to polish small scratches and scuffs on the finish. Mild soap may be used also to clean the Sidebar.

**For gloss black finishes:** Mild soap may be used to clean the Sidebar.

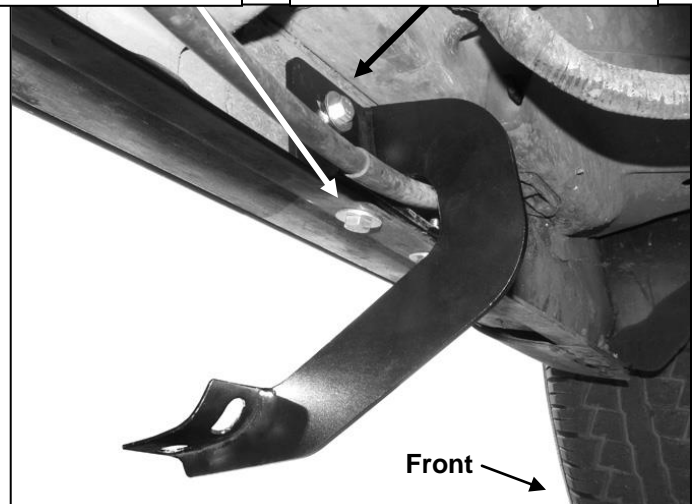
**Driver Side Installation Pictured**



(Fig 1) 8mm Clip Nuts (hole in body panel shown for example only-location and shape may differ slightly)

(2) 8mm x 25mm Hex Bolts  
(2) 8mm Lock Washer  
(4) 8mm STD Flat Washers  
(2) 8mm Hex Nuts

(2) 8mm Clip Nuts  
(2) 8mm x 30mm Hex Bolts  
(2) 8mm Lock Washers  
(2) 8mm x 28mm Large Flat Washers



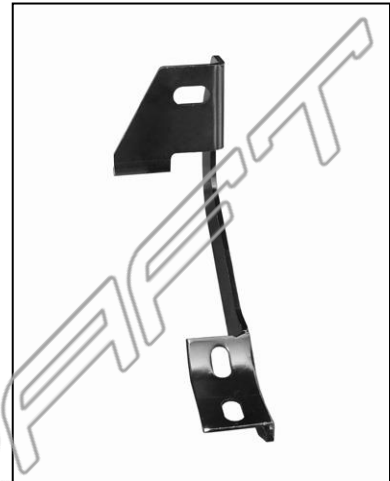
(Fig 2) Driver side-front Mounting Bracket location

5" WHEEL TO WHEEL SIDEBARS  
09-14 FORD F-150 CREW CAB 5-1/2FT BED

Driver Side Installation Pictured

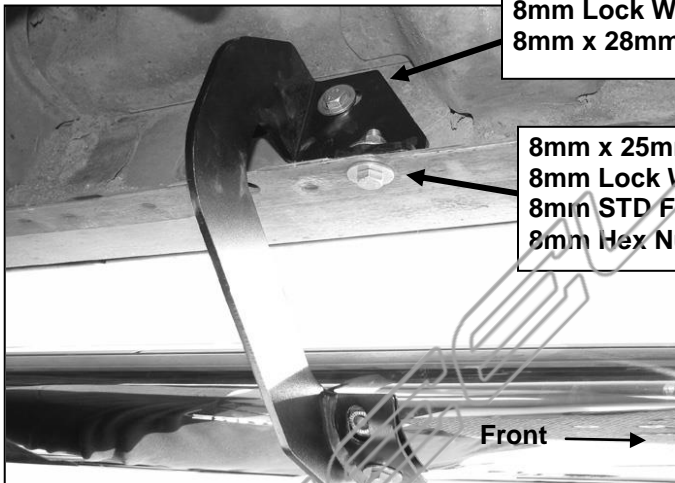


(1) 8mm Clip Nut



(Fig 4A) Driver Side Center-Front Mounting Bracket

(Fig 3) Driver Side Center-Front Mounting Bracket

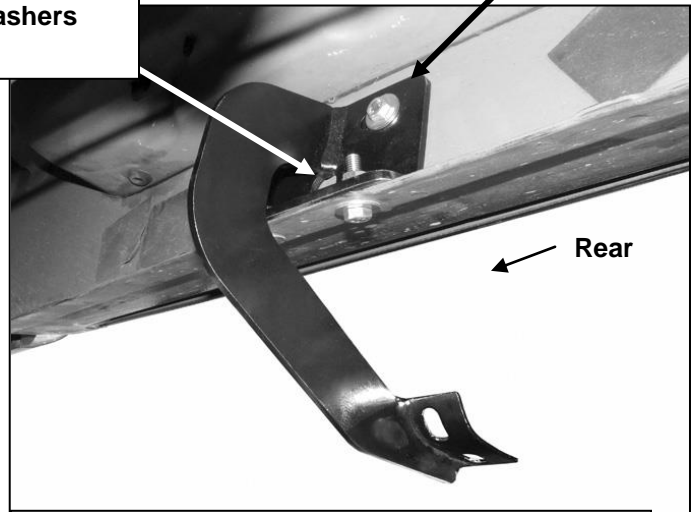


8mm x 30mm Hex Bolt  
8mm Lock Washer  
8mm x 28mm Large Flat Washer

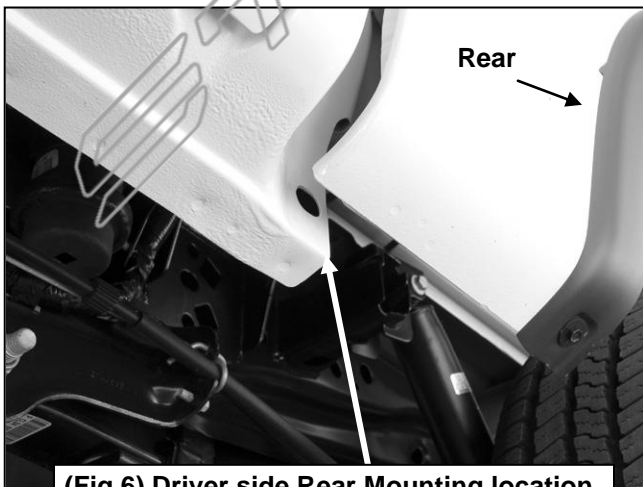
8mm x 25mm Hex Bolt  
8mm Lock Washer  
8mm STD Flat Washers  
8mm Hex Nut

(2) 8mm Clip Nuts  
(2) 8mm x 30mm Hex Bolts  
(2) 8mm Lock Washers  
(2) 8mm x 28mm Large Flat Washers

(Fig 4B) Driver Side Center-Front Mounting Bracket



(Fig 5) Driver side Center-Rear Mounting Bracket



(Fig 6) Driver side Rear Mounting location

5" WHEEL TO WHEEL SIDEBARS  
09-14 FORD F-150 CREW CAB 5-1/2FT BED

Driver Side Installation Pictured

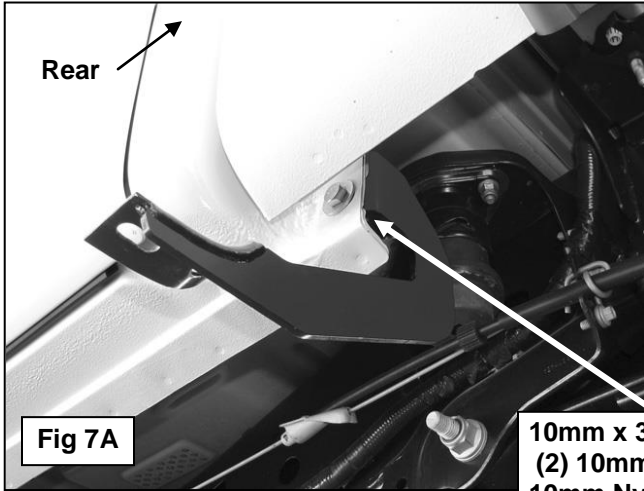


Fig 7A

10mm x 30mm Hex Bolt  
(2) 10mm Flat Washers  
10mm Nylon Lock Nut

Driver side Rear  
Mounting Bracket

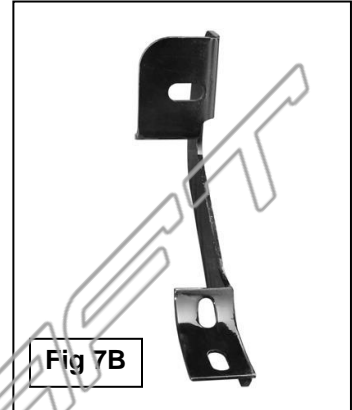


Fig 7B

OPTIONAL: Carefully drill 3/8" hole from backside through Bracket and rocker panel

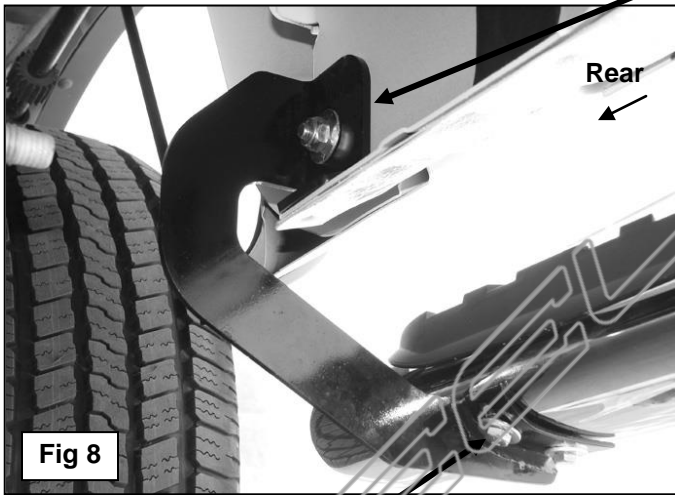


Fig 8

(2) 8mm x 25mm Hex Bolts  
(2) 8mm Lock Washer  
(2) 8mm STD Flat Washers

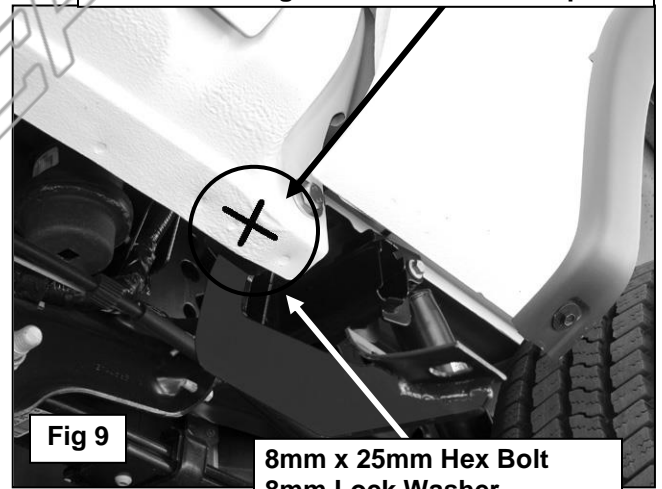


Fig 9

8mm x 25mm Hex Bolt  
8mm Lock Washer  
8mm STD Flat Washers  
8mm Hex Nut

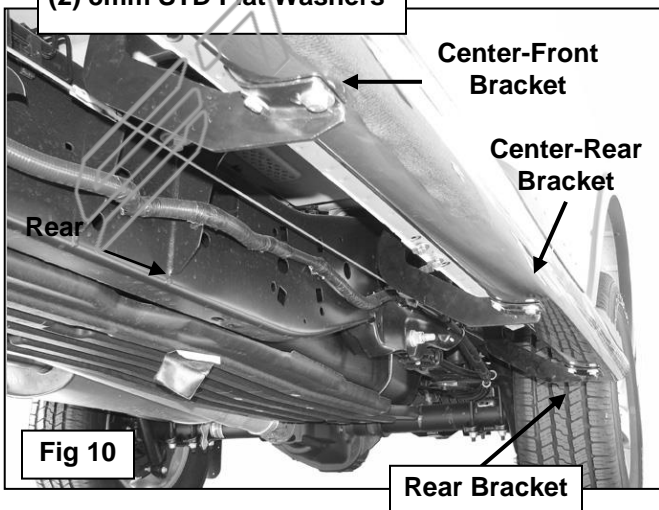


Fig 10



Complete Installation