

INSTALLATION INSTRUCTIONS

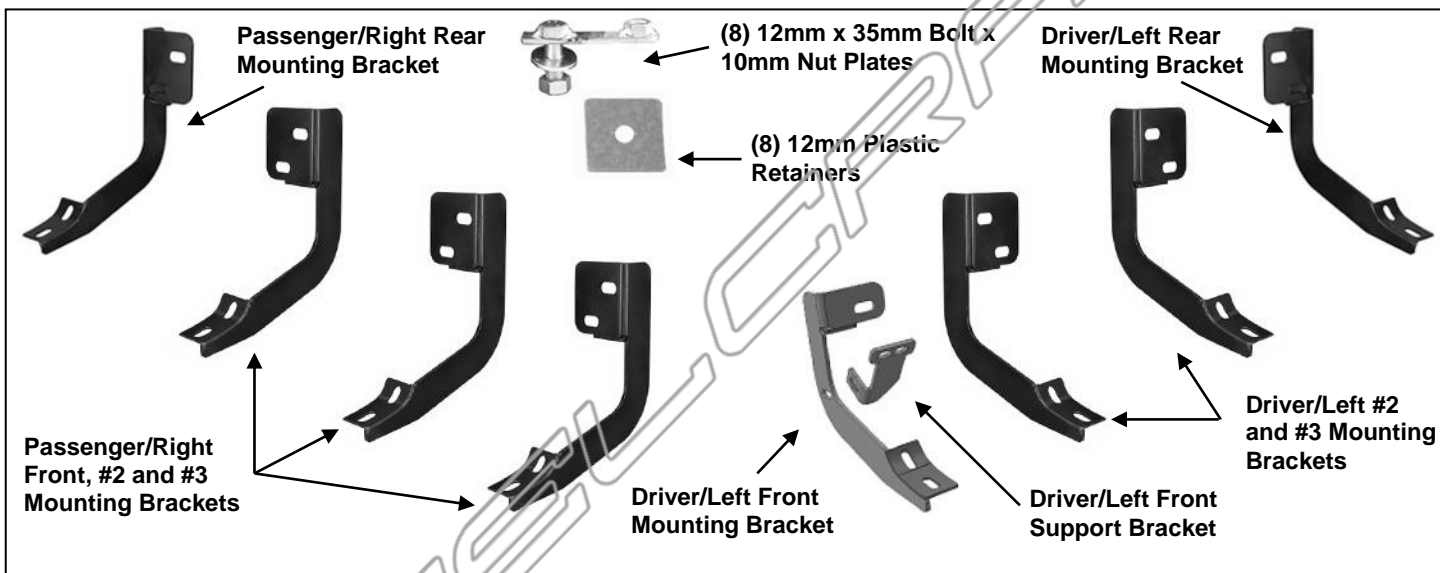
5" OVAL WHEEL TO WHEEL SIDEBARS

10-15 DODGE RAM 25-3500 MEGA CAB 6-1/2FT BED

STEELERRAFT

PARTS LIST:

1	Driver/Left Sidebar	8	10-1.5mm x 35mm Hex Bolts
1	Passenger/Right Sidebar	8	10mm x 27mm OD x 3mm Flat Washers
1	Driver Front Mounting Bracket	8	10mm Lock Washers
1	Driver Support Bracket	7	8-1.25mm x 30mm Hex Bolts
2	Driver/Left #2 & #3 Mounting Brackets	16	8-1.25mm x 25mm Hex Bolts
3	Passenger/Right Front, #2 & #3 Mounting Brackets	24	8mm x 24mm x 2mm Flat Washers
1	Driver/Left Rear Mounting Bracket	22	8mm Lock Washers
1	Passenger/Right Rear Mounting Bracket	1	8mm Nylon Lock Nut
8	12mm Plastic Retainers	7	8mm-1.25 x 30 Hex Bolt
8	12mm x 35mm Bolt x 10mm Nut Plates	4	6mm x 22mm x 2mm Flat washer
7	12mm x 32mm OD x 3mm Flat Washers	2	6mm x 25mm Hex Bolt
7	12mm Lock Washers	2	6mm Nylon Lock Nut
7	12mm Hex Nuts		



PROCEDURE:

- REMOVE CONTENTS FROM BOX. VERIFY ALL PARTS ARE PRESENT. READ INSTRUCTIONS CAREFULLY BEFORE STARTING INSTALLATION. DRILLING MAY BE REQUIRED.**
- Starting at the driver side-front of the vehicle, remove the sealing tape covering the factory holes on the side of the inner panel, **(Figure 1)**.
- Determine the correct procedure to attach the driver side front Bracket for your model/year:
Models without factory threaded inserts in body panel:
 - Partially thread a 12mm Plastic Retainer onto the threaded end of a 12mm Bolt and Nut Plate, **(Figure 2)**. Insert the Bolt and Nut Plate into the oval hole and tighten the Plastic Retainer, **(Figure 3)**. **NOTE:** The Plastic Retainer is designed to keep the Bolt/Nut Plate from falling into the body panel and to aid in Bracket installation.
 - Select the driver side front Mounting Bracket, **(Figure 5)**. Rotate the 12mm Bolt and Nut plate until the threaded nut lines up with the hole in the Mounting Bracket and body, **(Figure 3)**. Attach the Bracket to the threaded Nut Plate with (1) 10mm x 35mm Hex Bolt, (1) 10mm Lock Washer and (1) 10mm Flat Washer, **(Figures 5 & 7)**. Do not fully tighten hardware at this time.**Models with factory threaded inserts:**
 - Attach the driver side Front Bracket to the threaded insert with (1) 8mm x 30mm Hex Bolt, (1) 8mm Lock Washer and (1) 8mm Flat Washer, **(Figures 4, 5 & 7)**. Leave hardware loose.
- Next, select the driver side front Support Bracket. Attach the Bracket to the back of the front Bracket with (1) 8mm x 30mm Hex Bolt, (2) 8mm Flat Washers and (1) 8mm Nylon Lock Nut, **(Figures 5 & 7)**. Rotate the Support Bracket to the back of the pinch weld. Line up the slot in the top of the Support Bracket with the (2) factory holes in the pinch weld. Attach the Bracket to the pinch weld with (2) 6mm Hex Bolts, (4) 6mm Flat Washers and (2) 6mm Nylon Lock Nuts, **(Figures 6 & 7)**. Do not fully tighten

hardware at this time. **IMPORTANT:** 2009-10 models are not equipped with factory holes and will require drilling through the pinch weld to attach the Support Bracket. Do not drill through pinch weld at this time, (**see Step 8**).

5. Move along the side of the body panel to the center #2 mounting location, (**Figure 8**). Select (1) 12mm Bolt/Nut Plate. Repeat **Step 3** to install the Bolt/Nut Plate. Select the driver side center #2 Bracket. Attach the Bracket to the Bolt/Nut Plate with (1) 12mm Flat Washer, (1) 12mm Lock Washer and (1) 12mm Hex Nut, (**Figure 9**). Line up the remaining hole in the Bracket with the hole in the inner body panel. Rotate the Bolt and Nut Plate until the threaded end (Nut) lines up with the hole in the Bracket. Secure with (1) 10mm x 35mm Hex Bolt, (1) 10mm Lock Washer and (1) 10mm Flat Washer, (**Figure 9**). Do not tighten hardware at this time.
 - a. **IMPORTANT NOTE:** Models with threaded insert, attach the Bracket to the threaded insert with (1) 8mm x 30mm Hex Bolt, (1) 8mm Lock Washer and (1) 8mm Flat Washer. The 10mm hardware will not be required (**Step 5**). Snug but do not tighten hardware.
6. Move to the center #3 location toward the back of the cab, (**Figure 10**). Repeat **Step 5** to install the center #3 Mounting Bracket, (**Figure 11**).
7. Once the front and (2) center brackets have been installed, carefully position the driver Sidebar onto the Mounting Brackets. Attach the Sidebar to the cradles on the (3) Brackets with the included (6) 8mm x 25mm Hex Bolts, (6) 8mm Lock Washers, and (6) 8mm Flat Washers, (**Figure 11**). Do not tighten hardware at this time. **IMPORTANT:** If you are having any difficulty with installation, check Mounting Bracket location first. Use the illustration on **Page 1** to identify the Mounting Brackets.
8. Properly level and adjust the Sidebar and fully tighten all hardware.

2009-10 models requiring drilling for driver side front Support Bracket:

- a. Make sure the Sidebar is level to the vehicle. Line up the slot on the Support Bracket with the back of the pinch weld. Mark the location of the slot onto the pinch weld.
- b. Drill (2) 1/4" holes through the pinch weld. **IMPORTANT:** Do not drill too close to the bottom edge of the pinch weld. Drill the holes toward the outside of the marked slot.

IMPORTANT! Any cutting or drilling tool may break or shatter. Government regulations require safety glasses & equipment at all times when cutting or drilling.

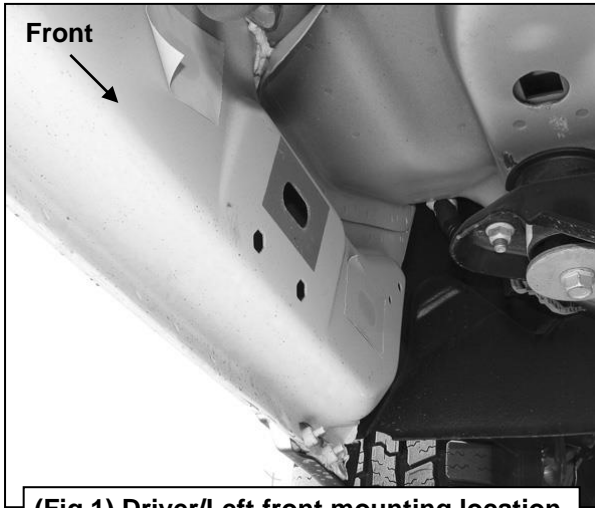
- c. Attach the Support Bracket to the pinch weld with (2) 6mm Hex Bolts, (4) 6mm Flat Washers and (2) 6mm Nylon Lock Nuts, (**Figures 6 & 7**). Check for level then fully tighten all hardware.
9. Move to the last mounting location at the back of the cab. Insert (1) 12mm Bolt and Nut Plate with Plastic Retainer into the hole in the rear corner of the cab as described in **Step 2**, (**Figures 2 & 12**). Select the driver side Rear Mounting Bracket, (**Figure 13**). **NOTE:** The rear Bracket looks similar to the other Brackets but they are unique and only designed to fit the rear mounting location. Attach the Rear Bracket to the Bolt Plate with (1) 12mm Flat Washer, (1) 12mm Lock Washer and (1) 12mm Hex Nut, (**Figure 14**). Leave hardware loose. Attach the Bracket to the Sidebar with (2) 8mm Hex Bolts, (2) 8mm Lock Washers and (2) 8mm Flat Washers, (**Figure 17**). Fully tighten all hardware at this time.
10. **Optional Rear Bracket Installation**-requires drilling-highly recommended for heavy duty use:
 - a. Once **Step 9** has been completed, loosen the Hex Nut on the Bolt Plate and center the threaded end in the slot in the Bracket and the vehicle, (**Figures 12 & 14**). Trace the open, unused slot in the bracket mounting plate onto the body panel. Remove the Rear Bracket and Bolt Plate. Mark the center of the slot. Carefully drill the location with a 7/16" drill bit, (**Figure 15**). Reinstall the Bolt Plate and Bracket as previously described in **Steps 2—3 & 6**, (**Figure 16**). Tighten all hardware.
11. Repeat **Steps 5—10** for passenger Sidebar installation. **NOTE:** Passenger front mounting bracket does not require a support bracket, (**Figure 18**).
12. Do periodic inspections to the installation to make sure that all hardware is secure and tight.

To protect your investment, wax this product after installing. Regular waxing is recommended to add a protective layer over the finish. Do not use any type of polish or wax that may contain abrasives that could damage the finish.

For stainless steel: Aluminum polish may be used to polish small scratches and scuffs on the finish. Mild soap may be used also to clean the Sidebar.

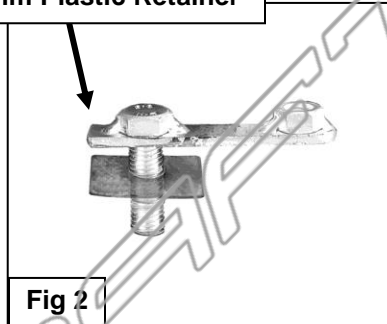
For gloss black finishes: Mild soap may be used to clean the Sidebar.

Driver Side Installation Pictured



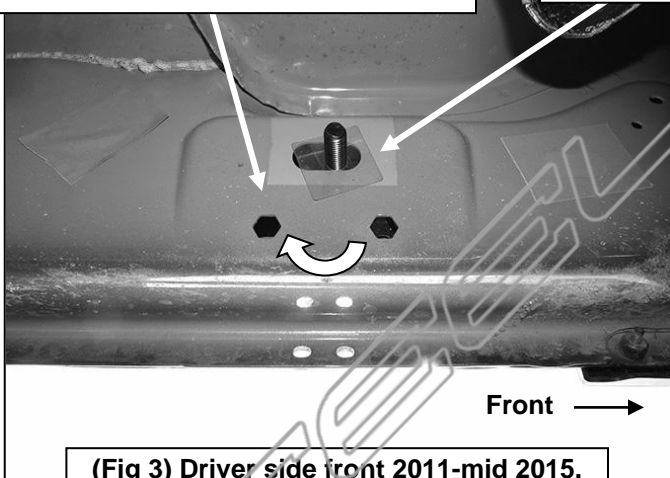
(Fig 1) Driver/Left front mounting location

12mm x 35mm Bolt x
10mm Nut Plate
12mm Plastic Retainer

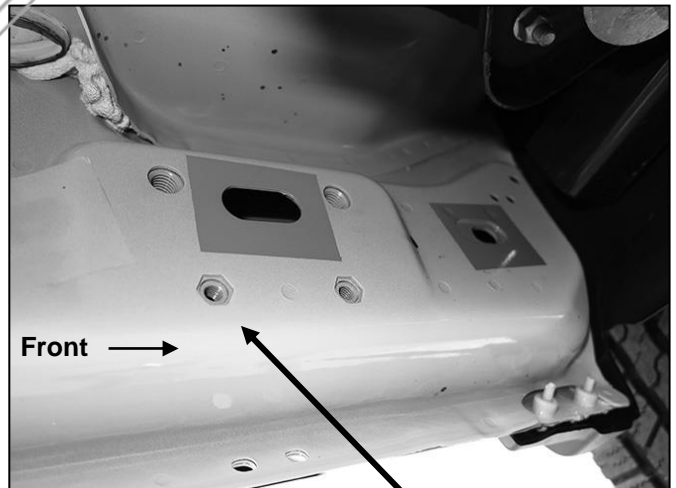


Rotate Bolt/Nut Plate to line up
threaded nut with body panel and
hole in Mounting Bracket (see arrow)

12mm x 35mm Bolt/10mm Nut Plate
12mm Plastic Retainer

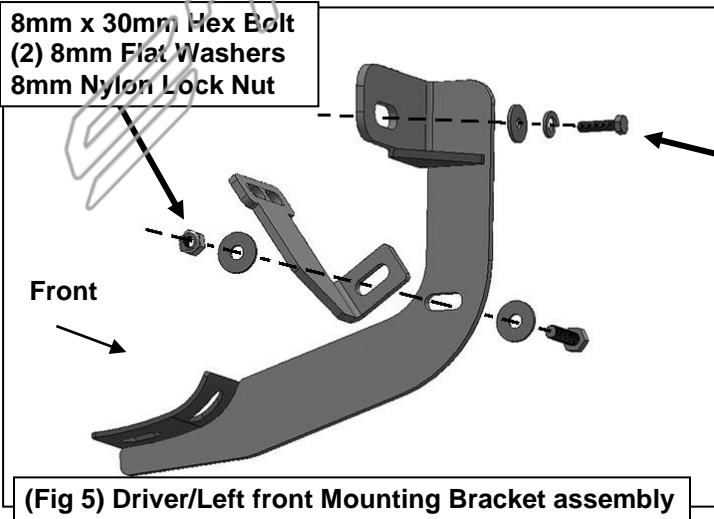


(Fig 3) Driver side front 2011-mid 2015.
NOTE: no threaded insert in body panel



(Fig 4) Driver side front mid 2015-on example of all
models with factory installed threaded inserts

8mm x 30mm Hex Bolt
(2) 8mm Flat Washers
8mm Nylon Lock Nut



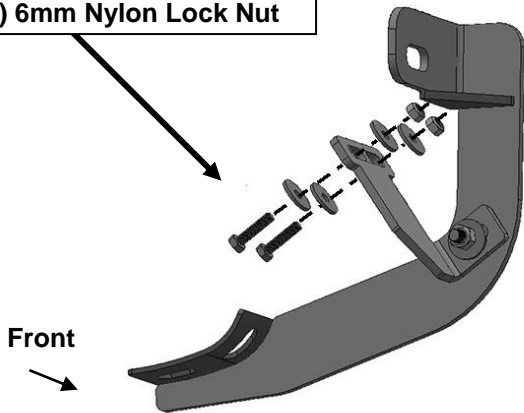
(Fig 5) Driver/Left front Mounting Bracket assembly

Models without threaded
insert using Bolt/Nut
Plate, use:
10mm x 35mm Hex Bolt
10mm Lock Washer
10mm Flat Washer

Models with threaded
insert use:
8mm x 30mm Hex Bolt
8mm Lock Washer
8mm Flat Washer

Driver Side Installation Pictured

- (2) 6mm Hex Bolt
- (4) 6mm Flat Washers
- (2) 6mm Nylon Lock Nut



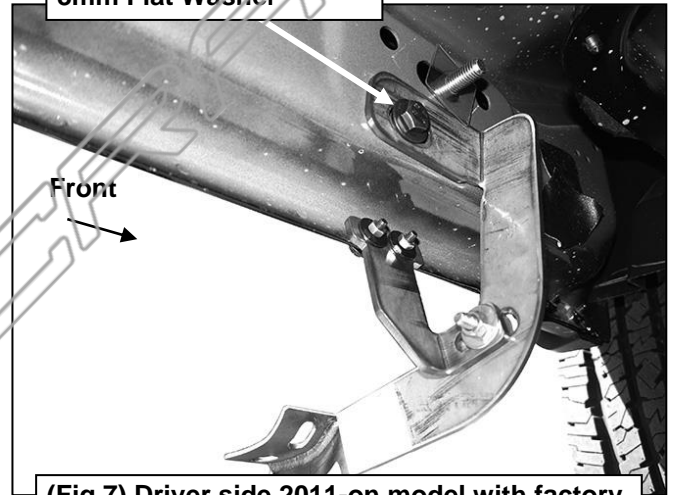
(Fig 6) Attach Support Bracket to back of pinch weld

Models without threaded insert using Bolt/Nut Plate, use:

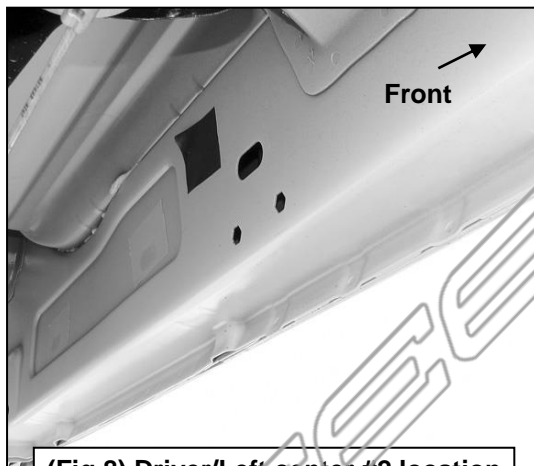
- 10mm x 35mm Hex Bolt
- 10mm Lock Washer
- 10mm Flat Washer

Models with threaded insert use:

- 8mm x 30mm Hex Bolt
- 8mm Lock Washer
- 8mm Flat Washer



(Fig 7) Driver side 2011-on model with factory holes in pinch weld pictured.



(Fig 8) Driver/Left center #2 location

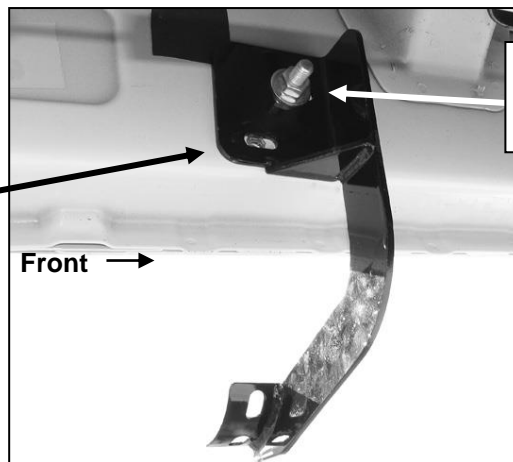
IMPORTANT: 2009-2010 models without holes in pinch weld will require drilling 1/4" holes through pinch weld to attach driver side front support bracket. Do complete installation of sidebars first, level sidebar before drilling holes for support bracket.

Models without threaded insert using Bolt/Nut Plate, use:

- 10mm x 35mm Hex Bolt
- 10mm Lock Washer
- 10mm Flat Washer

Models with threaded insert use:

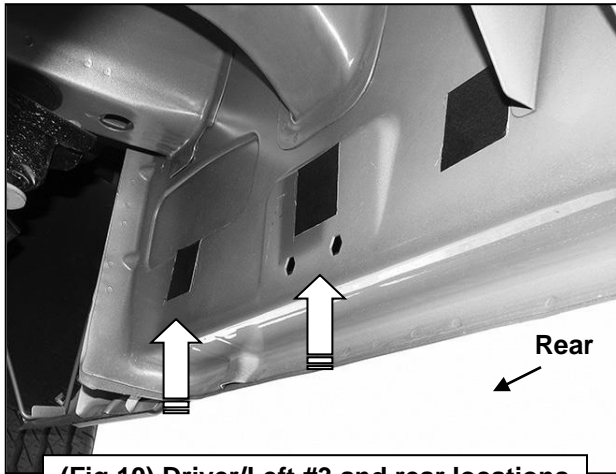
- 8mm x 30mm Hex Bolt
- 8mm Lock Washer
- 8mm Flat Washer



- 12mm Flat Washer
- 12mm Lock Washer
- 12mm Hex Nut

(Fig 9) Driver/Left center #2 Bracket

Driver Side Installation Pictured



(Fig 10) Driver/Left #3 and rear locations

Models without threaded insert using Bolt/Nut Plate, use:
10mm x 35mm Hex Bolt
10mm Lock Washer
10mm Flat Washer

Models with threaded insert use:
8mm x 30mm Hex Bolt
8mm Lock Washer
8mm Flat Washer

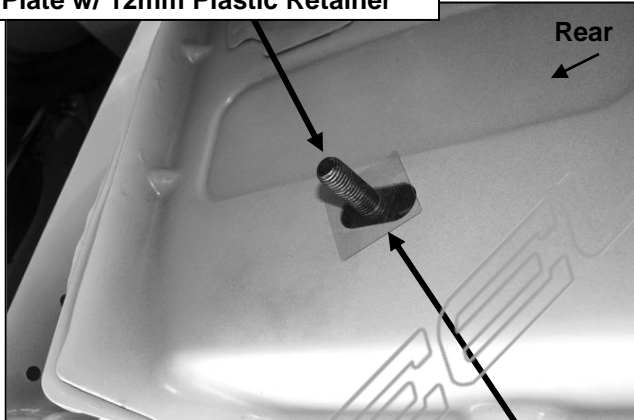
12mm Flat Washer
12mm Lock Washer
12mm Hex Nut



(Fig 11) Driver/Left #3 Mounting Bracket

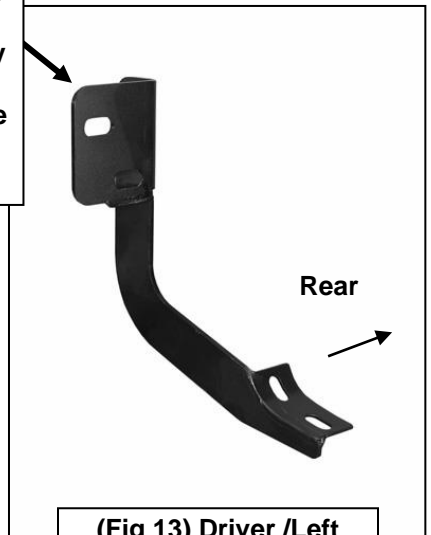
12mm x 35mm Bolt x 10mm Nut
Plate w/ 12mm Plastic Retainer

8mm x 25mm Hex Bolts
8mm Flat Washers
8mm Lock Washers



(Fig 12) Try to keep the Bolt Plate in the center of the slot when installing the rear Bracket only

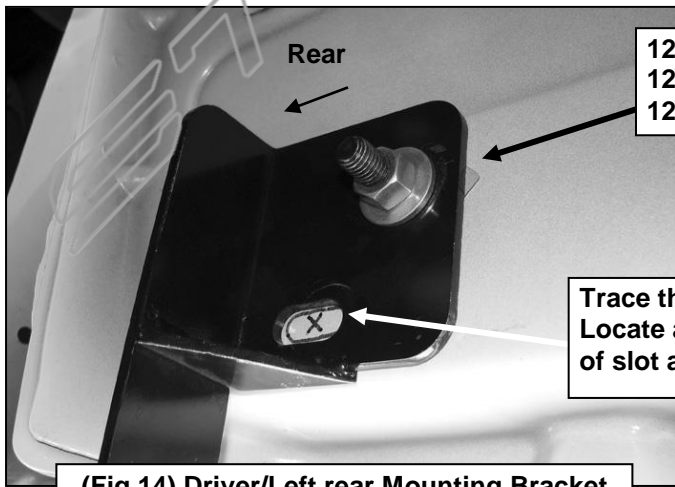
IMPORTANT: The rear Mounting Brackets look similar to the front and center brackets but they are unique. Note the reversed mounting plate and rear facing cradle for the Sidebar.



(Fig 13) Driver /Left Rear Bracket Pictured

12mm Flat Washer
12mm Lock Washer
12mm Hex Nut

Trace the slot with a marker. Locate approximate center of slot and mark to drill



(Fig 14) Driver/Left rear Mounting Bracket

Driver Side Installation Pictured

