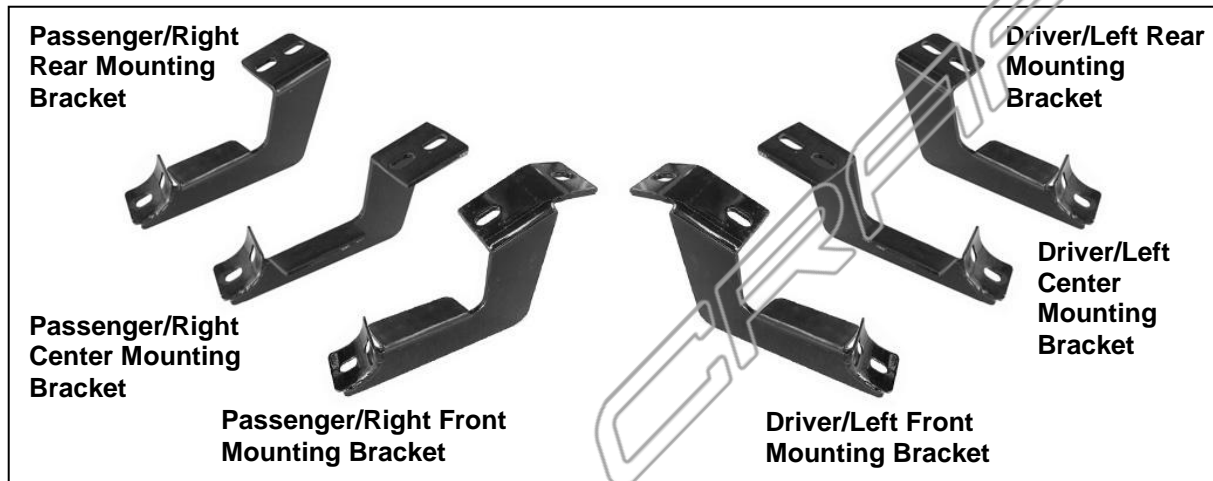


**5IN STRAIGHT SIDEBAR
07-11 TOYOTA TUNDRA DOUBLE CAB**

PARTS LIST:

1	Driver Sidebar	1	Driver/Left Rear Mounting Bracket
1	Passenger Sidebar	1	Passenger/Right Rear Mounting Bracket
1	Driver/Left Front Mounting Bracket	24	8-1.25mm x 30mm Hex Bolts
1	Passenger/Right Front Mounting Bracket	24	8mm Lock Washers
1	Driver/Left Middle Mounting Bracket	24	8mm ID x 24mm OD x 2mm Flat Washers
1	Passenger/Right Middle Mounting Bracket		



PROCEDURE:

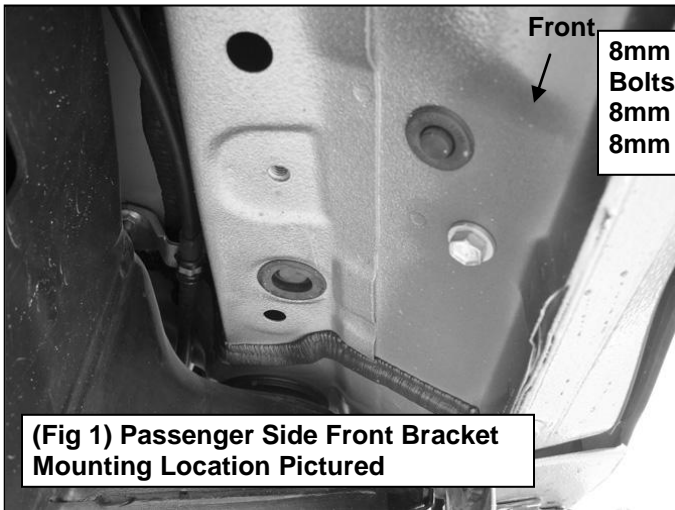
- 1. REMOVE CONTENTS FROM BOX. VERIFY ALL PARTS ARE PRESENT. READ INSTRUCTIONS CAREFULLY.**
- Starting on the passenger side front of the vehicle, remove the existing (2) factory bolts, (or plastic plugs), on the side panel located by the front tire opening, **(Figure 1)**. This will be the mounting location for the passenger side front Mounting Bracket. Partially attach the front Mounting Bracket to the vehicle using the included (2) 8mm x 30mm Hex Bolts, (2) 8mm Lock Washers and (2) 8mm Flat Washers, **(Figure 2)**. Do not tighten hardware at this time.
- Remove the two factory bolts, (or plastic plugs), along the side panel closest to the front Bracket to mount the center Bracket, **(Figure 2)**, and the very last two factory bolts, (or plastic plugs), along the side panel to mount the rear Bracket, **(Figure 3)**. Partially attach center and rear Brackets to the vehicle with hardware listed in **Step 2**.
- Carefully place the Passenger Side Bar onto the Brackets. Align the holes on the bottom of the Side Bar with the holes on the Mounting Brackets. Attach the Side Bar to the Mounting Brackets with the included (6) 8-1.25mm x 30mm Hex Bolts, (6) 8mm Lock Washers and (6) 8mm Flat Washers, **(Figures 2 - 4)**. Do not tighten at this time.
- Level and adjust the Sidebar properly and tighten all hardware.
- Repeat Steps 2-5 for Driver Sidebar.
- Do periodic inspections to the installation to make sure that all hardware is secure and tight.

To protect your investment, wax this product after installing. Regular waxing is recommended to add a protective layer over the finish. Do not use any type of polish or wax that may contain abrasives that could damage the finish.

For stainless steel: Aluminum polish may be used to polish small scratches and scuffs on the finish. Mild soap may be used also to clean the Sidebar.

For gloss black finishes: Mild soap may be used to clean the Sidebar.

Passenger Side Installation Pictured



There are four sets of threaded holes in the side panel. Starting from the front of the vehicle, use the first, second, and fourth set of holes.

