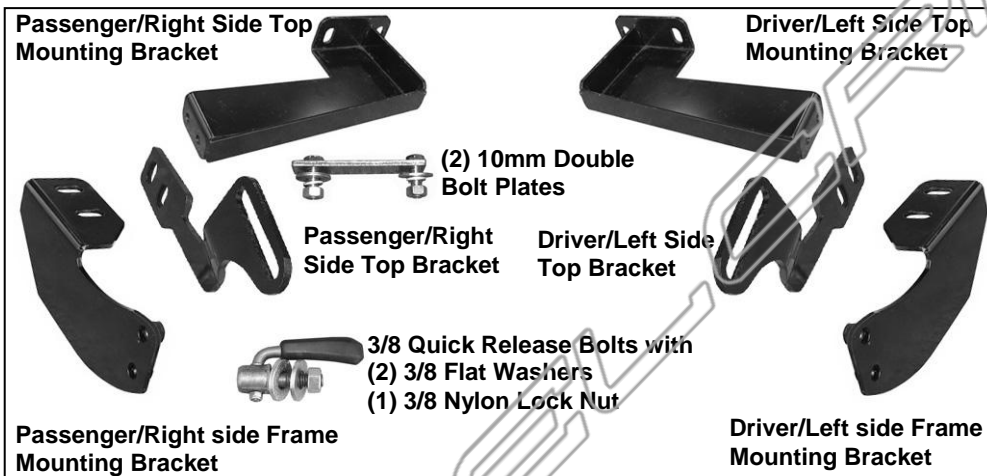


GRILLE GUARD
07-12 TOYOTA TUNDRA / 08-12 SEQUOIA

PARTS LIST:

1	Grille Guard	4	3/8" Flat Washers
1	Driver/Left Frame Mounting Bracket	2	3/8" Nylon Lock Nuts
1	Passenger/Right Frame Mounting Bracket	4	12mm Plastic Washers
1	Driver/Left Top Top Mounting Bracket	4	12-1.75mm x 35mm Hex Bolts
1	Passenger/Right Top Mounting Bracket	4	12mm Lock Washers
1	Driver/Left Top Bracket	4	12mm ID x 32mm OD x 3mm Flat Washers
1	Passenger/Right Top Bracket	4	10-1.50mm x 35mm Hex Bolts
2	10mm Double Bolt Plates	4	10mm Lock Washers
2	3/8" Quick Release Bolts	8	10mm ID x 27mm OD x 3mm Flat Washers
4	3/8" Plastic Washers	4	10mm Nylon Lock Nuts
		2	600mm x 50mm x 1.0mm Adhesive Foam Strips



Installation Complete

PROCEDURE:

1. REMOVE CONTENTS FROM BOX. VERIFY ALL PARTS ARE PRESENT. READ INSTRUCTIONS CAREFULLY BEFORE STARTING INSTALLATION. NOT RECOMMENDED FOR VEHICLES WITH OPTIONAL "ACTIVE" LASER GUIDED CRUISE CONTROL SYSTEMS.
2. **WARNING!** This Grille Guard is designed to tilt forward by releasing the Quick Release Bolts on the Top Brackets and loosening the upper bolt on the Mounting Bracket when the hood needs to be opened for service. Make sure that all hardware is fully tightened after closing the hood. Read Page 5, "Opening and Closing of Hood," before installing the Grille Guard.
3. Starting from under the front of the vehicle, remove the (2) factory tow hooks and set aside, **(Figure 1A & 1B)**.
4. Select the driver/left and passenger/right Frame Mounting Brackets. Refer to the illustration on Page 1 to identify the Frame Mounting Brackets.
5. Hang the driver/left side Frame Mounting Bracket in position by partially threading the two factory bolts through the Mounting Bracket and into the frame. **NOTE:** Depending on model and year, the vehicle may be equipped with small, **(Figure 1A)**, or large, **(Figure 1B)**, tow hooks. Only the small tow hook will clear the Frame Mounting Bracket. If desired, install the small tow hook over the Mounting Bracket using the factory hardware, **(Figure 1A)**. Repeat this step for the passenger/right side Frame Mounting Bracket installation.

GRILLE GUARD
07-12 TOYOTA TUNDRA / 08-12 SEQUOIA

6. Open the hood and locate the two factory holes facing forward on the driver side of the bottom radiator core support cross member. Insert (1) Double Bolt Plate in from the back of the radiator core support and out the front through the (2) holes, **(Figure 2)**.
7. Locate the driver side Top Mounting Bracket and move it into position, **(Figure 3)**. **NOTE:** Tab with welded hex nuts on the Top Mounting Bracket should point down, **(Figure 6)**. Align the holes on the Top Mounting Bracket with the previously inserted Double Bolt Plate. Secure the Top Mounting Bracket to the Bolt Plate using the included (2) 10mm Flat Washers and (2) 10mm Nylon Lock Nuts, **(Figure 4)**. Snug but do not tighten hardware at this time.
8. Carefully insert the driver/left side Top Bracket through the opening in the bumper and attach it to the tab on the Top Mounting Bracket using the included (2) 10mm x 35mm Hex Bolts, (2) 10mm Lock Washers and (2) 10mm Flat Washers, **(Figure 5 & 6)**. **IMPORTANT:** To provide maximum clearance between the Grille Guard and the vehicle, gently pull the Top Bracket outward away from the vehicle as you tighten the (2) Hex Bolts, **(Figure 7)**.
9. Repeat Steps 6 - 8 for passenger/right side Top Bracket installation.
10. With assistance, place the Grille Guard face down on a clean surface in front of the vehicle. Position the mounting tabs on the Grille Guard up to the outside of the driver side Frame Mounting Bracket and line up the lower hole in the Frame Mounting Bracket with the lower hole in the Grille Guard. Insert (1) 12mm Plastic Washer between the Frame Mounting Bracket and the Grille Guard, line up the holes and bolt together with the included (1) 12mm x 35mm Hex Bolt, (1) 12mm lock Washer and (1) 12mm Flat Washer, **(Figure 8)**. Repeat this step for the passenger side. Snug but do not tighten hardware at this time.
11. Use the (2) previously installed 12mm Hex Bolts as a hinge and carefully rotate the Grille Guard up to the vehicle. Line up the two remaining holes in the Frame Mounting Brackets with the holes in the Grille Guard and repeat Step 10 for hardware installation, **(Figure 8)**. Snug the hardware but do not tighten at this time.
12. Next, move to the driver side Top Bracket installed in Step 8. Line up the slotted hole in the Top Bracket with the hole in the Grille Guard, **(Figure 9)**. Insert (1) 3/8" Plastic Washer between the Top Bracket and the Grille Guard. Line up the hole in the Plastic Washer with the hole in the Grille Guard and the slot in the Top Bracket. Insert (1) 3/8" Quick Release Bolt and (1) 3/8" Flat Washer through the Grille Guard, Plastic Washer and Top Bracket. Secure the Quick Release Bolt with (1) 3/8" Plastic Washer, (to protect the finish on the Top Bracket), (1) 3/8" Flat Washer and (1) 3/8" Nylon Lock Nut, **(Figure 9 & 10)**. Snug but do not tighten at this time. Repeat this step for the passenger side hardware installation.
13. Release the levers on the Quick Release bolts, **(Figure 10)**, and pull the Grille Guard away from the vehicle to the "open" position, **(Figure 11)**. Center and level the Grille Guard and tighten all hardware. Adjust Quick Release Bolt clamping pressure by loosening or tightening the 3/8" Nylon Lock Nut. See Steps 17 – 21 for more information.
14. Slowly close the hood and check for clearance. Release the Quick Release bolts on the Top Brackets. Push the Grille Guard into the "closed" position. If needed, loosen the upper bolt on each Mounting Bracket, **(Figure 12)**. **WARNING!** Do not completely loosen bolts or damage to the truck or Grille Guard may occur.
15. Push the Grille Guard back as close as possible towards the vehicle and tighten all hardware, **(Figure 13 & 14)**.
16. Do periodic inspections to the installation to make sure that all hardware is secure and tight.

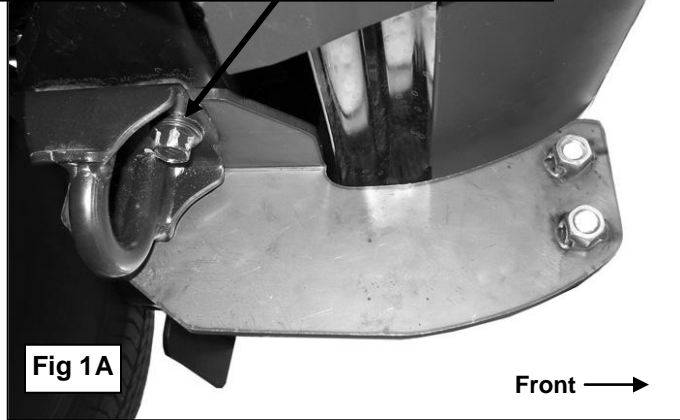
To protect your investment, wax this product after installing. Regular waxing is recommended to add a protective layer over the finish. Do not use any type of polish or wax that may contain abrasives that could damage the finish.

For stainless steel: Aluminum polish may be used to polish small scratches and scuffs on the finish. Mild soap may be used also to clean the Grille Guard.

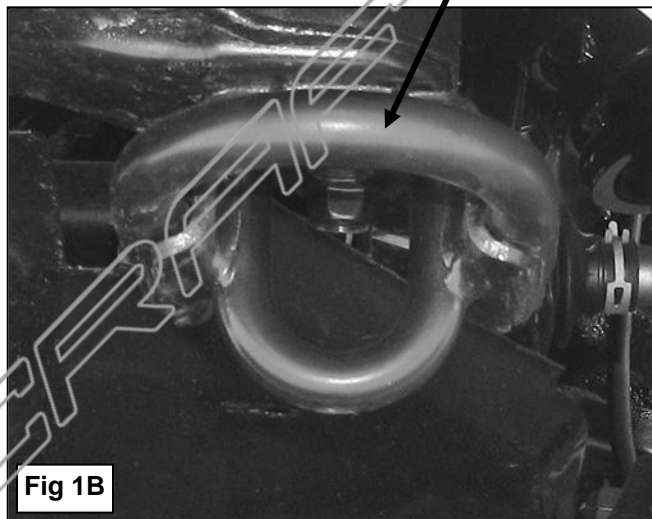
For gloss black finishes: Mild soap may be used to clean the Grille Guard.

Driver/Left Side Installation Pictured

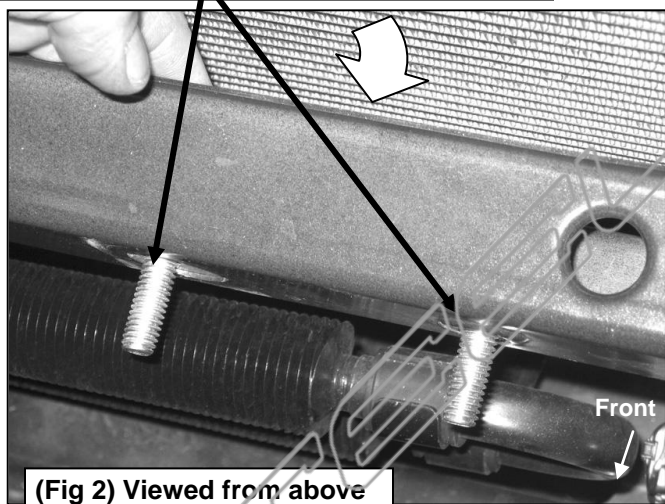
Frame Mounting Bracket installed with small factory tow hook and hardware



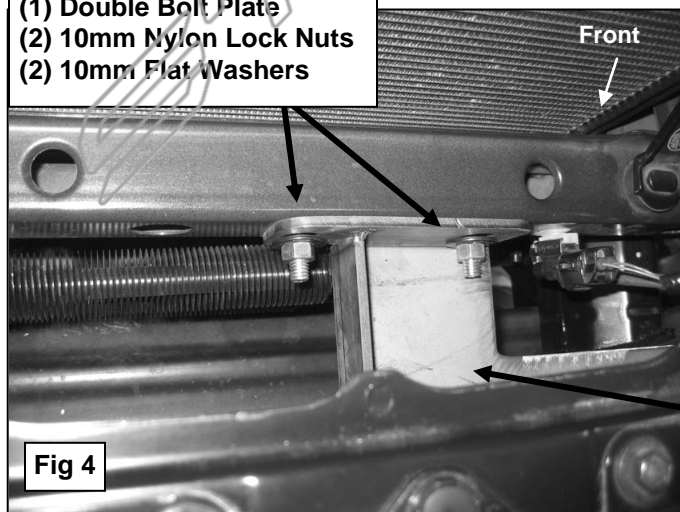
The heavy duty factory tow hooks cannot be reinstalled and will not clear the Frame Mounting Brackets



Insert Double Bolt Plate through the back of radiator core support cross member

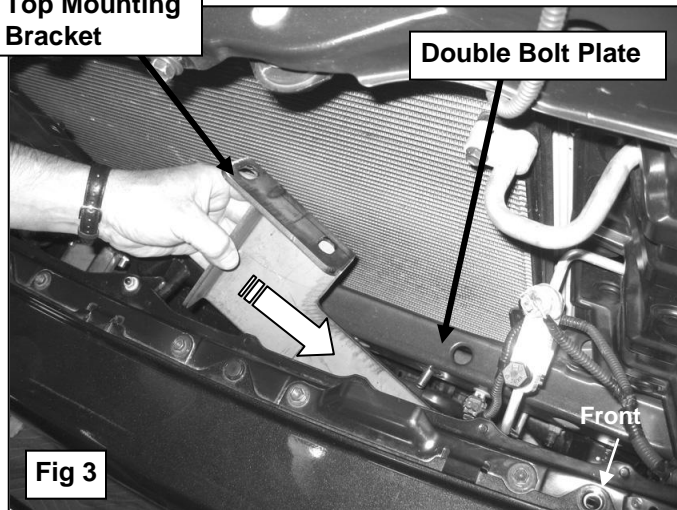


- (1) Double Bolt Plate
- (2) 10mm Nylon Lock Nuts
- (2) 10mm Flat Washers



Top Mounting Bracket

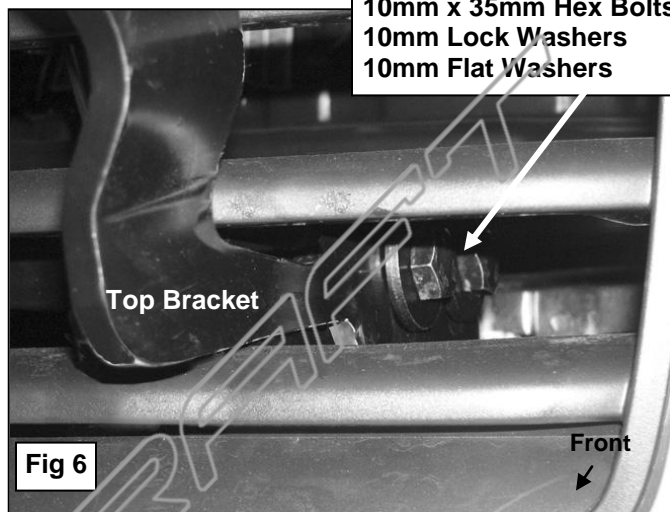
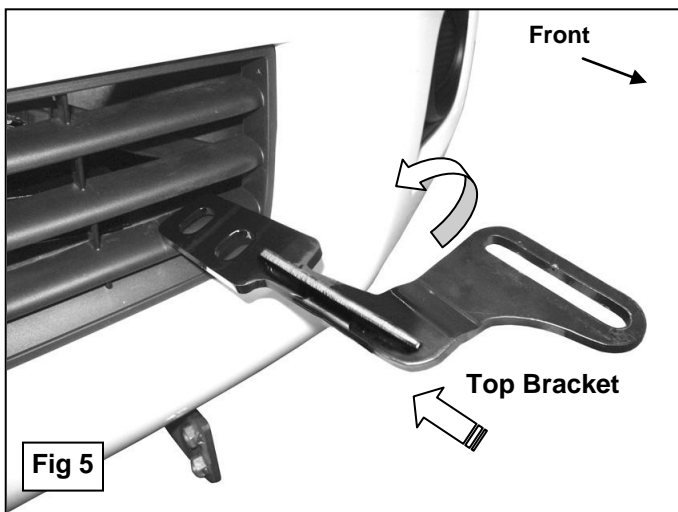
Double Bolt Plate



Driver side Top Mounting Bracket (viewed from above)

**GRILLE GUARD
07-12 TOYOTA TUNDRA / 08-12 SEQUOIA**

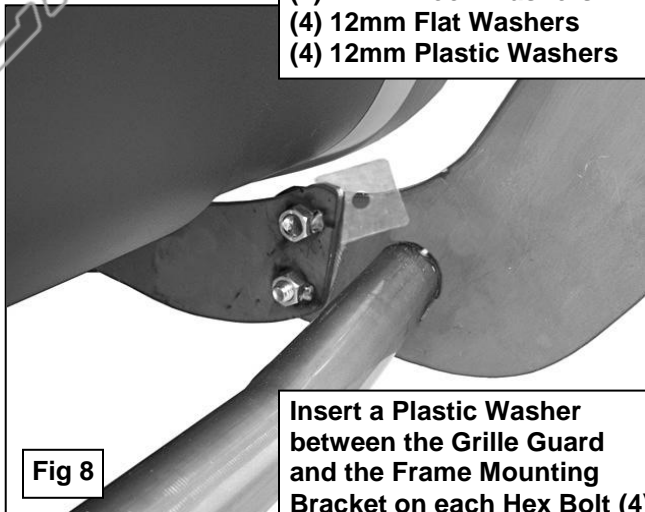
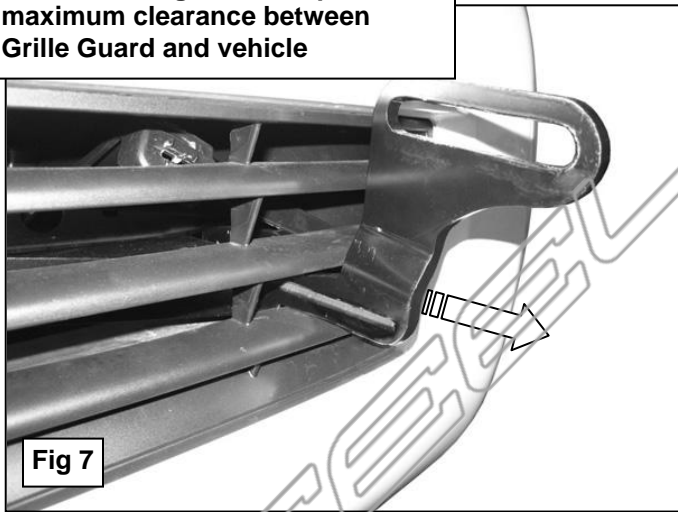
Driver/Left Side Installation Pictured



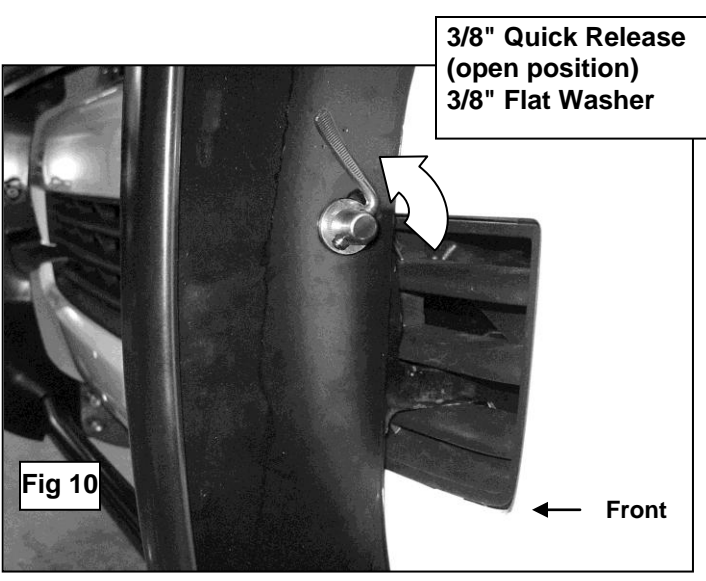
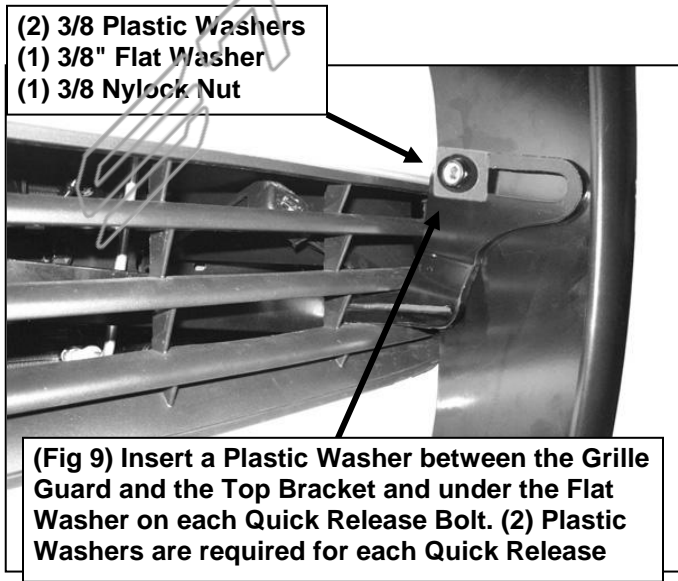
Pull the Top Bracket as the hardware is tightened to provide maximum clearance between Grille Guard and vehicle

07-On Sequoia Pictured

**(4) 12mm x 35mm Hex Bolts
(4) 12mm Lock Washers
(4) 12mm Flat Washers
(4) 12mm Plastic Washers**

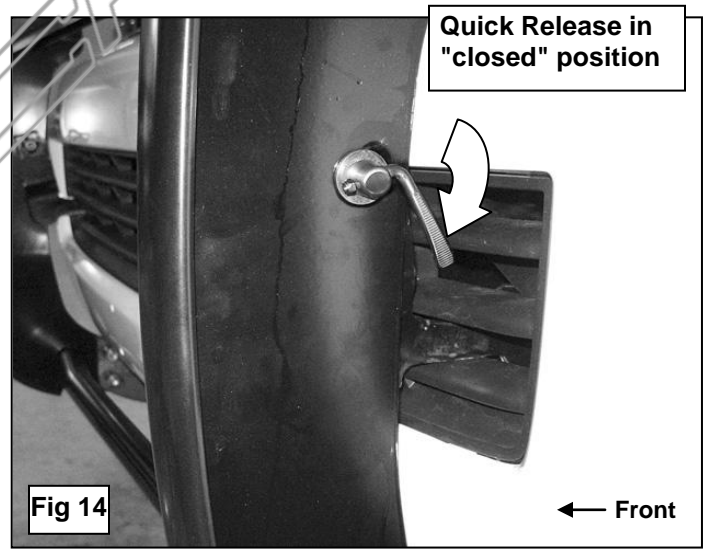
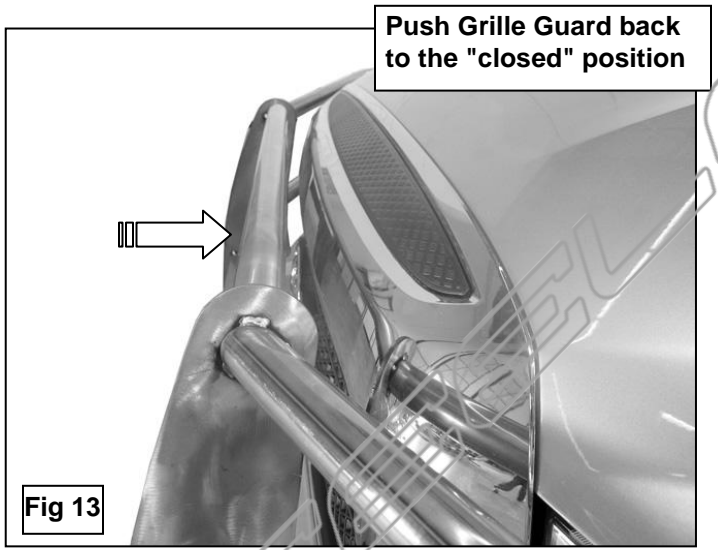
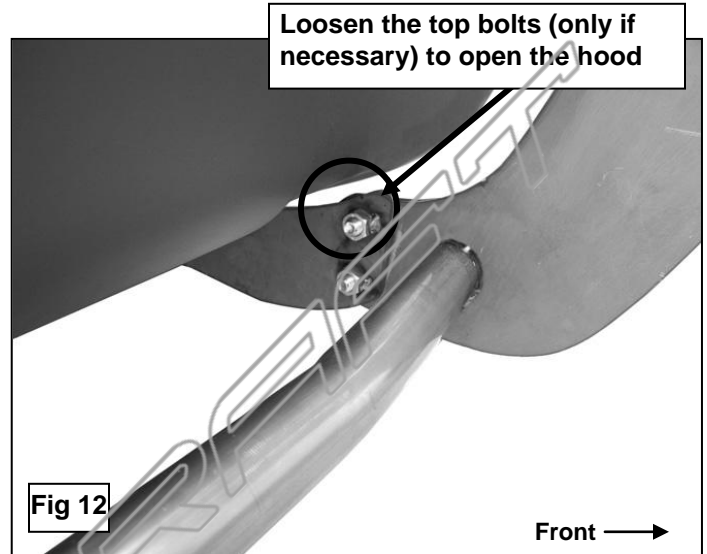
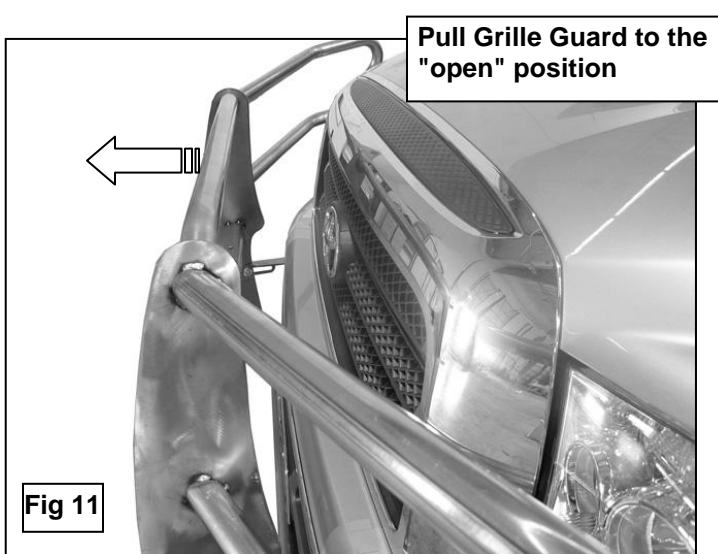


Insert a Plastic Washer between the Grille Guard and the Frame Mounting Bracket on each Hex Bolt (4)



(Fig 9) Insert a Plastic Washer between the Grille Guard and the Top Bracket and under the Flat Washer on each Quick Release Bolt. (2) Plastic Washers are required for each Quick Release

Driver/Left Side Installation Pictured



Opening and closing the hood

17. Rotate the lever on the Quick Release bolt to release the clamping pressure, **(Figure 10)**. Pull the Grille Guard to the "open" position, **(Figure 11)**. **NOTE:** If the Grille Guard does not pivot to "open" position, **slightly loosen the upper hex bolt on each Mounting Bracket, (Figure 12)**. **WARNING!** Do not completely loosen bolts or damage to the truck or Grille Guard may occur.
18. Carefully pull on the Grille Guard until it is fully extended away from the vehicle.
19. Pull the hood release and slowly open the hood.
20. **IMPORTANT!** Before closing the hood, make sure that the Grille Guard has not been pushed back to its "closed" position. Pull on the Grille Guard to verify that it is fully extended away from the vehicle and slowly close the hood.
21. Once the hood is completely closed, push the Grille Guard back to its "closed," upright position and tighten all hardware on the Grille Guard, **(Figure 13)**. Rotate the lever on the Quick Release to tighten, **(FIGURE 14)**. No tools are required to close the Quick Release levers. It will require some effort to open and close by hand when properly adjusted. Loosen or tighten the 3/8" Hex Nut on the Quick Release bolt to adjust the clamping pressure.
22. Do periodic inspections to the installation to make sure that all hardware is secure and tight.