

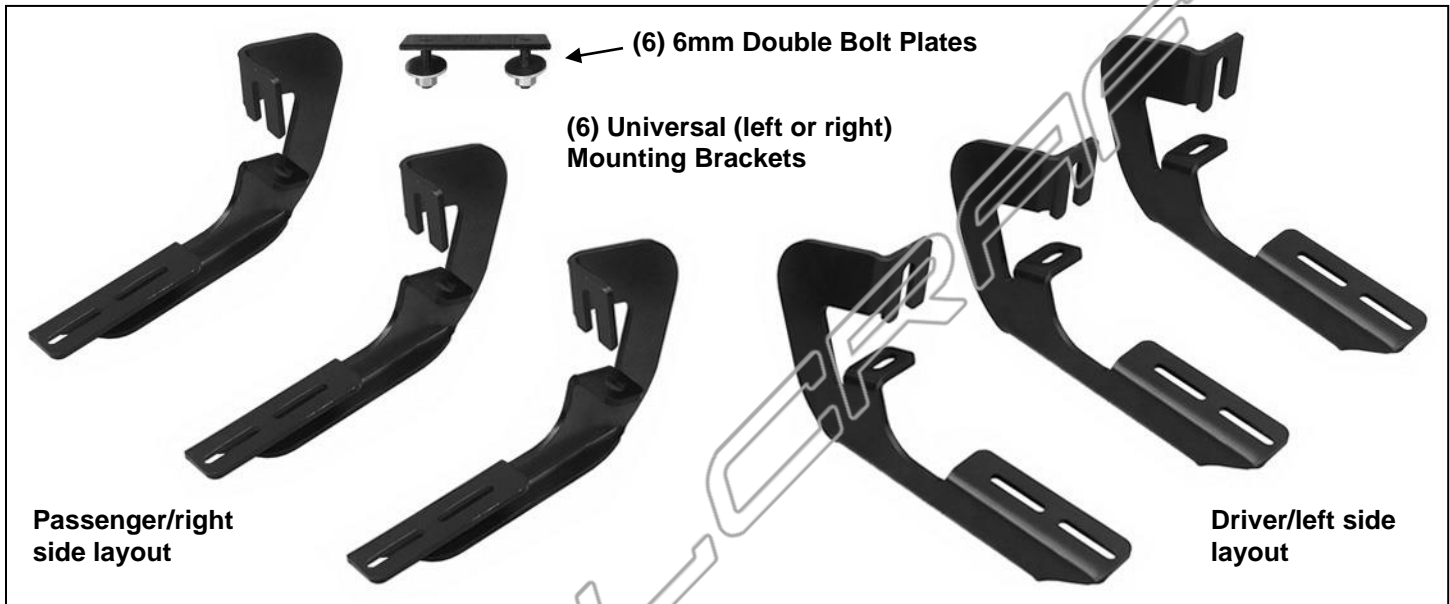
INSTALLATION INSTRUCTIONS

**STEEL RUNNING BOARDS
04-14 FORD F-150 SUPER CAB**

STEELCRAFT

PARTS LIST:

Qty	Description	Qty	Description
2	Steel Running Boards	12	8mm Lock Washers
6	Universal Mounting Brackets	6	6mm Double Bolt Plates
12	8mm Deep Clip Nuts	12	6mm x 22mm OD x 2mm Flat Washers
12	8-1.25mm x 25mm Hex Bolts	12	6mm Lock Washers
12	8mm x 24mm OD x 2mm STD Flat Washers	12	6mm Hex Nuts



PROCEDURE:

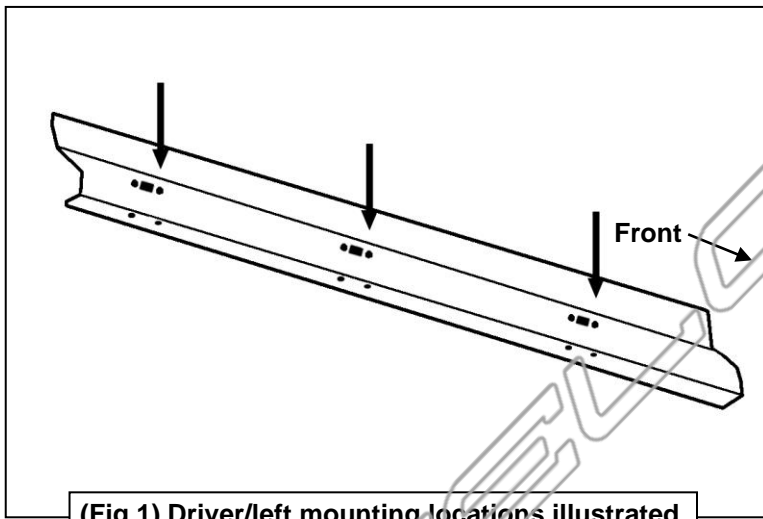
- 1. REMOVE CONTENTS FROM BOX. VERIFY ALL PARTS ARE PRESENT. READ INSTRUCTIONS CAREFULLY BEFORE STARTING INSTALLATION.**
- Starting on the driver side of the vehicle, locate the (2) holes in the bottom of the body panel, (pinch weld). Next locate the rectangular opening and (2) small holes in the inner body panel directly above the holes in the pinch weld, **(Figures 1 & 2)**. Installation will use only the forward holes in each mounting location. **NOTE:** The holes in the inner panel may be covered with sealing tape or insulation, remove as required.
- Slide (1) 8mm Clip Nut into the rectangular opening with the nut towards the inside. Line up the threaded nut on the clip with the round hole toward the front of the vehicle, **(Figure 2)**. Repeat to install an 8mm Clip Nut in forward hole in the pinch weld. **NOTE:** If necessary, hold a mounting Bracket up in position to determine correct factory mounting holes to use.
- Attach the Mounting Bracket to the (2) Clip Nuts with the included (2) 8mm Hex Bolts, (2) 8mm Lock Washers and (2) 8mm Flat Washers, **(Figure 3)**. Depending on model and year, the brake cable may be run on the inside or outside of the Bracket. Do not tighten hardware at this time.
- Next, move toward the center of the vehicle. Locate the (2) holes in the pinch weld similar to the front location, **(Figures 1 & 4)**. Repeat **Steps 2—4** to install a Bracket in the center mounting location.
- Continue along the cab to the rear mounting location. Locate the last (2) mounting holes in the pinch weld towards the back of the cab, **(Figures 1 & 5)**. Repeat **Steps 2—4** to install the rear mounting Bracket, **(Figure 6)**.
- Select (1) Running Board. Place the Running Board on top of the (3) Brackets to determine correct position for 6mm Double Bolt Plates. Insert the Bolt Plates into the front, center and rear locations on the bottom of the Running Board, **(Figure 7)**.

8. Hold the Running Board up to the vehicle at a slight angle and gently push it into position against the end of the Brackets. Attach the Running Board to the Mounting Brackets with the included (6) 6mm Flat Washers, (6) 6mm Lock Washers and (6) 6mm Hex Nuts, **(Figure 8)**. Do not tighten at this time.
9. Level and adjust the Running Board as desired and tighten all hardware.
10. Repeat **Steps 2—9** for the passenger side Running Board installation.
11. Do periodic inspections to the installation to make sure that all hardware is secure and tight.

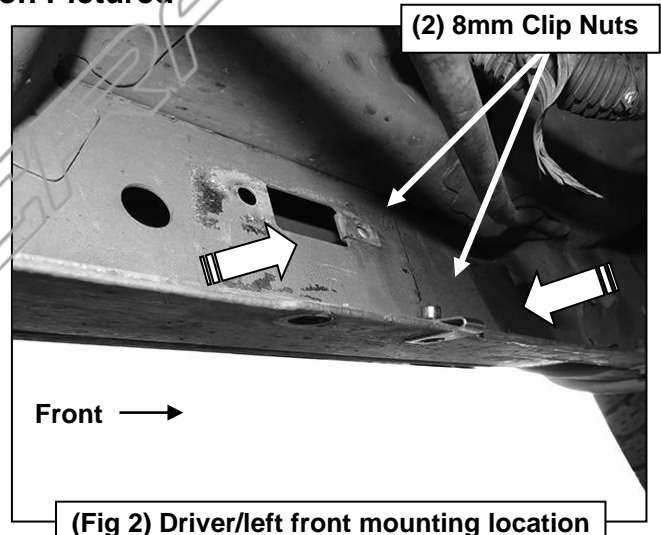
To protect your investment, wax this product after installing. Regular waxing is recommended to add a protective layer over the finish. Do not use any type of polish or wax that may contain abrasives that could damage the finish.

For gloss black finishes: Mild soap may be used to clean the Running Board.

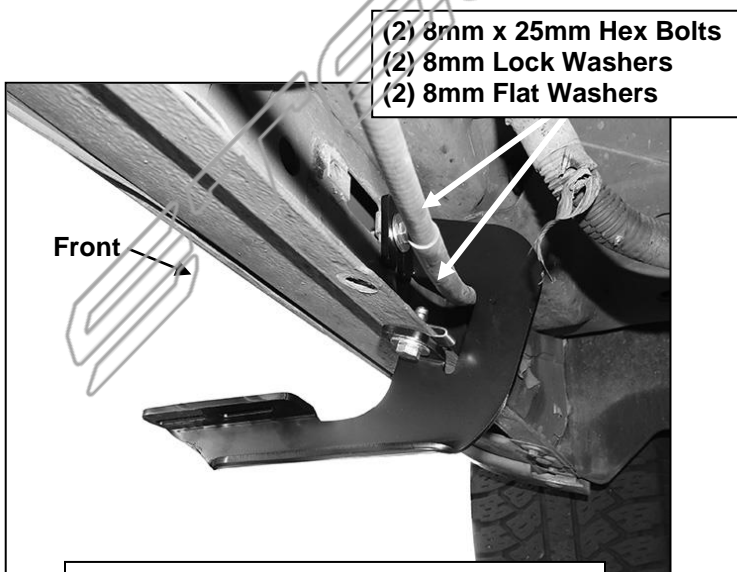
Driver Side Installation Pictured



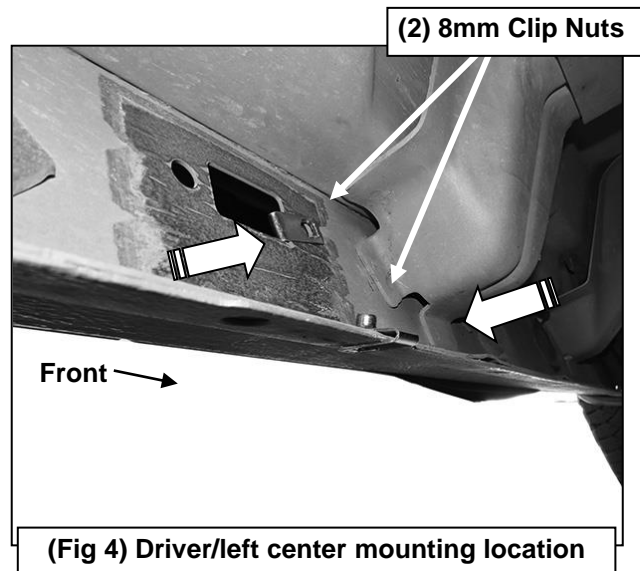
(Fig 1) Driver/left mounting locations illustrated



(Fig 2) Driver/left front mounting location

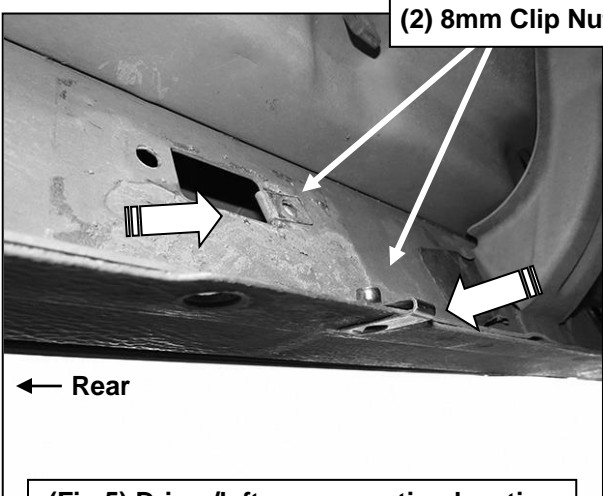


(Fig 3) Driver/left front Bracket installed

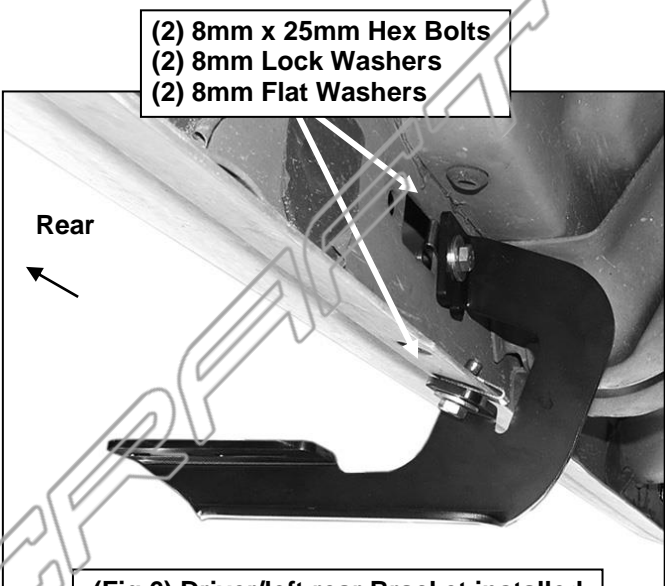


(Fig 4) Driver/left center mounting location

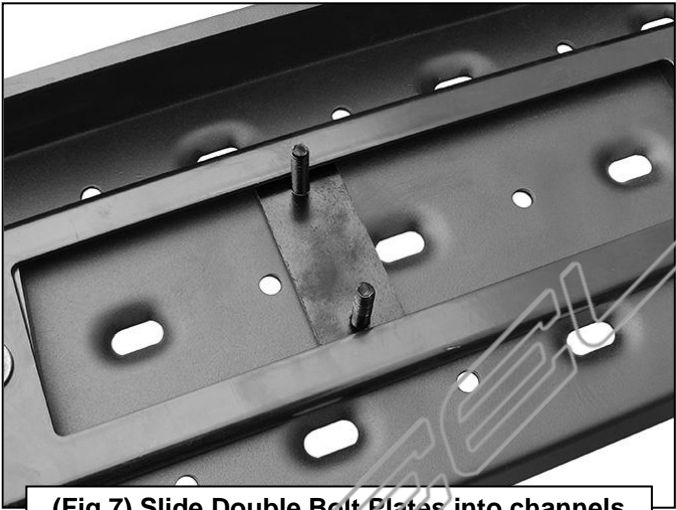
Driver Side Installation Pictured



(Fig 5) Driver/left rear mounting location



(Fig 6) Driver/left rear Bracket installed



- (2) 6mm Flat Washers
- (2) 6mm Lock Washers
- (2) 6mm Hex Nuts

