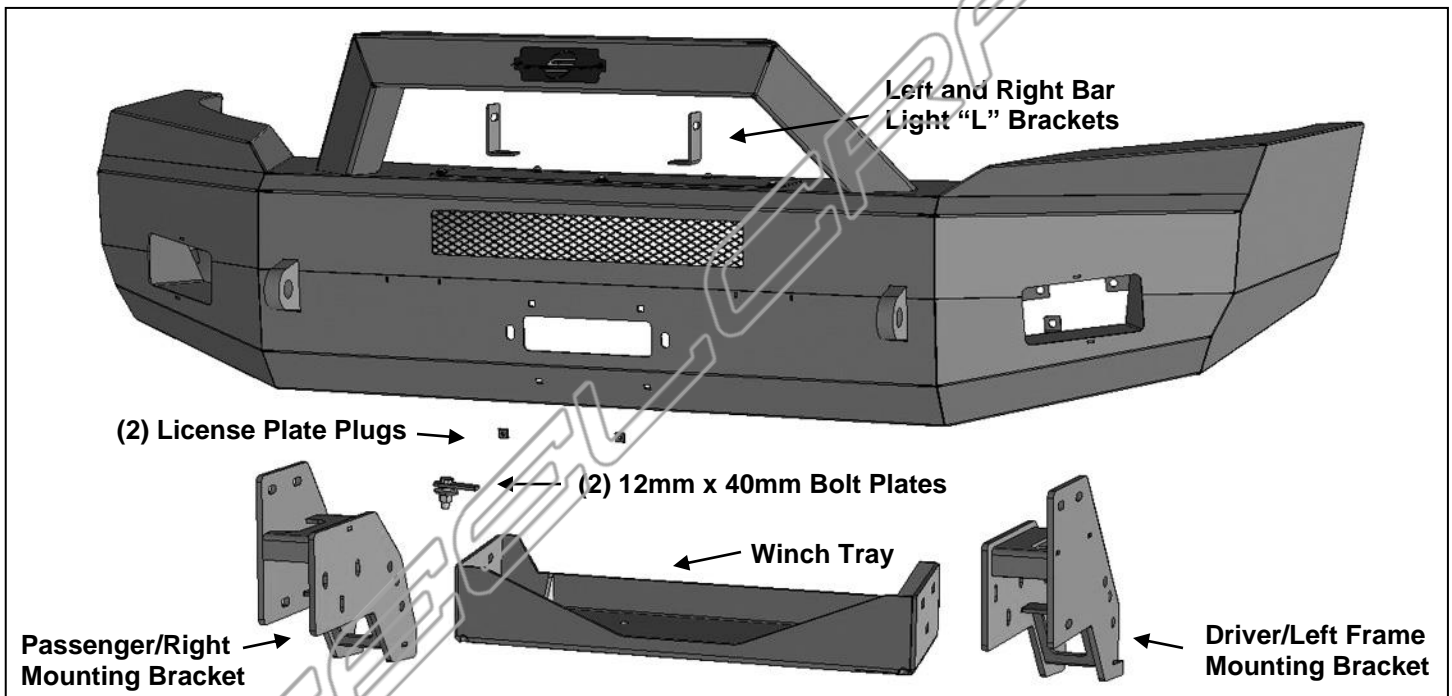


**ELEVATION BULL NOSE FRONT BUMPER  
2011-14 CHEVY SILVERADO 25-3500**

**PARTS LIST:**

1	Elevation Bull Nose Front Bumper Assembly	6	12-1.75mm x 150mm Hex Bolts
1	Driver Mounting Bracket	12	12-1.75mm x 50mm Hex Bolts
1	Passenger Mounting Bracket	38	12mm x 37mm OD x 3mm Flat Washers
1	Winch Tray	20	12mm Lock Washers
1	Winch Access Cover	20	12mm Hex Nuts
5	6mm Combo Bolts (winch access cover)	2	8-1.25mm x 25mm Hex Bolts
1	4mm Wrench (comb bolts)	2	8-1.25mm x 16mm Hex Bolt
1	Driver/left LED light bracket	6	8mm x 24mm x 2mm Flat Washer
1	Passenger/right LED light bracket	4	8mm Lock Washers
2	Plastic Plugs for License Plate	2	8mm Hex Nuts
2	12mm x 40mm Bolt Plates		



**PROCEDURE:**

**REMOVE CONTENTS FROM BOX. VERIFY ALL PARTS ARE PRESENT. READ INSTRUCTIONS CAREFULLY BEFORE STARTING INSTALLATION. BUMPER IS HEAVY, ASSISTANCE IS HIGHLY RECOMMENDED TO AVOID POSSIBLE INJURY OR DAMAGE TO THE VEHICLE.**

1. Remove the license plate and bracket. Next, open the hood and remove the plastic cover from the top of the radiator and grille. Also, carefully remove the grille, **(Figure 1)**. **NOTE:** Removing the grille is optional to improve access to the top bumper bracket hardware.
2. Release the rubber air deflector and covers from the back of the bumper, **(Figure 2)**. Next, remove the bumper supports attached to each side of the frame and outer ends of the bumper.
3. On models with factory fog lights, unplug both lights. Release the wiring harness from the clips attached to the back of the bumper. Move harness away from bumper.
4. Place blocks or jack stands under the front bumper to support it during mounting bolt removal. Once the bumper has been safely supported, remove the factory bumper bolts attaching the formed inner brackets to the ends of the frame, **(Figure 3)**. **WARNING!** Assistance is required to hold the bumper in place during bolt removal to prevent the bumper from falling. Carefully slide the bumper with brackets attached off the end of the frame. Remove any remaining bumper brackets from the frame and remove both tow hooks if equipped.
5. Select the passenger/right Frame Bracket, **(Figure 4)**. Attach the Frame Bracket to the end of the frame with the included (3) 12mm x 150mm Hex Bolts, (6) 12mm Flat Washers, (3) 12mm Lock Washers and

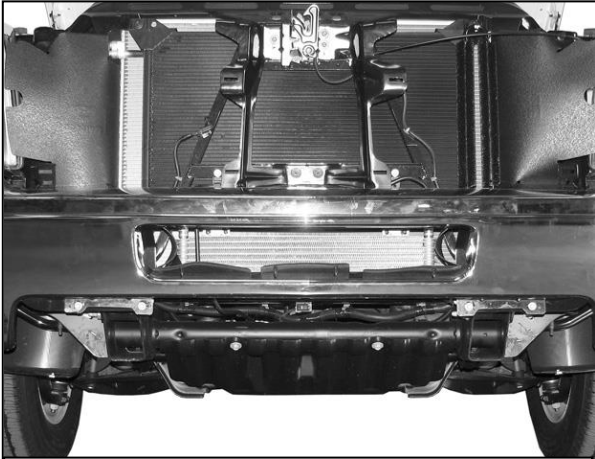
**ELEVATION BULL NOSE FRONT BUMPER  
2011-14 CHEVY SILVERADO 25-3500**

- (3) 12mm Hex Nuts, (**Figures 4, 6 & 7**). Insert (1) 12mm Bolt Plate into and down through the hole in the bottom of the frame and out through the Bracket, (**Figures 5 & 6**). Secure with (1) 12mm Flat Washer, (1) 12mm Lock Washer and (1) 12mm Hex Nut, (**Figure 6**). Do not fully tighten Bracket hardware.
6. Repeat **Step 5** to install the driver side Mounting Bracket, (**Figure 7**).
  7. Select the included Winch Tray, (**Figure 8**). Slide the Winch Tray between the Mounting Brackets. Attach the Winch Tray to the Brackets with the included (6) 12mm x 50mm Hex Bolts, (12) 12mm Flat Washers, (6) 12mm Lock Washers and (6) 12mm Hex Nuts, (**Figure 9**). Do not fully tighten hardware at this time.
  8. If installing winch, follow manufacturer's instructions to attach the winch to the Winch Tray. Winch must be installed before Bumper is placed in position against Brackets. Also install winch cable guide on Bumper assembly. Follow manufacturer's instructions to properly wire the winch to the electrical system.
  9. **Optional Center LED light installation** (sold separately). **NOTE:** Light must be installed before Bumper Assembly is attached to the Winch Tray. **IMPORTANT:** Clearance between the bar style LED light and the winch and/or winch tray must be determined before installing Bumper assembly.
    - a. Select the L/R "L" Brackets, (**Figure 10**). **NOTE:** "L" Brackets are offset for universal fitment for most LED bar style lights. Attach the LED light assembly to the "L" Brackets with the included (2) 8mm x 16mm Hex Bolts, (2) 8mm Lock Washers and (2) 8mm Flat Washers. Do not fully tighten hardware at this time. **NOTE:** "L" Brackets may require modification for hardware larger than 8mm or use brackets supplied with light if possible.
    - b. Attach the light and brackets to the top of the (2) tabs on the back of the Bumper with the included 8mm x 25mm Hex Bolts, (4) 8mm Flat Washers, (2) 8mm Lock Washers and (2) 8mm Hex Nuts, (**Figure 10**). Adjust light position and tighten hardware.
    - c. Follow light manufacturer's instructions to wire the light once Bumper has been fully installed.
  10. With assistance, carefully position the Bumper Assembly up to the Mounting Brackets. Temporarily support the weight of the Bumper. **WARNING:** To avoid possible injury or damage to the vehicle, do not proceed until the bumper is fully and safely supported. Models with winch and/or LED light, check for clearance before fully installing Bumper assembly.
  11. Line up the (3) holes in the passenger/right side of the Bumper with the (3) holes in the Bracket. Attach the mounting plate on the back of the Bumper to the Bracket with the included (3) 12mm x 50mm Hex Bolts, (6) 12mm Flat Washers, (3) 12mm Lock Washers and (3) 12mm Hex Nuts, (**Figures 11 & 12**). Do not fully tighten hardware at this time. Repeat this Step to attach the driver/left side of the Bumper to the Bracket.
  12. Level and adjust the bumper and fully tighten all 12mm hardware to 65-70ft-lbs.
  13. **Models with fog lights:**
    - a. Slide the light into place through the opening in the bumper. Push the attaching posts into the tabs on the bumper, (**Figure 13**). Repeat this Step to install remaining light.
    - b. Reattach the factory wiring harness to both lights.
    - c. **NOTE:** Mounting tabs for fog light may move during manufacturing or in shipping. Carefully bend mounting tabs to properly line up with fog light if necessary.
  14. Use the included (2) push-in Plastic Nuts to attach the front license plate, (if required), to the (2) holes in the front Bumper, (**Figure 14**).
  15. Do periodic inspections to the installation to make sure that all hardware is secure and tight.

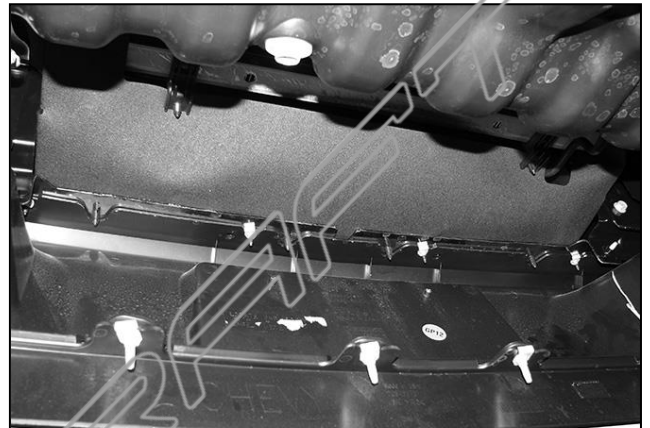
**To protect your investment**, wax this product after installing. Regular waxing is recommended to add a protective layer over the finish. Do not use any type of polish or wax that may contain abrasives that could damage the finish. Mild soap may be used to clean the Heavy Duty Front Bumper assembly.

ELEVATION BULL NOSE FRONT BUMPER  
2011-14 CHEVY SILVERADO 25-3500

Passenger Side Installation Pictured

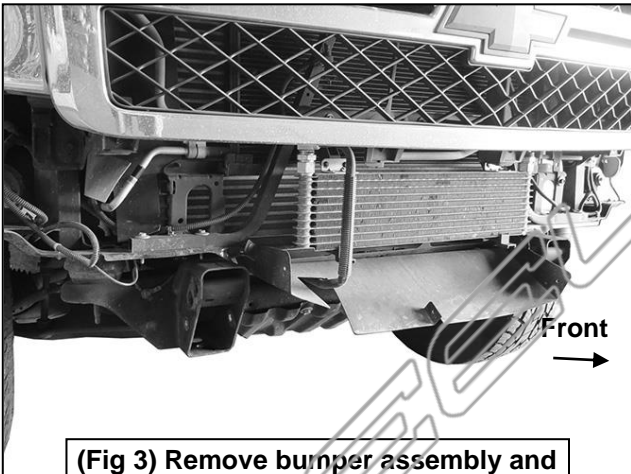


(Fig 1) Remove grille to access bumper bolts. Bumper pictured without lower air dam for instruction purposes-do not remove lower air dam for installation.



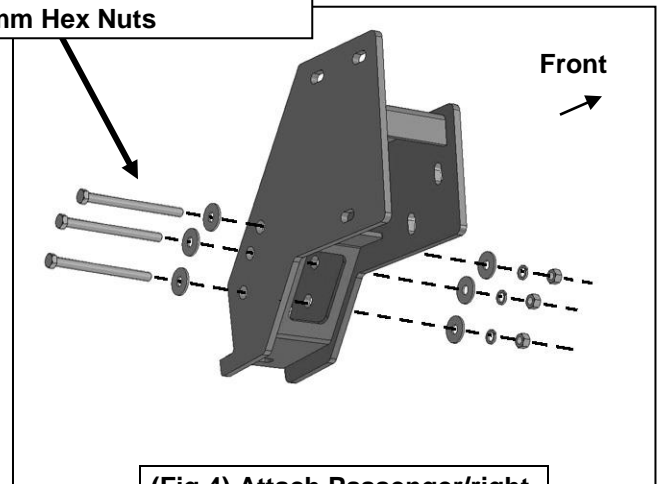
(Fig 2) Remove rubber deflector between back of bumper and bottom of radiator. Pictured from below-under front bumper.

**WARNING!** Do not remove bumper bolts unless the bumper is properly supported on blocks or stands or the bumper may fall.

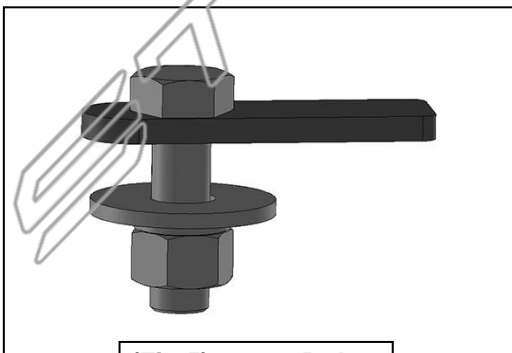


(Fig 3) Remove bumper assembly and tow hooks, reinstall plastic grille.

- (3) 12mm x 150mm Hex Bolts
- (6) 12mm Flat Washers
- (3) 12mm Lock Washers
- (3) 12mm Hex Nuts



(Fig 4) Attach Passenger/right Frame Bracket to end of frame

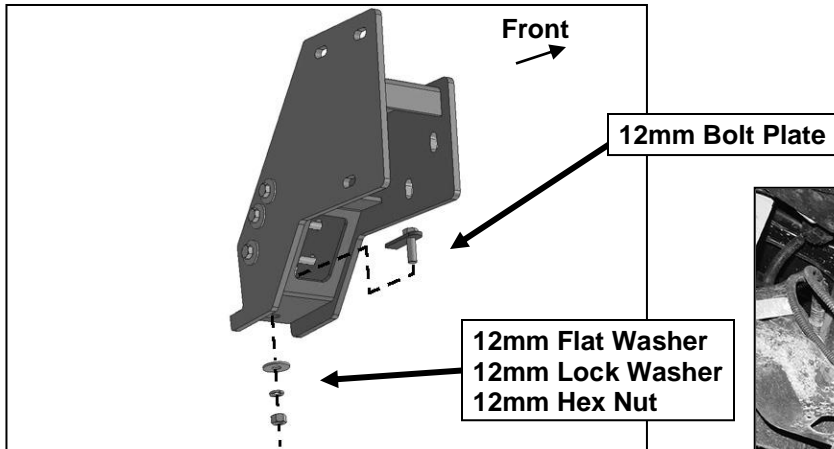


(Fig 5) 12mm Bolt Plate and hardware

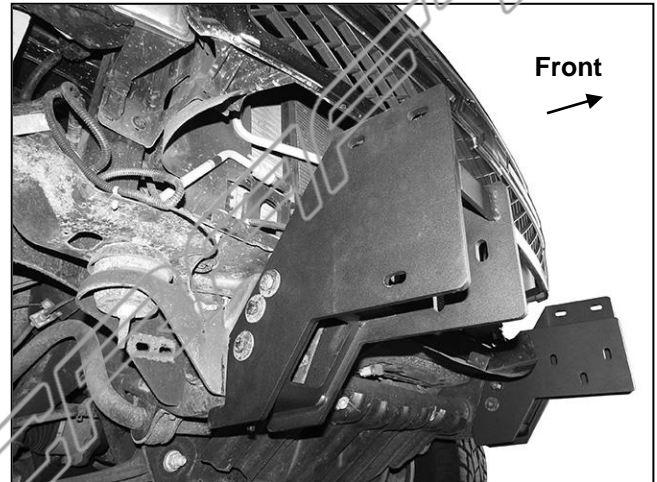
**ELEVATION BULL NOSE FRONT BUMPER  
2011-14 CHEVY SILVERADO 25-3500**

**Passenger Side Installation Pictured**

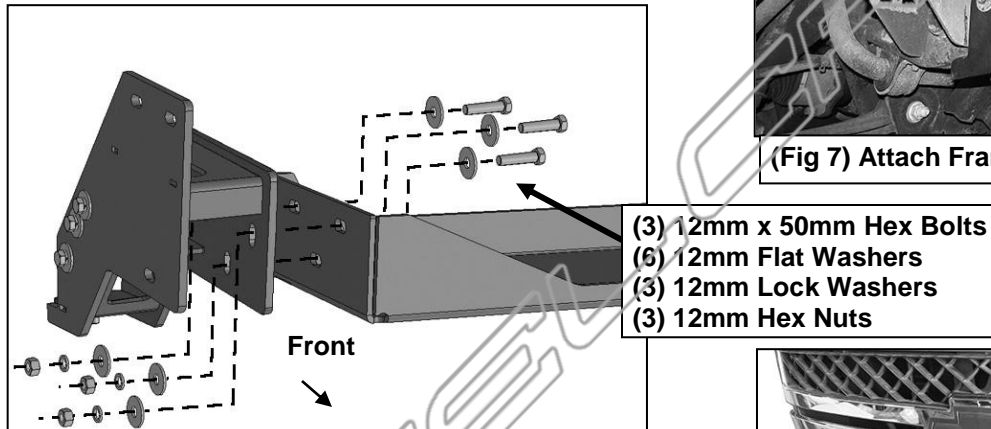
**WARNING!** Do not crawl under bumper unless the bumper is properly supported on blocks or stands or the bumper may fall.



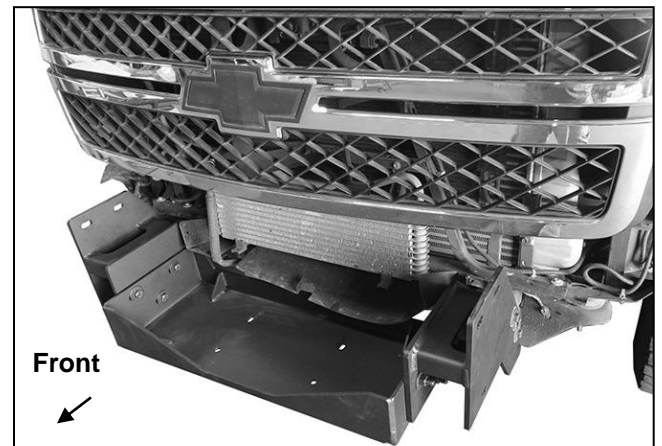
**(Fig 6) Insert Bolt Plate into Bracket Assembly and down through hole in end of frame**



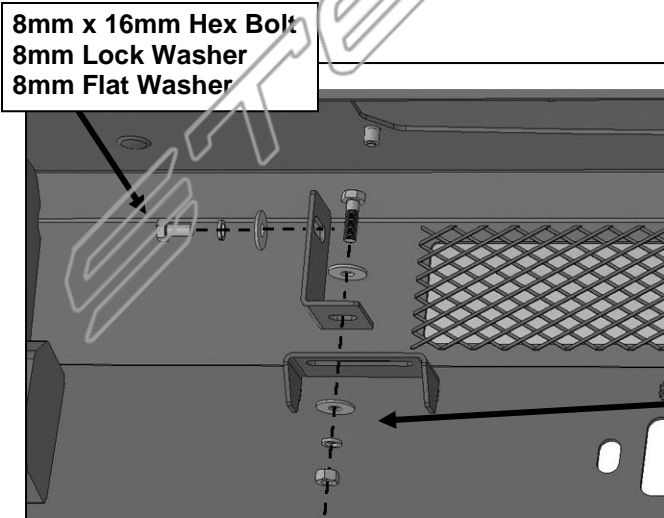
**(Fig 7) Attach Frame Brackets to ends of frame**



**(Fig 8) Attach Winch Tray to Frame Brackets**



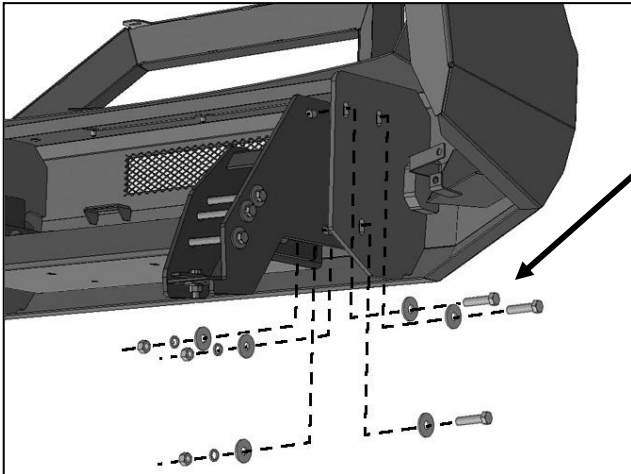
**(Fig 9) Attach Winch Tray to Frame Brackets**



**(Fig 10) Universal LED Brackets (light not included)**

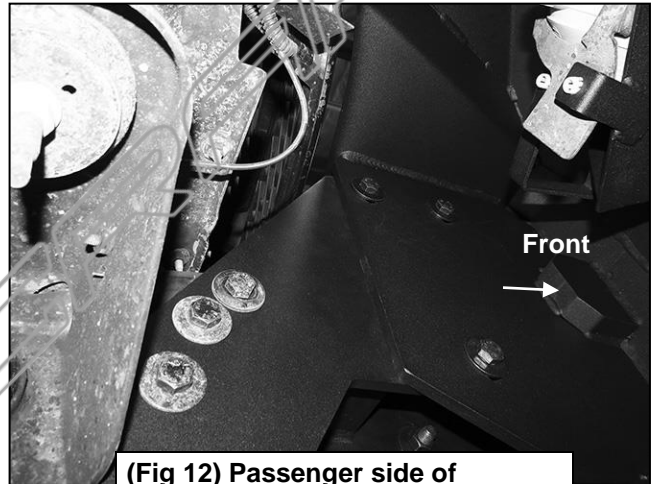
**ELEVATION BULL NOSE FRONT BUMPER  
2011-14 CHEVY SILVERADO 25-3500**

**Passenger Side Installation Pictured**

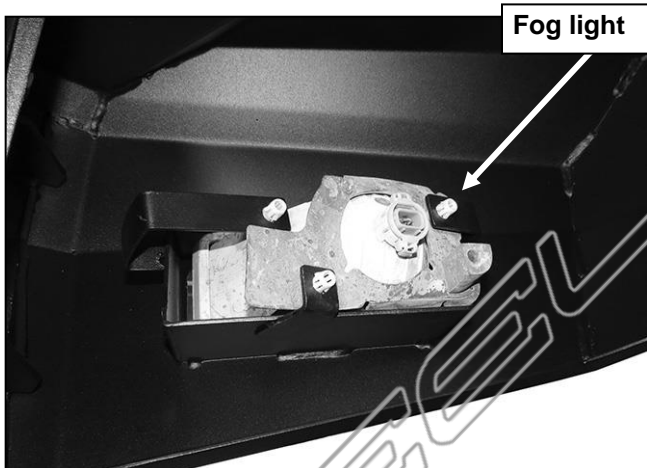


- (3) 12mm x 50mm Hex Bolts
- (6) 12mm Flat Washers
- (3) 12mm Lock Washers
- (3) 12mm Hex Nuts

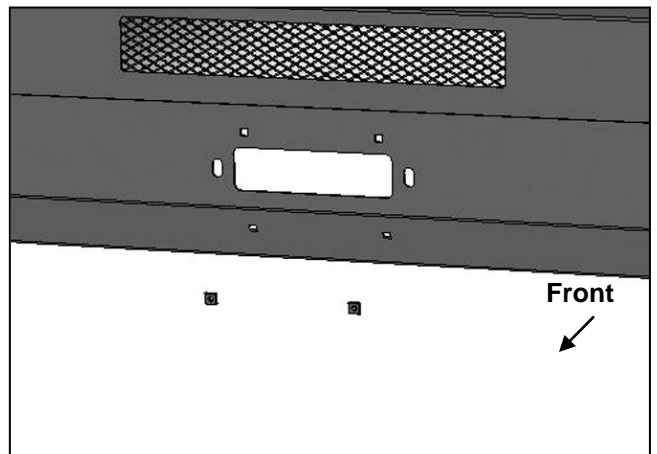
**WARNING!** Do not crawl under bumper unless the bumper is properly supported on blocks or stands or the bumper may fall.



(Fig 12) Passenger side of Bumper and Bracket assembly



(Fig 13) Attach factory fog light to mounting tabs



(Fig 14) Push plastic plugs into upper or lower holes in Bumper for license plate if required



Complete Installation