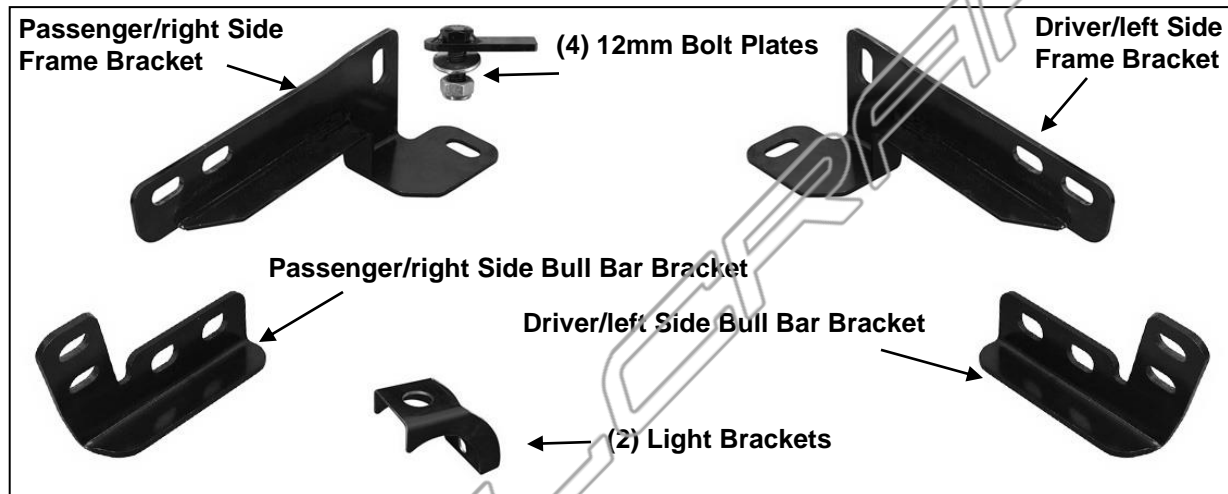


3-1/2" OVAL BULL BAR
2011-15 CHEVY SILVERADO/GMC SIERRA 2500/3500

PARTS LIST:

1	3in Bull Bar Assembly	4	12mm x 32mm OD x 3mm Flat Washer
1	Driver/left Frame Bracket	4	12-1.75mm Nylon Lock Nut
1	Passenger/Right Frame Bracket	8	10-1.5mm x 30mm Hex Bolt
1	Driver/left Bull Bar Mounting Bracket	16	10mm x 27mm OD x 3mm Flat Washer
1	Passenger/right Bull Bar Mounting Bracket	8	10-1.5mm Nylon Locknut
4	12-1.75mm x 35mm Bolt Plates	4	6-1.0mm x 20mm Button Head Bolts
2	Light Brackets	4	6mm Lock washers
		4	6mm x 18mm OD x 1.6mm Flat Washers



PROCEDURE:

- 1. REMOVE CONTENTS FROM BOX. VERIFY ALL PARTS ARE PRESENT. READ INSTRUCTIONS CAREFULLY BEFORE STARTING INSTALLATION. CUTTING MAY BE REQUIRED. INSTALLATION MAY INTERFERE WITH BUMPER MOUNTED PARKING SENSORS.**

NOTE: It may be necessary to remove/relocate front license plate and license plate bracket. It is not required, but strongly recommended. If local/state law requires a front license plate, license plate relocation kit is available.

- Starting at the driver side, remove the factory tow hook if equipped, **(Figures 1A & 1B)**. **NOTE:** This Bull Bar is not compatible with the factory tow hooks and they cannot be reinstalled. **IMPORTANT:** On some model years, with and without tow hooks, the pocket in the plastic bumper may need to be trimmed or completely cut out, **(Figure 1A)**. Use a sharp knife or hacksaw blade and carefully cut out the pocket to clear the Bull Bar Brackets. Only cut enough to clear the Brackets.
- Insert (1) 12mm Bolt Plate, **(Figure 3A)**, into the end of the frame channel, **(Figure 2)**, and out through the hole in the bottom of the frame. Insert a second Bolt Plate into and out the hole in the outer side of the frame, (factory hole for tow hook bolt), **(Figure 3B)**.
- Select the driver side Frame Bracket. Refer to illustration above for bracket configuration. Position the Frame Bracket onto the outside of the frame channel and over the (2) Bolt Plates, **(Figure 4)**. Secure the Bracket to the frame and Bolt Plates with (2) 12mm Flat Washers and (2) 12mm Nylon Lock Nuts. Leave hardware loose at this time.
- Next, select the driver side Bull Bar Mounting Bracket. Attach the Bull Bar Bracket to the inside of the Frame Bracket with the included (2) 10mm x 30mm Hex Bolts, (4) 10mm Flat Washers and (2) 10mm Nylon Lock Nuts, **(Figure 5)**. Leave hardware loose at this time. **NOTE:** On some models, it may be possible or simpler to bolt the Frame and Mounting Brackets together first and install as one piece.
- Starting at the bottom of the frame, tighten the lower 12mm Frame Bracket mounting hardware first then move to the side of the frame. Fully tighten Frame Bracket to 12mm Bolt Plate hardware only at this time. Do not tighten the 10mm Bull Bar Bracket hardware.
- Repeat **Steps 2—6** for passenger side Frame and Mounting Bracket installation.

8. With assistance, position the Bull Bar assembly up to the outside of the Mounting Brackets. Attach the Bull Bar to the Brackets with the included (4) 10mm x 30mm Hex Bolts, (8) 10mm Flat Washers and (4) 10mm Nylon Lock Nuts, **(Figure 6)**. Do not fully tighten hardware at this time.
9. Level and adjust the Bull Bar and fully tighten all remaining hardware.
10. Determine if accessory lights will be installed.

If lights will not be installed at this time:

- a) Insert the included (4) 6mm x 20mm Button Head Bolts, (4) 6mm Lock Washers and (4) 6mm Flat Washers into the threaded inserts in the back of the crossbar to plug the holes, **(Figure 7)**. Tighten hardware. Installation is complete.

If aftermarket lights will be installed, (lights not included):

- a) Select (1) Light Mount, **(Figure 8A)**. Use the hardware included with the light to attach the light to the top of the Light Mount. If light has a separate tilt feature, fully tighten base mounting hardware, **(See example Figure 8B)**. If light adjusts with the base mounting hardware, skip to **Step 10b**.
 - b) Remove the rubber plug on the top of the crossbar. Bolt the light and Light Mount to the back of the Bull Bar with the included (4) 6mm x 20mm Button Head Bolts, (4) 6mm Lock Washers and (4) 6mm Flat Washers, **(Figure 8B)**. **NOTE:** If light adjusts with the base mounting hardware, hand-tighten the light hardware; do not fully tighten hardware at this time. You may have to install, adjust, remove light with Bracket and readjust a few times to get the light properly adjusted.
 - c) Once properly adjusted, tighten light to Bracket hardware then tighten Bracket to Bull Bar hardware at this time.
 - d) Repeat the above **Steps 10a—10c** to install remaining light and Light Mount.
11. Do periodic inspections to the installation to make sure that all hardware is secure and tight.

To protect your investment, wax this product after installing. Regular waxing is recommended to add a protective layer over the finish. Do not use any type of polish or wax that may contain abrasives that could damage the finish.

For stainless steel: Aluminum polish may be used to polish small scratches and scuffs on the finish. Mild soap may be used also to clean the Bull Bar.

For gloss black finishes: Mild soap may be used to clean the Bull Bar.

Driver Side Installation Pictured

Remove the factory tow hook and hardware. Tow hook will not be reinstalled.



Fig 1A

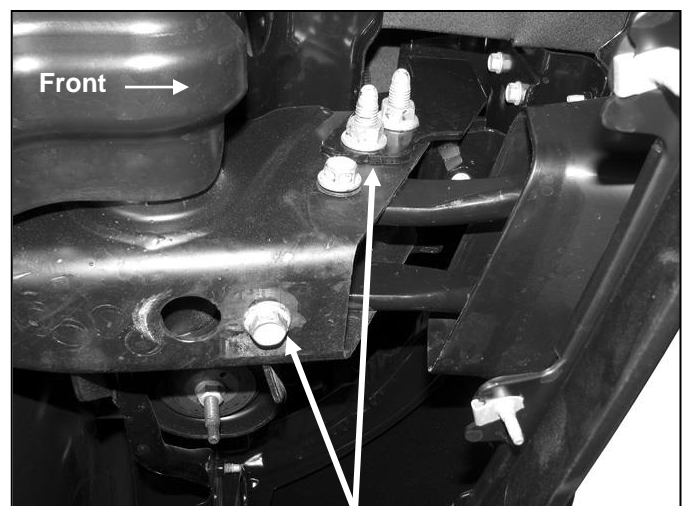
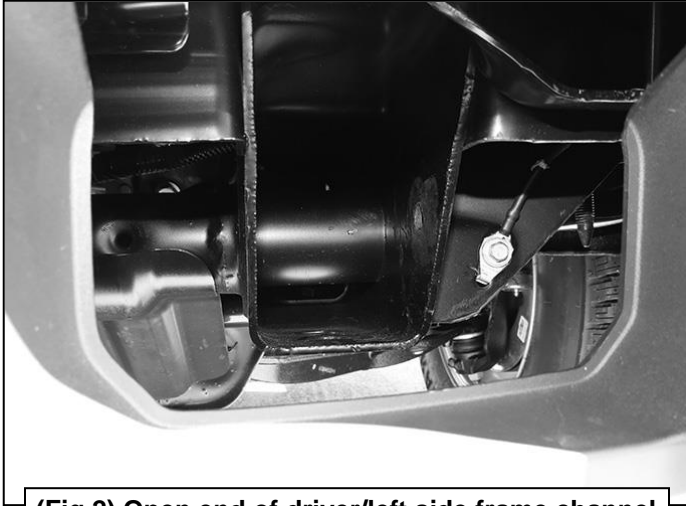


Fig 1B) Remove the tow hook and hardware, (Driver/left tow hook pictured from below bumper)

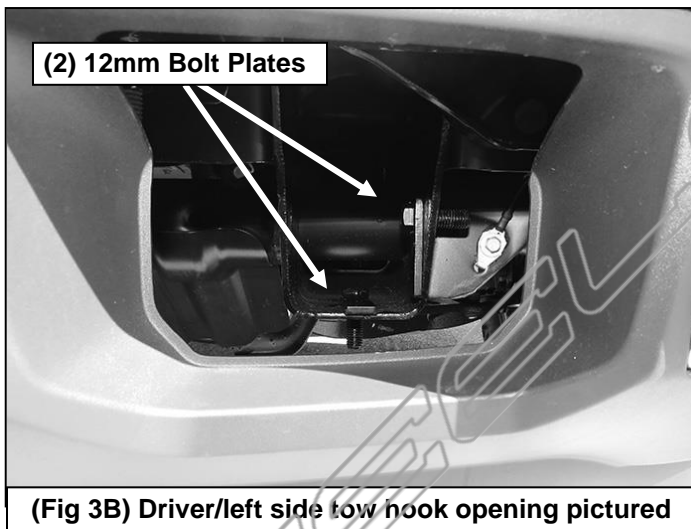
3-1/2" OVAL BULL BAR
2011-15 CHEVY SILVERADO/GMC SIERRA 2500/3500
Driver Side Installation Pictured



(Fig 2) Open end of driver/left side frame channel

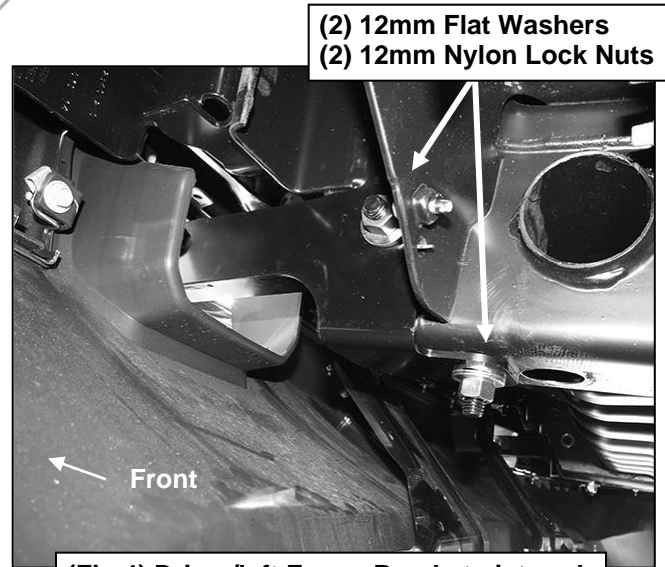


(Fig 3A) 12mm Bolt Plate with hardware



(2) 12mm Bolt Plates

(Fig 3B) Driver/left side tow hook opening pictured



(2) 12mm Flat Washers
(2) 12mm Nylon Lock Nuts

(Fig 4) Driver/left Frame Bracket pictured

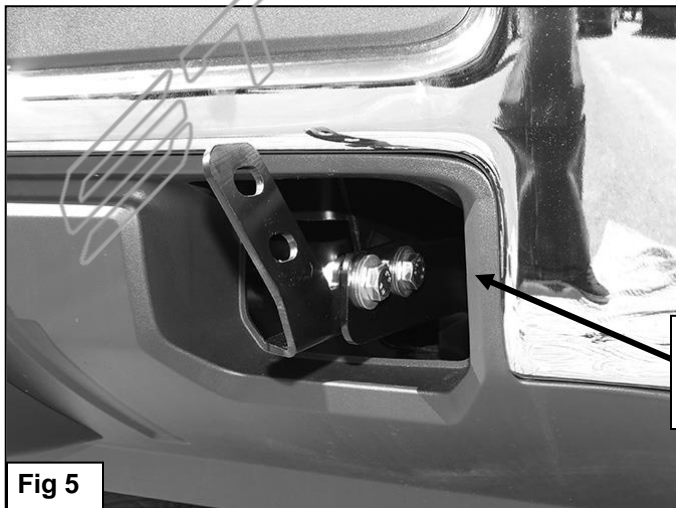
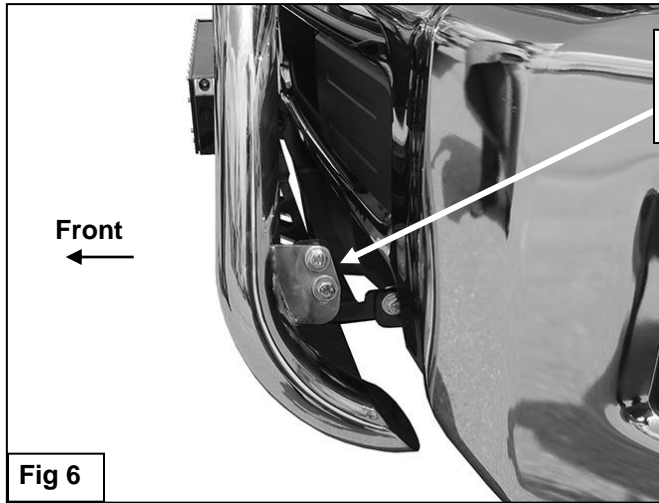


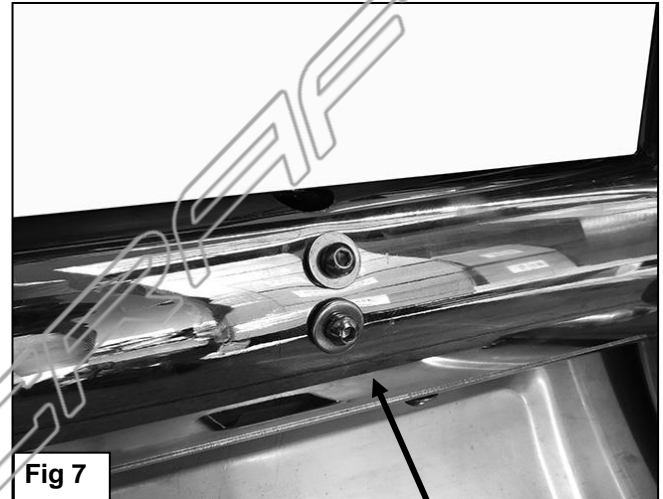
Fig 5

(2) 10mm x 30mm Hex Bolts
(4) 10mm Flat Washers
(2) 10mm Nylon Lock Nuts

3-1/2" OVAL BULL BAR
2011-15 CHEVY SILVERADO/GMC SIERRA 2500/3500
Driver Side Installation Pictured



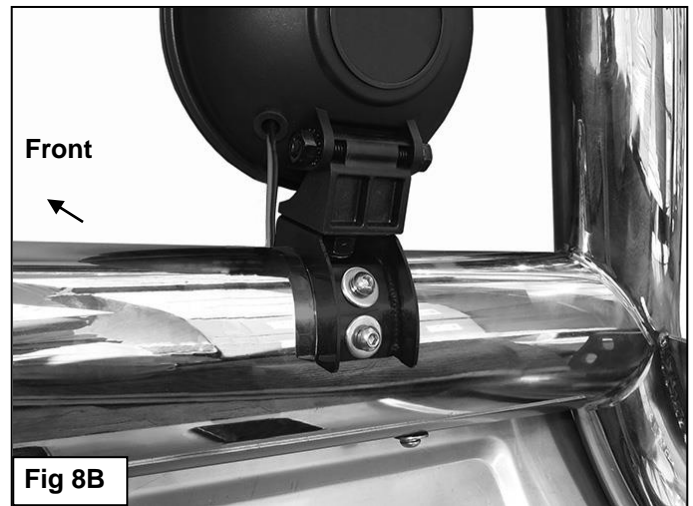
- (2) 10mm x 30mm Hex Bolts
- (4) 10mm Flat Washers
- (2) 10mm Nylon Lock Nuts



- (2) 6mm x 20mm Button Head Bolts
- (2) 6mm Lock Washers
- (2) 6mm Flat Washers



Fig 8A) Light Mounting Bracket



Light pictured for example only-
light not included

