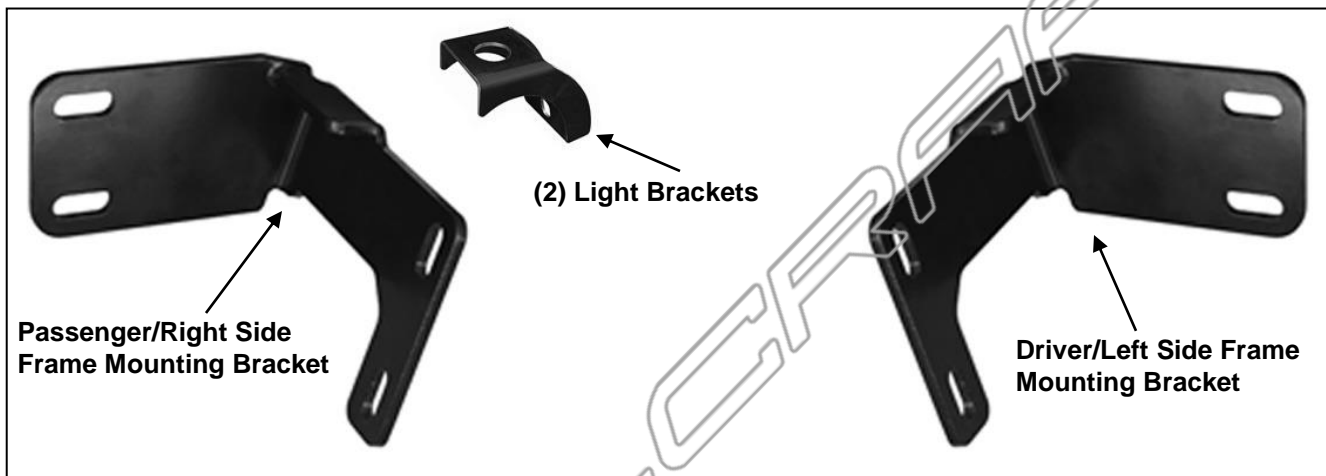


PARTS LIST:

Qty	Description	Qty	Description
1	Bull Bar	16	10mm x 27mm OD x 3mm Flat Washers
1	Driver/Left Frame Mounting Bracket	8	10mm Lock Washers
1	Passenger/Right Frame Mounting Bracket	8	10-1.5mm Hex Nuts
2	Light Brackets	4	6-1.0mm x 20mm Button Head Bolts
8	10-1.5mm x 35mm Hex Bolts	4	6mm Lock Washers
		4	6mm x 18mm OD x 1.6mm Flat Washers



PROCEDURE:

- REMOVE CONTENTS FROM BOX. VERIFY ALL PARTS ARE PRESENT. READ INSTRUCTIONS CAREFULLY BEFORE STARTING INSTALLATION. TOW HOOKS CANNOT BE REINSTALLED WITH THIS BULL BAR. INSTALLATION MAY INTERFERE WITH FRONT BUMPER MOUNTED SENSORS.**
- NOTE:** It may be necessary to remove/relocate front license plate and license plate bracket. It is not required, but strongly recommended. If local/state law requires a visible front license plate, a license plate relocation kit is available.
- Starting at the front of the vehicle, determine if the truck is equipped with or without factory tow hooks, **(Figure 1)**.
Models without tow hooks:
 Remove the plastic panel covering the opening in the center of the bumper, **(Figure 3)**.
Models with tow hooks:
 Remove the (4) hex bolts holding the passenger side tow hook to the frame, **(Figure 1)**. Remove the tow hook, **(Figure 3)**. **TIP:** Removing the inner hex bolts securing each tow hook can be difficult to reach from behind the bumper, (long socket extensions required). It may be easier to access the (2) hex bolts by going through the front of the bumper and holding the hex nuts in place with an open-ended wrench, **(Figure 2)**. Repeat this Step to remove the driver side tow hook.
- Select the passenger side Frame Mounting Bracket, **(Figure 4)**. Bolt the Bracket to the (2) outer holes for the tow hook with the factory hardware or the included (2) 10mm x 35mm Hex Bolts, (4) 10mm Flat Washers, (2) 10mm Lock Washers and (2) 10mm Hex Nuts, **(Figures 3 & 5)**. Snug the hardware but do not tighten at this time.
- Repeat **Step 4** for driver side Frame Mounting Bracket installation.
- With help, position the Bull Bar up to the outside of the Mounting Brackets. Use the included (4) 10mm x 35mm Hex Bolts, (8) 10mm Flat Washers, (4) 10mm Lock Washers and (4) 10mm Hex Nuts to attach the Bull Bar to the Mounting Brackets, **(Figure 5)**. Snug but do not tighten hardware.
- Stand back from the vehicle and check to see that the Bull Bar is centered and level on the vehicle and adjust as necessary. Once properly adjusted, tighten all hardware.

**3-1/2" OVAL BULL BAR
2010-14 DODGE RAM 25-3500**

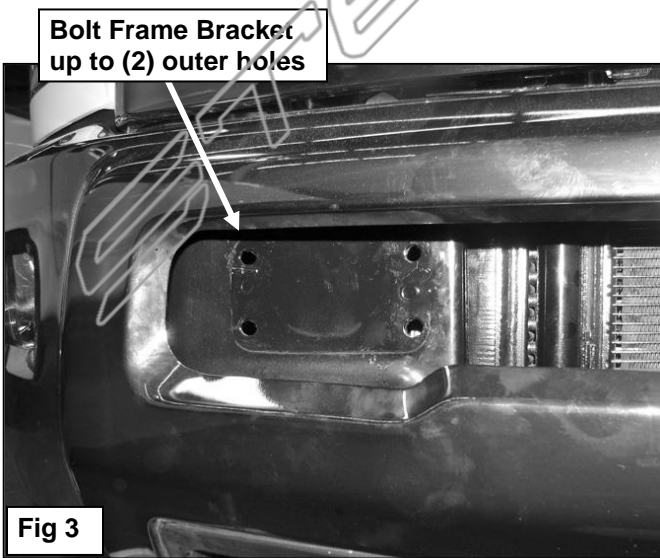
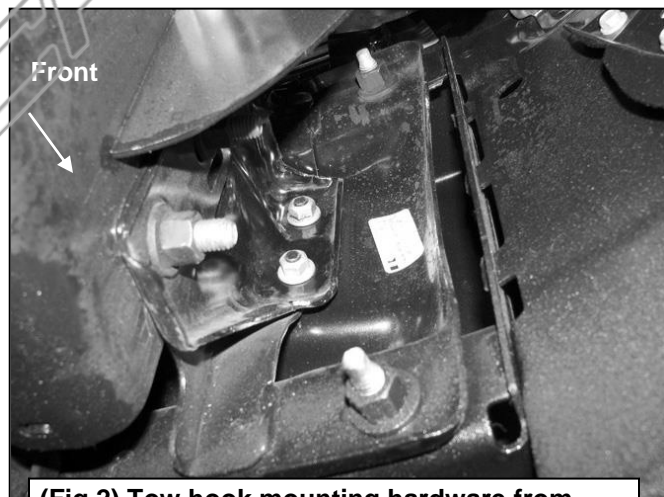
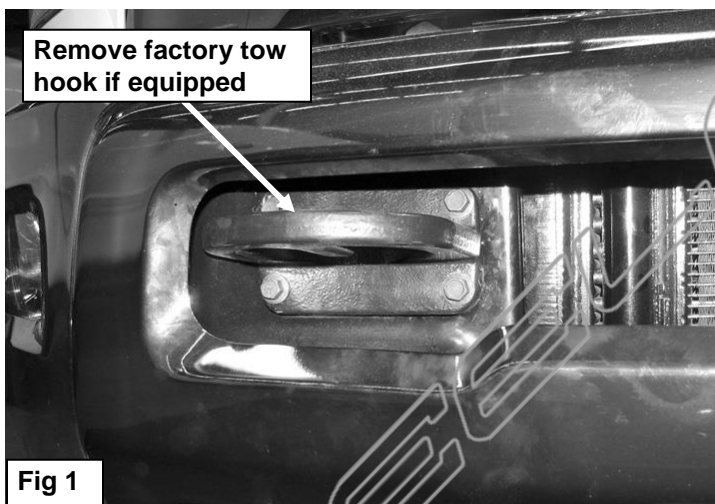
8. If not installing lights at this time, use the included (4) 6mm Button Head Bolts, (4) 6mm Lock Washers and (4) 6mm Flat Washers to plug the (4) threaded holes in the back of the cross bar, **(Figure 6)**.
9. If aftermarket lights, (not included), are to be installed, remove the rubber plugs on the top of the cross bar. Select (1) Light Bracket, **(Figure 7)**. Attach the light to the Light Bracket using the hardware included with the light. Attach the light and Bracket to the back of the Bull Bar with (2) 6mm Button Head Bolts, (2) 6mm Lock Washers and (2) 6mm Flat Washers, **(Figure 8)**. Adjust the light as desired. **NOTE:** Depending on light design, repeated removal and reinstallation of the light and Bracket may be required for proper adjustment. Tighten all hardware.
10. Repeat **Step 9** to install the second light.
11. Do periodic inspections to the installation to make sure that all hardware is secure and tight.

To protect your investment, wax this product after installing. Regular waxing is recommended to add a protective layer over the finish. Do not use any type of polish or wax that may contain abrasives that could damage the finish.

For stainless steel: Aluminum polish may be used to polish small scratches and scuffs on the finish. Mild soap may be used also to clean the Bull Bar.

For gloss black finishes: Mild soap may be used to clean the Bull Bar

Passenger Side Installation Pictured



Passenger Side Installation Pictured



- (2) 10mm x 35mm Hex Bolts
- (4) 10mm Flat Washers
- (2) 10mm Lock Washers
- (2) 10mm Hex Nuts

- (2) 6mm Button Head Bolts
- (2) 6mm Lock Washers
- (2) 6mm Flat Washers

(Fig 5) Passenger/right Mounting Bracket

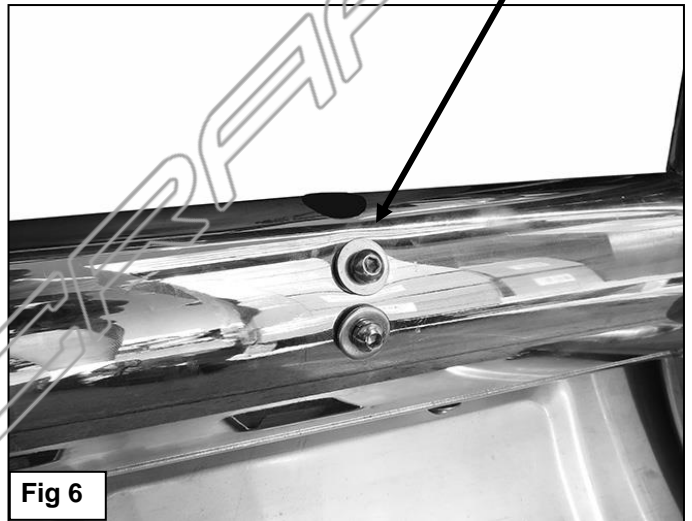


Fig 6



(Fig 7) Light Bracket



Fig 8

- (2) 6mm Button Head Bolts
- (2) 6mm Lock Washers
- (2) 6mm Flat Washers
- (light not included)



Installation Complete