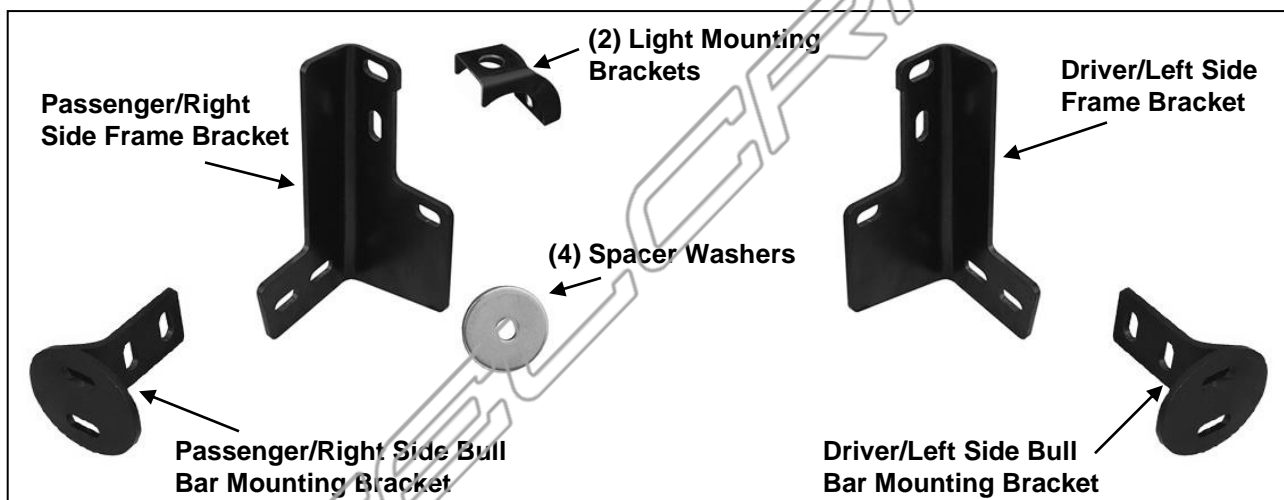


**PARTS LIST:**

| Qty | Description                               | Qty | Description                             |
|-----|---|-----|---|
| 1   | Driver/Left Frame Mounting Bracket        | 10  | 10mm x 20mm OD x 2mm Small Flat Washers |
| 1   | Passenger/Right Frame Mounting Bracket    | 6   | 10mm Lock Washers                       |
| 1   | Driver/Left Bull Bar Mounting Bracket     | 6   | 10mm Hex Nuts                           |
| 1   | Passenger/Right Bull Bar Mounting Bracket | 4   | 8-1.25mm x 35mm Hex Bolts               |
| 2   | Light Brackets                            | 4   | 8mm x 24mm OD x 2mm Flat Washers        |
| 4   | Large Spacer Washers                      | 4   | 8mm Lock Washers                        |
| 2   | 10-1.50mm x 120mm x 30mm Hex Bolts        | 4   | 6-1.0mm x 20mm Button Head Bolts        |
| 4   | 10-1.50mm x 30mm Hex Bolts                | 4   | 6mm x 18mm OD x 1.6mm Flat Washers      |
| 2   | 10mm x 30mm OD x 2.5mm Large Flat Washers | 4   | 6mm Lock Washers                        |
|     |   | 1   | Wrench                                  |



**PROCEDURE:**

1. REMOVE CONTENTS FROM BOX. VERIFY ALL PARTS ARE PRESENT. READ INSTRUCTIONS CAREFULLY BEFORE STARTING INSTALLATION. NOT COMPATIBLE WITH OPTIONAL FULL COVERAGE FACTORY ALUMINUM SKID PLATE. OPTIONAL SKID PLATE MUST BE REMOVED AND CANNOT BE REINSTALLED.
2. Start installation at the passenger side, front of the vehicle. Remove the (2) outer factory hex nuts attaching the bumper mount to the end of the frame, **(Figure 1)**. **NOTE:** It may be necessary to temporarily remove the factory tow hook from the passenger side.
3. Select the passenger side frame mounting bracket. Slide the Bracket over the (2) threaded studs. Secure the Bracket to the studs with the factory hex nuts, **(Figures 2 & 6)**. Leave hardware loose at this time.
4. Slide (1) Large Spacer Washer between the Mounting Bracket and the frame cross member, **(Figures 3A & 3B)**. Insert (1) 10mm x 120mm Hex Bolt with (1) 10mm x 20mm OD Small Flat Washer and (1) Large Spacer Washer into and through the hole in the back of the cross member. Make sure the Spacer Washer is against the cross member covering the large hole, **(Figures 4 & 6)**. Push the long bolt through the outer Spacer Washer and Frame Bracket. Secure the Bracket to the Bolt with (1) 10mm x 30mm Large Flat Washer, (1) 10mm Lock Washer and (1) 10mm Hex Nut, **(Figures 5 & 6)**. Leave hardware loose at this time.
5. Repeat **Steps 2—4** for driver side Bracket installation.
6. Next, carefully unwrap the Bull Bar, **(Figure 7)**. Select the passenger side Bull Bar Mounting Bracket, **(Figure 8)**. Attach the Bracket to the end of the Bull Bar with (2) 8mm x 35mm Hex Bolts, (2) 8mm Lock washers and (2) 8mm Flat Washers, **(Figure 9)**. Center the mounting flange on the Bracket with the

**3-1/2" OVAL BULL BAR  
05-14 TOYOTA TACOMA**

end of the tube on the Bull Bar. Snug but do not tighten hardware. Repeat this Step to install the passenger side Mounting Bracket.

7. With assistance, line up the mounting tabs on the Bull Bar with the outside of the (2) previously installed Frame Mounting Brackets. Bolt the Bull Bar to the Frame Mounting Brackets with the included (4) 10mm x 30mm Hex Bolts, (8) 10mm x 20mm OD Small Flat Washers, (4) 10mm Lock Washers and (4) 10mm Hex Nuts, **(Figures 10A & 10B)**. Snug but do not tighten hardware at this time.
8. Level and adjust the Bull Bar properly and tighten all hardware. Reinstall the tow hook if removed.
9. Determine if accessory lights will be installed.

**If lights will not be installed at this time:**

- a) Insert the included (4) 6mm x 20mm Button Head Bolts, (4) 6mm Lock Washers and (4) 6mm Flat Washers into the threaded inserts in the back of the crossbar to plug the holes, **(Figure 11)**. Tighten hardware. Installation is complete.

**If aftermarket lights will be installed, (lights not included):**

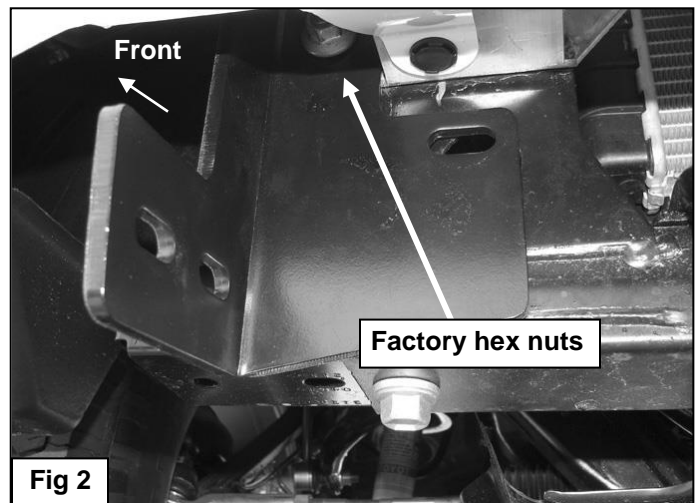
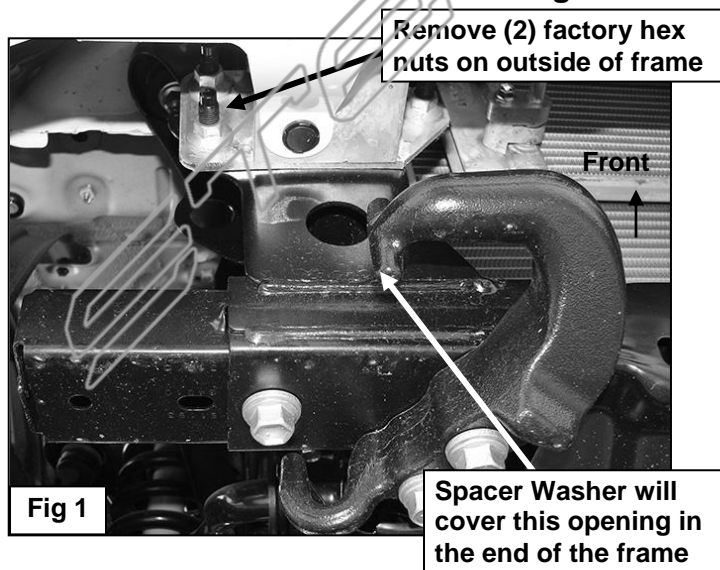
- a) Select (1) Light Mount, **(Figure 12)**. Use the hardware included with the light to attach the light to the top of the Light Mount. If light has a separate tilt feature, fully tighten base mounting hardware, **(See example Figure 13)**. If light adjusts with the base mounting hardware, skip to **Step 9b**.
  - b) Remove the rubber plug on the top of the crossbar. Bolt the light and Light Mount to the back of the Bull Bar with the included (4) 6mm x 20mm Button Head Bolts, (4) 6mm Lock Washers and (4) 6mm Flat Washers, **(Figure 13)**. **NOTE:** If light adjusts with the base mounting hardware, hand-tighten the light hardware; do not fully tighten hardware at this time. You may have to install, adjust, remove light with Bracket and readjust a few times to get the light properly adjusted.
  - c) Once properly adjusted, tighten light to Bracket hardware then tighten Bracket to Bull Bar hardware.
  - d) Repeat the above **Steps 9a—9c** to install remaining light and Light Mount.
10. Do periodic inspections to the installation to make sure that all hardware is secure and tight.

**To protect your investment**, wax this product after installing. Regular waxing is recommended to add a protective layer over the finish. Do not use any type of polish or wax that may contain abrasives that could damage the finish.

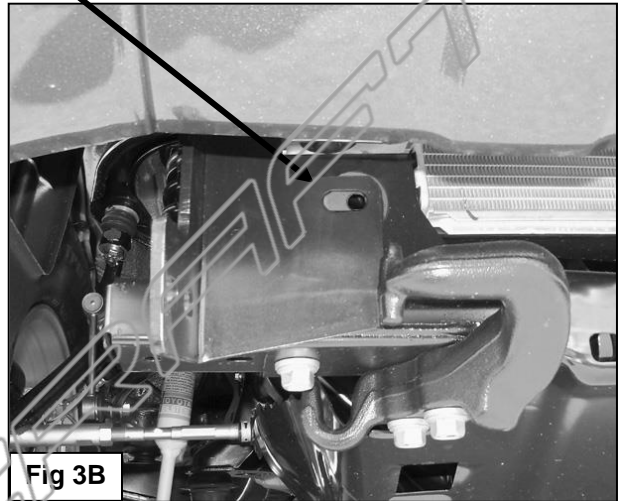
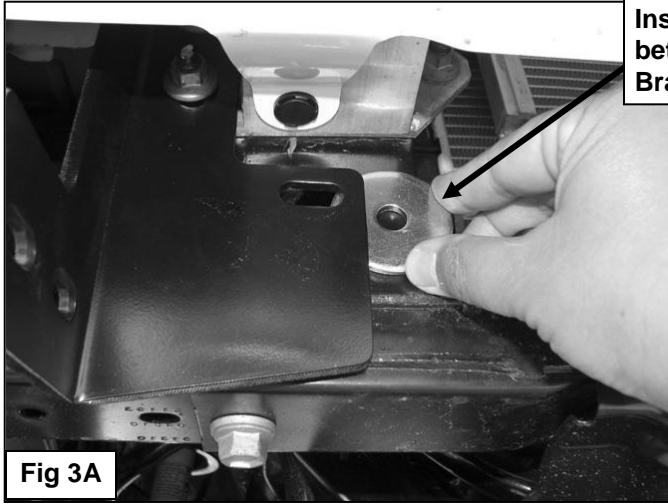
**For stainless steel:** Aluminum polish may be used to polish small scratches and scuffs on the finish. Mild soap may be used also to clean the Bull Bar.

**For gloss black finishes:** Mild soap may be used to clean the Bull Bar.

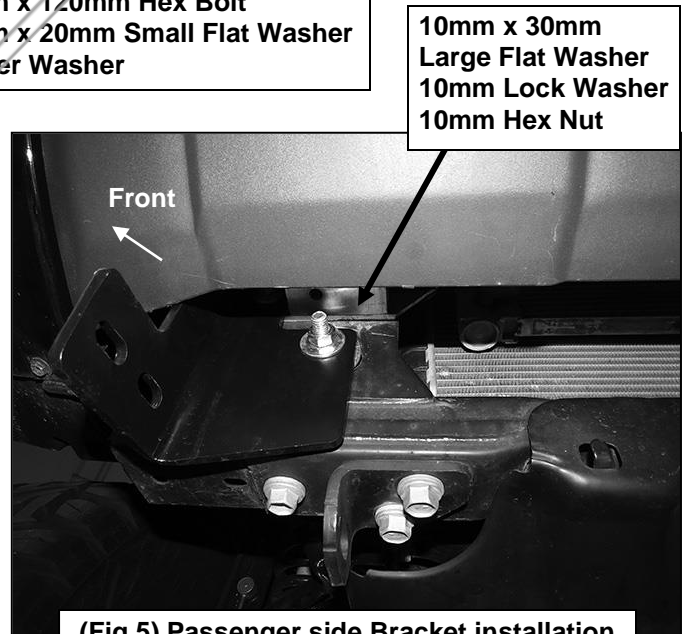
**Passenger Side Installation Pictured**



Passenger Side Installation Pictured



(Fig 4) Passenger side pictured from behind bumper



(Fig 5) Passenger side Bracket installation

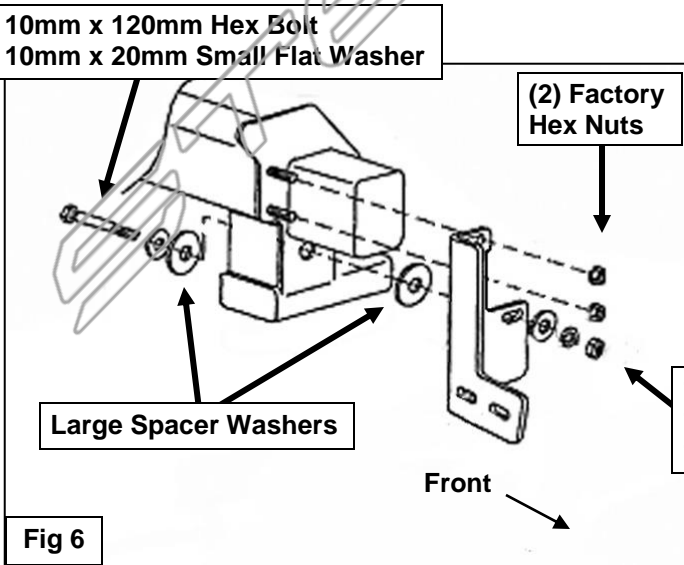
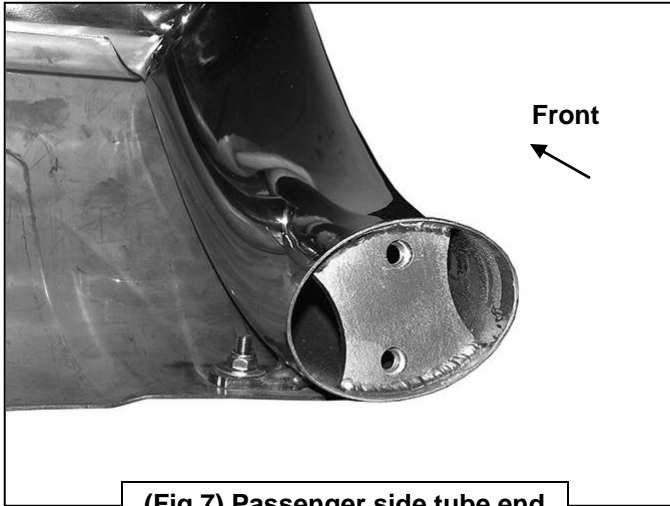
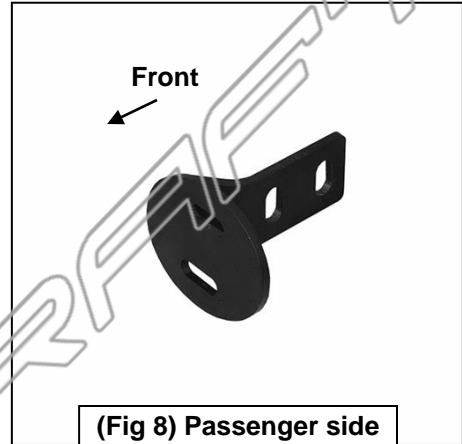


Fig 6

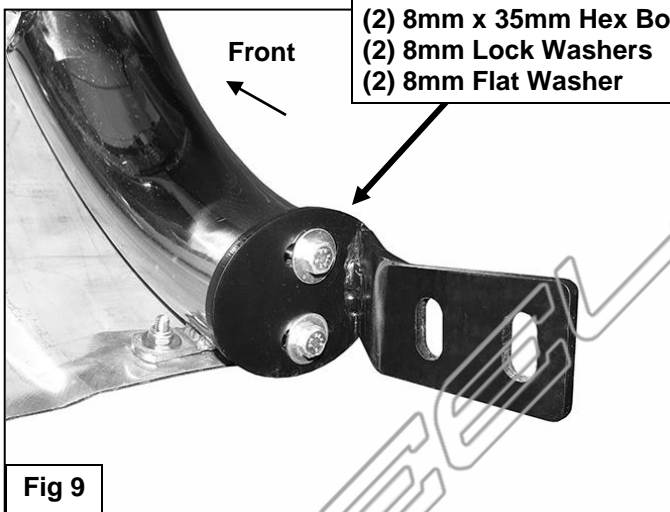
Passenger Side Installation Pictured



(Fig 7) Passenger side tube end



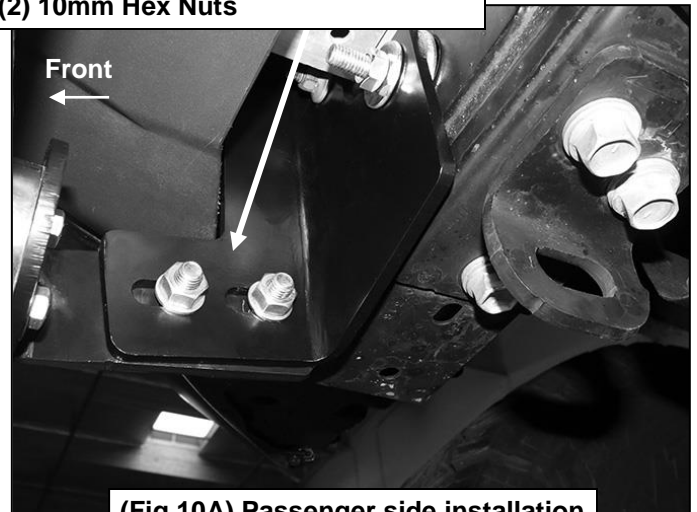
(Fig 8) Passenger side tube mounting Bracket



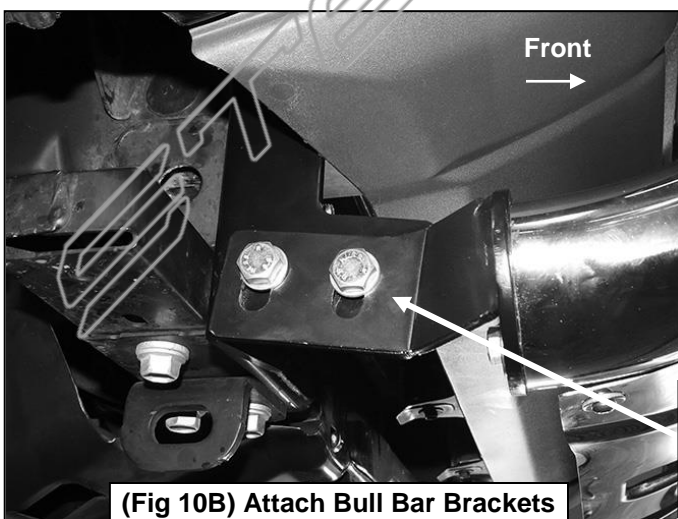
- (2) 8mm x 35mm Hex Bolts
- (2) 8mm Lock Washers
- (2) 8mm Flat Washer

Fig 9

- (2) 10mm x 30mm Hex Bolts
- (4) 10mm x 20mm Small Flat Washers
- (2) 10mm Lock Washers
- (2) 10mm Hex Nuts



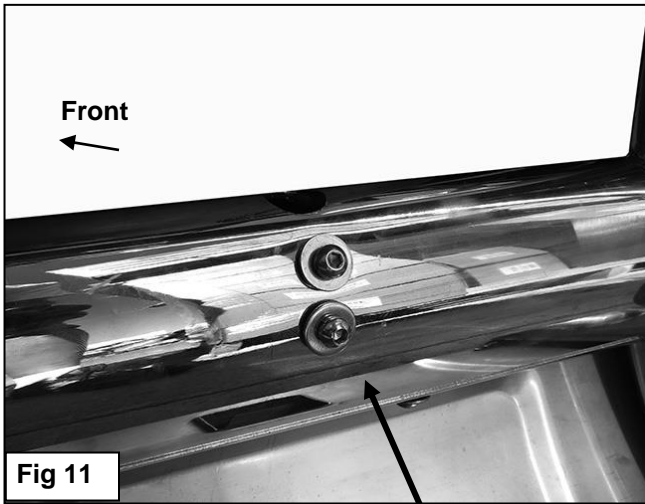
(Fig 10A) Passenger side installation



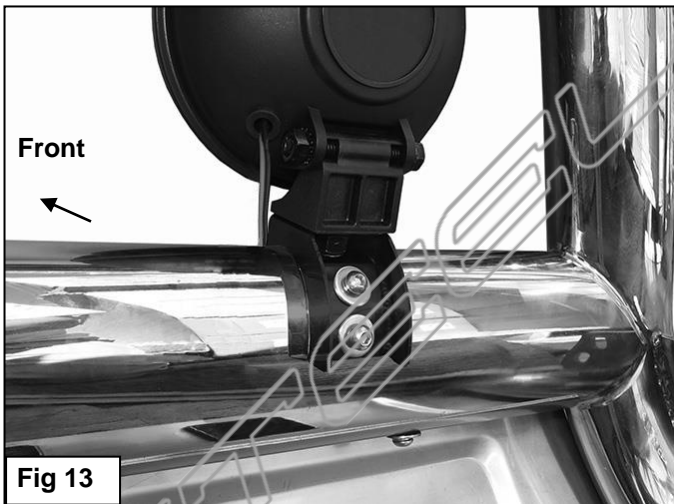
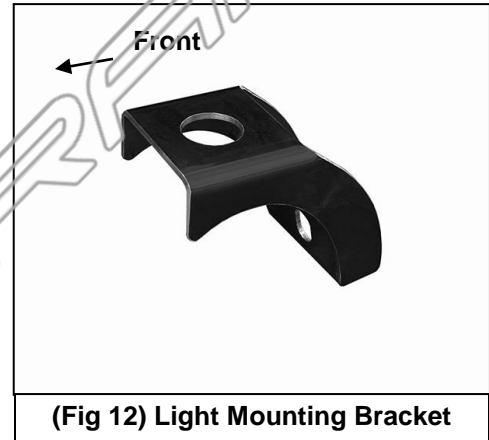
(Fig 10B) Attach Bull Bar Brackets to outside of Frame Brackets

- (2) 10mm x 30mm Hex Bolts
- (4) 10mm x 20mm Small Flat Washers
- (2) 10mm Lock Washers
- (2) 10mm Hex Nuts

3-1/2" OVAL BULL BAR  
05-14 TOYOTA TACOMA



- (2) 6mm x 20mm Button Head Bolts
- (2) 6mm Lock Washers
- (2) 6mm Flat Washers



Light pictured for example only-  
light not included

