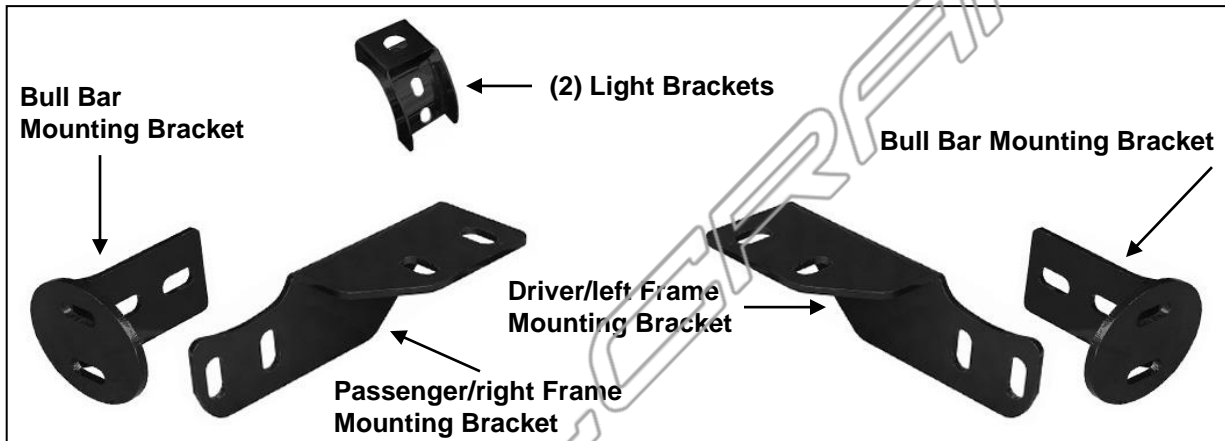


**3-1/2" OVAL BULL BAR
07-14 TOYOTA TUNDRA
08-14 TOYOTA SEQUOIA**

PARTS LIST:

| | | | |
|---|--|---|------------------------------------|
| 1 | Bull Bar | 4 | 12-1.75mm Nylon Lock Nuts |
| 1 | Driver Side Frame Mounting Bracket | 4 | 8-1.25mm x 30mm Hex Bolts |
| 1 | Passenger Side Frame Mounting Bracket | 4 | 8mm x 24mm OD x 2mm Flat Washers |
| 2 | Bull Bar Mounting Brackets (left or right) | 4 | 8mm Lock Washers |
| 2 | Light Brackets | 4 | 6-1.0mm x 20mm Button Head Bolts |
| 4 | 12-1.75mm x 30mm Hex Bolts | 4 | 6mm x 18mm OD x 1.6mm Flat Washers |
| 8 | 12mm x 32mm OD x 3mm Flat Washers | 4 | 6mm Lock Washers |



PROCEDURE:

REMOVE CONTENTS FROM BOX. VERIFY ALL PARTS ARE PRESENT. READ INSTRUCTIONS CAREFULLY BEFORE STARTING INSTALLATION. INSTALLATION MAY INTERFERE WITH FRONT MOUNTED SENSORS. NOT RECOMMENDED FOR VEHICLES WITH OPTIONAL "ACTIVE" LASER GUIDED CRUISE CONTROL SYSTEMS.

- NOTE:** It may be necessary to remove/relocate the front license plate and license plate bracket. It is not required for installation but strongly recommended. If local/state law requires a license plate, license plate relocation kit is available.
- Start installation at the driver side, front of the vehicle. Remove the driver side tow hook, **(Figure 1)**.
- Select the driver side Frame Bracket, **(Figure 2)**. Check the fit between the tow hook and the Bracket for reinstallation over the Bracket. **NOTE:** Some factory tow hooks may not clear the Bracket and cannot be reinstalled. Check for fit before bolting tow hook and Bracket in place.
- Bolt the Bracket to the underside of the frame channel reusing the factory tow hook bolts, either with or without the tow hook, **(Figure 3)**. Do not fully tighten hardware at this time.
- Repeat **Steps 2—4** for passenger side Frame Mounting Bracket installation.
- Carefully unwrap the Bull Bar. Select (1) Bull Bar Mounting Bracket, **(Figure 4)**. Bolt the Bracket to the end of the Bull Bar with (2) 8mm Hex Bolts, (2) 8mm Lock Washers and (2) 8mm Flat Washers, **(Figure 5)**. Leave hardware loose at this time.
- Repeat **Step 6** to install the passenger side Mounting Bracket.
- With assistance, line up the Mounting Brackets on the Bull Bar with the outside of the Frame Brackets. Bolt the Bull Bar to the Frame Brackets with the included (4) 12mm x 30mm Hex Bolts, (8) 12mm Flat Washers and (4) 12mm Nylon Lock Nuts, **(Figure 5)**. Do not tighten hardware at this time.
- Level and adjust the Bull Bar properly and tighten all hardware.
- Use the included (4) 6mm Button Head Bolts, (4) 6mm Lock Washers and (4) 6mm Flat Washers to plug the (4) threaded holes in the back of the cross bar, **(Figure 6)**.
- If aftermarket lights, (not included), are to be installed, remove the rubber plugs on the top of the cross bar. Select (1) Light Bracket, **(Figure 7)**. Attach the light to the Light Bracket using the hardware included with the light. Attach the light and Bracket to the back of the Bull Bar with (2) 6mm Button Head Bolts, (2) 6mm Lock Washers and (2) 6mm Flat Washers, **(Figure 8)**. Adjust the light as desired.

**3-1/2" OVAL BULL BAR
07-14 TOYOTA TUNDRA
08-14 TOYOTA SEQUOIA**

NOTE: Depending on light design, repeated removal and reinstallation of the light and Bracket may be required for proper adjustment. Tighten all hardware.

12. Repeat **Step 11** to install the second light.

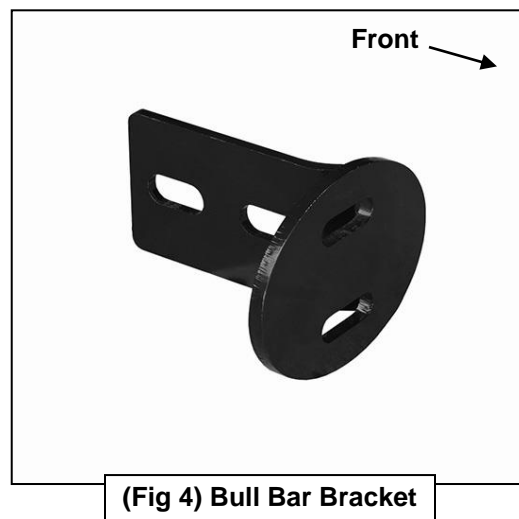
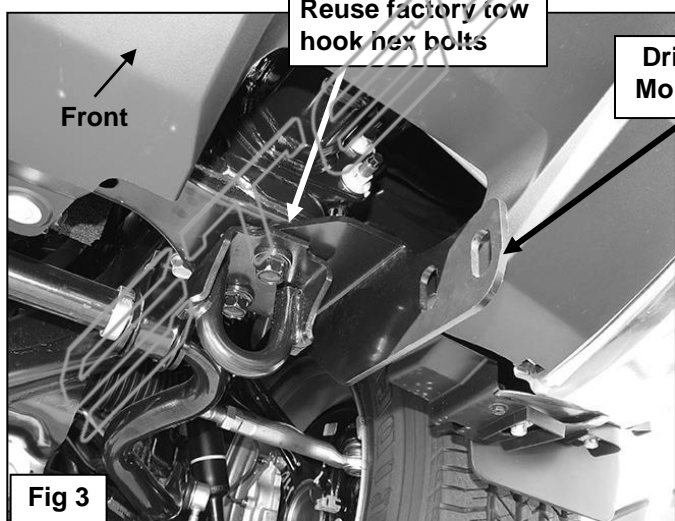
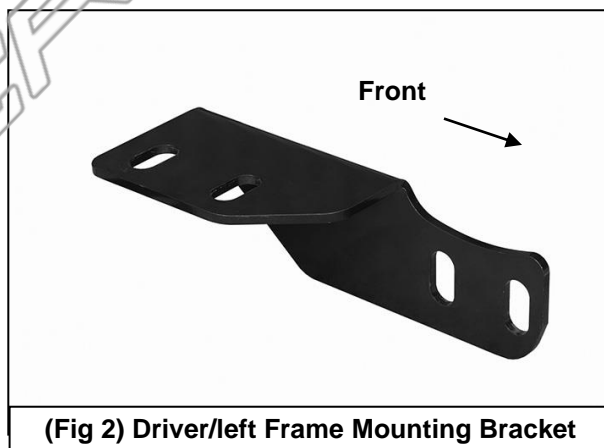
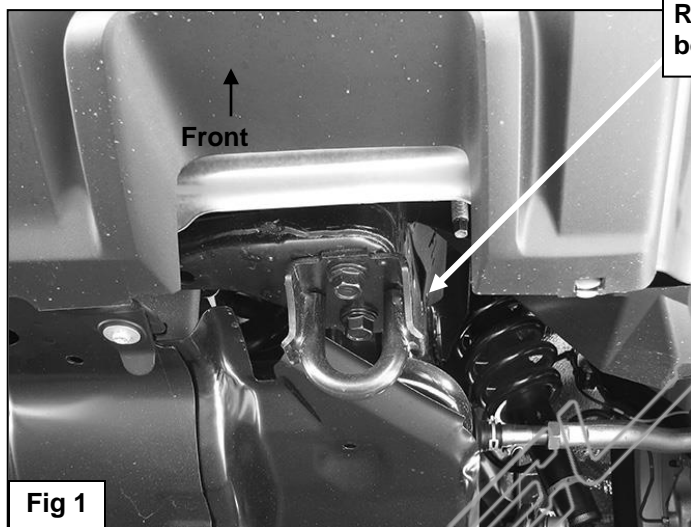
13. Do periodic inspections to the installation to make sure that all hardware is secure and tight.

To protect your investment, wax this product after installing. Regular waxing is recommended to add a protective layer over the finish. Do not use any type of polish or wax that may contain abrasives that could damage the finish.

For stainless steel: Aluminum polish may be used to polish small scratches and scuffs on the finish. Mild soap may be used also to clean the Bull Bar.

For gloss black finishes: Mild soap may be used to clean the Bull Bar.

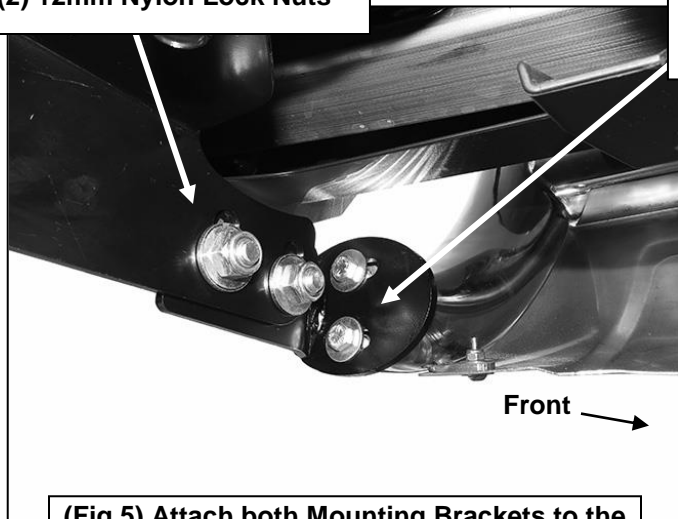
Driver Side Installation Pictured



**3-1/2" OVAL BULL BAR
07-14 TOYOTA TUNDRA
08-14 TOYOTA SEQUOIA**

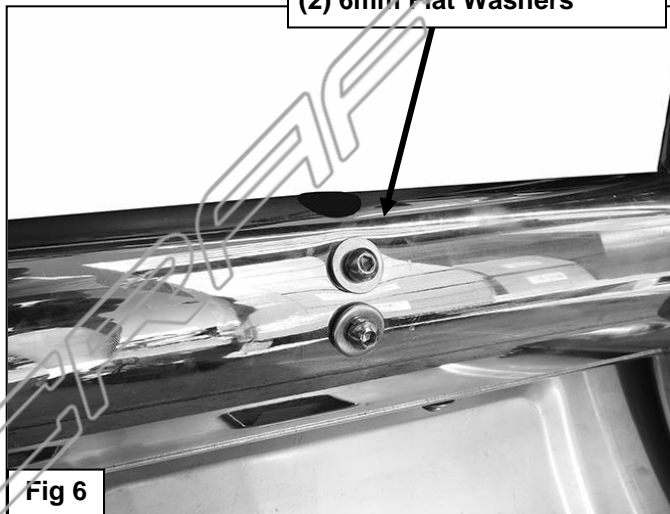
Driver Side Installation Pictured

- (2) 12mm x 30mm Hex Bolts
- (4) 12mm Flat Washers
- (2) 12mm Nylon Lock Nuts

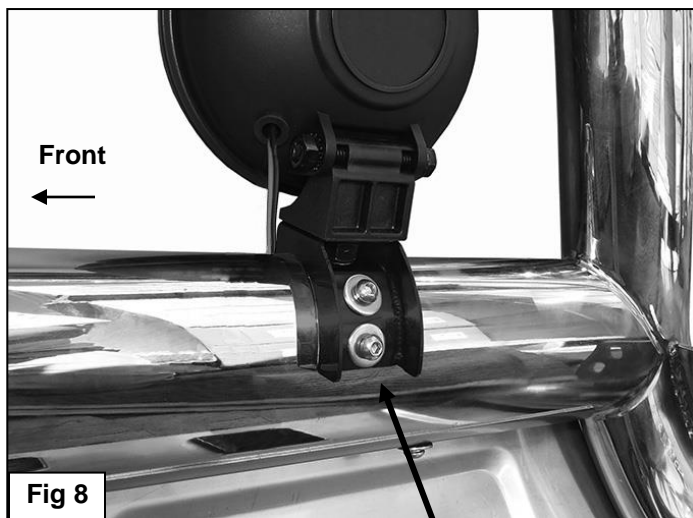


- (2) 8mm Hex Bolts
- (2) 8mm Lock Washers
- (2) 8mm Flat Washers

- (2) 6mm Button Head Bolts
- (2) 6mm Lock Washers
- (2) 6mm Flat Washers



(Fig 5) Attach both Mounting Brackets to the ends of the Bull Bar first, then attach the Bull Bar and Brackets to the Frame Brackets



- (2) 6mm Button Head Bolts
- (2) 6mm Lock Washers
- (2) 6mm Flat Washers
- (Light not included)

