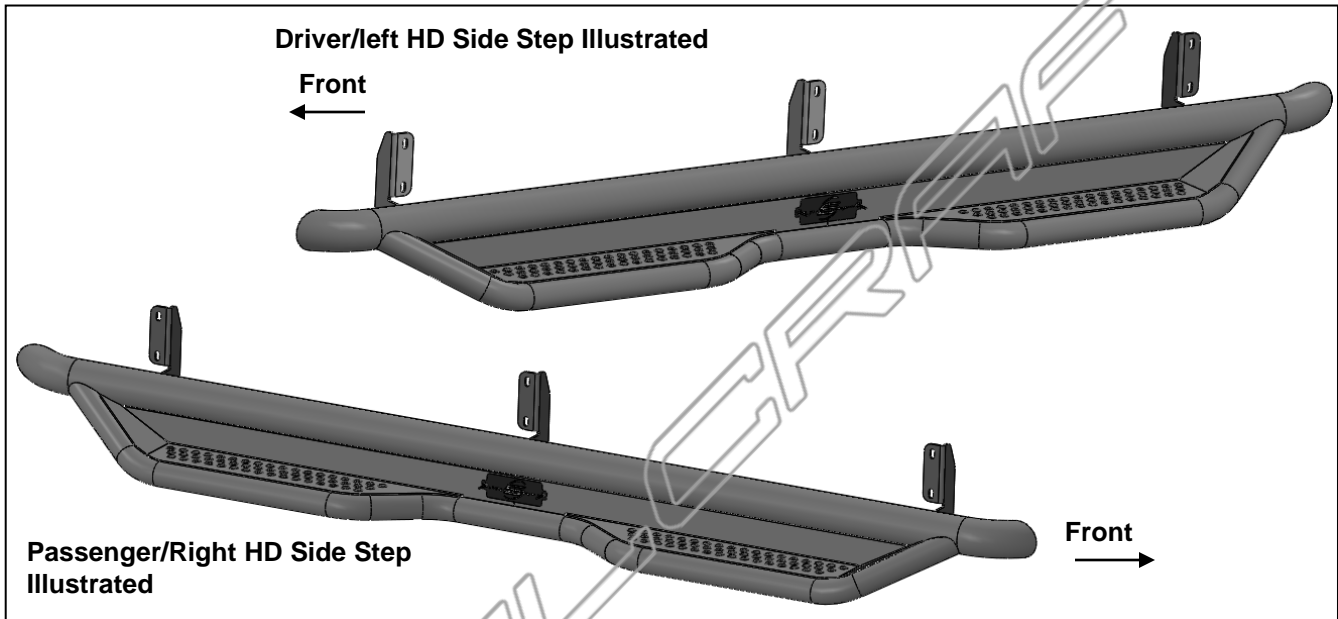


INSTALLATION INSTRUCTIONS
HD SIDE STEP
99-16 FORD F-250/450 SUPERDUTY SUPER CREW CAB

STEELCRAFT

PARTS LIST:

1	Driver/Left HD Side Step	6	8mm Lock Washers
1	Passenger/Right HD Side Step	6	8-1.25mm Nylon Lock Nuts
6	8-1.25mm Clip Nuts		
12	8-1.25mm x 25mm Hex Bolts		
18	8mm x 24mm OD x 2mm Flat Washers		



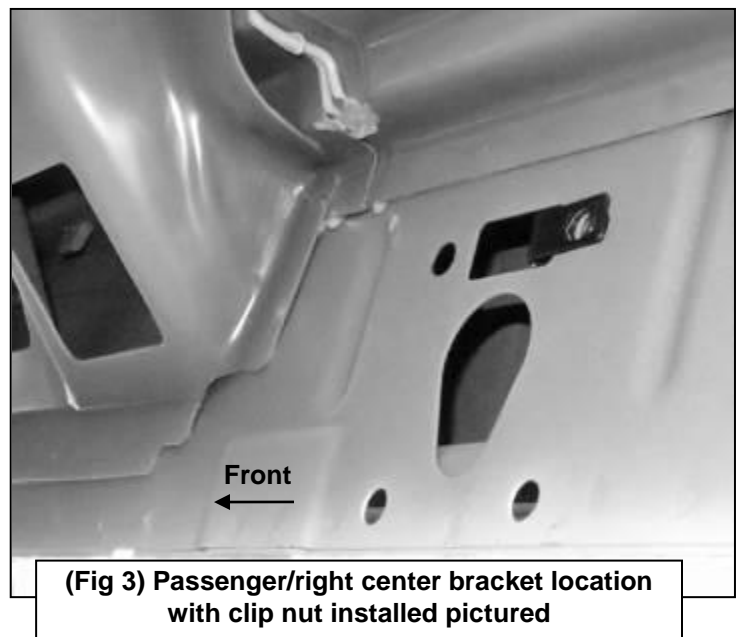
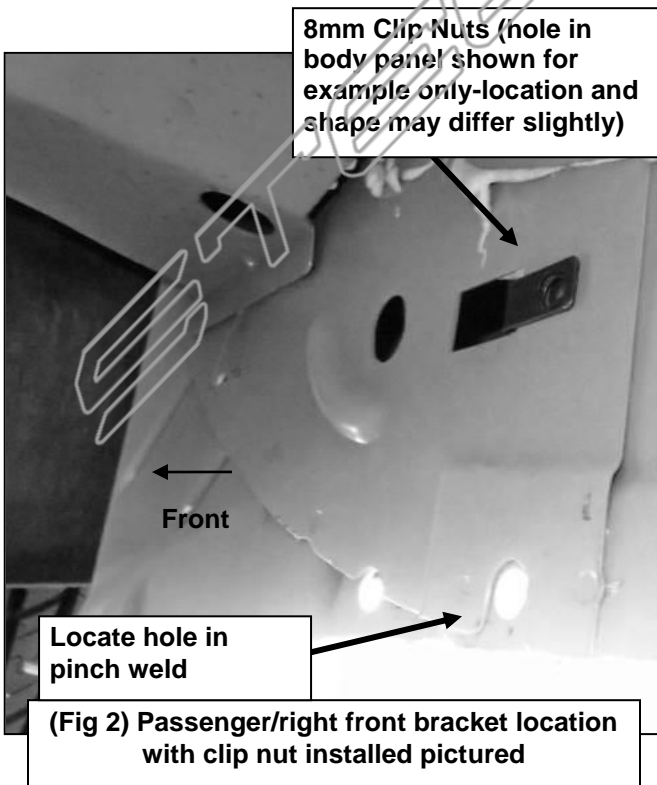
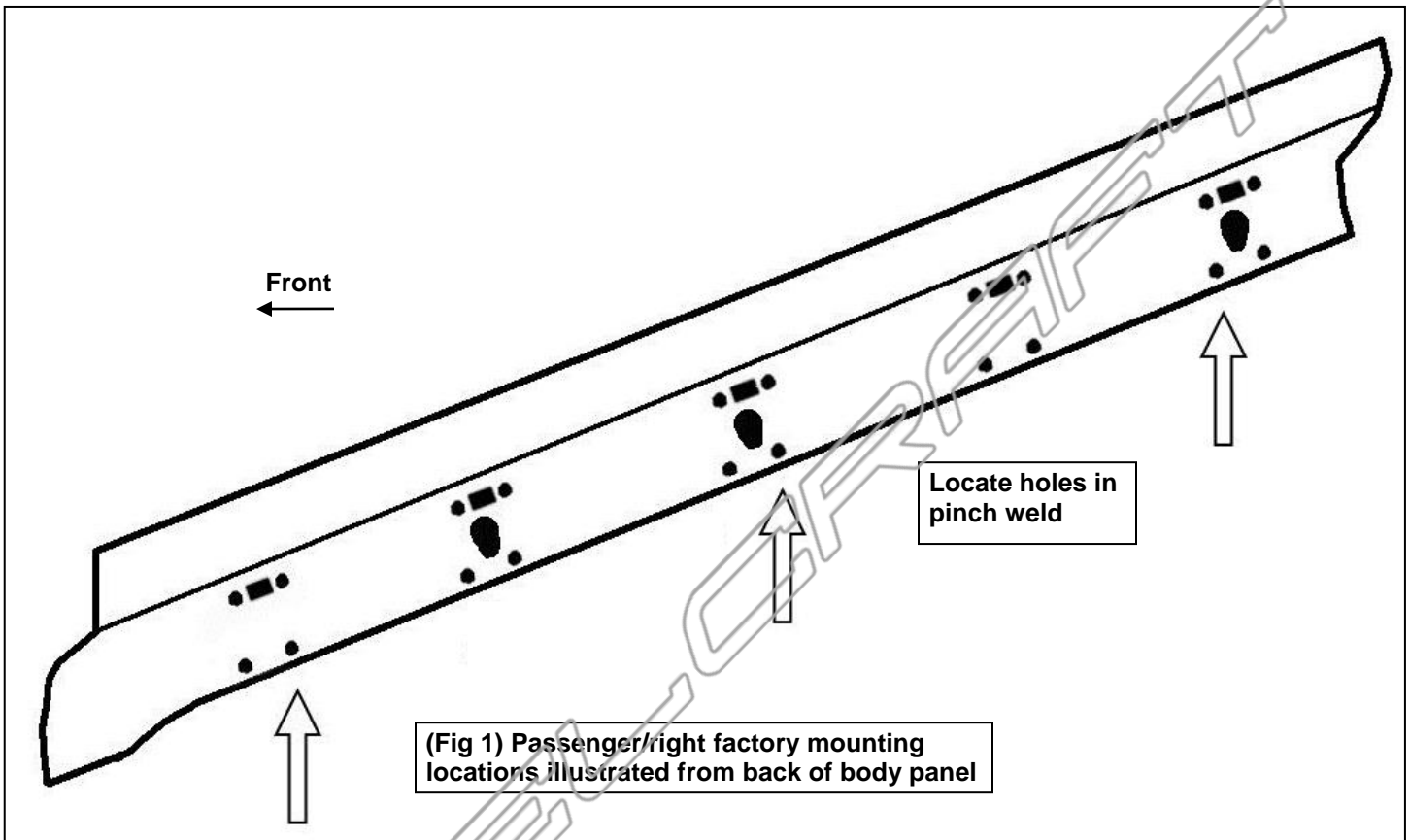
PROCEDURE:

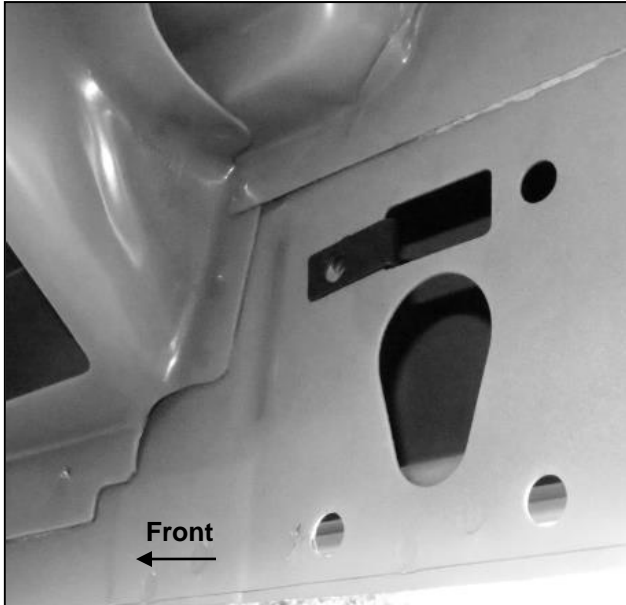
REMOVE CONTENTS FROM BOX. VERIFY ALL PARTS ARE PRESENT. READ INSTRUCTIONS CAREFULLY. ASSISTANCE IS HIGHLY RECOMMENDED.

1. Starting on the passenger side of the vehicle, locate the (2) holes in the bottom of the body panel, (pinch weld). Next locate the rectangular opening and (2) small holes in the inner body panel directly above the holes in the pinch weld, **(Figure 1)**.
2. Slide (1) 8mm Clip Nut into the rectangular opening with the nut towards the inside. Line up the threaded nut on the clip with the round hole, **(Figures 2, 3 & 4)**.
3. Continue along the cab to the center mounting location. Repeat **Steps 1 & 2** to install the (1) 8mm Clip Nut in the center mounting location **(Figure 3)**.
4. Continue along the cab to the rear mounting location. Repeat **Steps 1 & 2** to install the (1) 8mm Clip Nut in the rear mounting location **(Figure 4)**.
5. With assistance, hold the passenger/right HD Side Step up in place against the inner body panel. Attach the HD Side Step to the (3) Clip Nuts with the included (3) 8mm x 25mm Hex Bolts, (3) 8mm Lock Washers and (6) 8mm Flat Washers, **(Figure 5)**. Leave hardware loose.
6. Align the bottom holes in the HD Side Step with the (3) holes in the pinch weld. Bolt the HD Side Step to the pinch weld using the included (3) 8mm x 25mm Hex Bolts, (6) 8mm Flat Washers, (3) 8mm Lock Washers and (3) 8mm Hex Nuts, **(Figure 5)**.
7. Level and adjust the HD Side Step and tighten all hardware.
8. Repeat **Steps 1—7** for driver HD Side Step installation. **NOTE:** Depending on model and year, the brake cable may be run on the inside or outside of the front bracket.
9. Do periodic inspections to the installation to make sure that all hardware is secure and tight.

To protect your investment, wax this product after installing. Regular waxing is recommended to add a protective layer over the finish. Do not use any type of polish or wax that may contain abrasives that could damage the finish. Use only mild soap to clean the HD Side Step.

Passenger Side Installation Pictured





(Fig 4) Passenger/right rear bracket location with clip nut installed pictured

