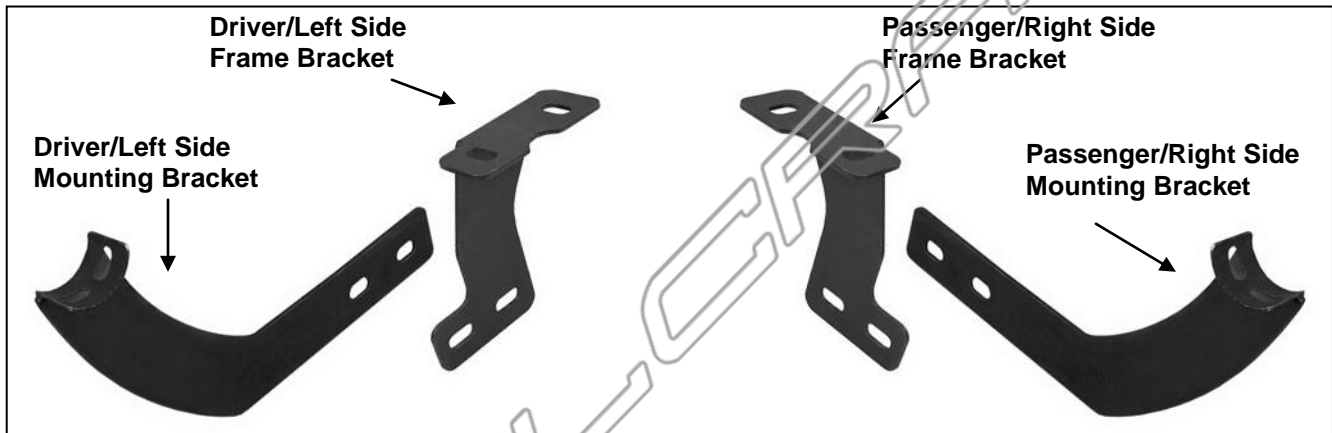


**SINGLE TUBE REAR BUMPER GUARD
2014 KIA SORENTO**

EXCLUDES VEHICLES WITH FACTORY OR AFTERMARKET TOW HITCH

PARTS LIST:

| | | | |
|---|---|---|---|
| 1 | Rear Bumper Guard | 4 | 12mm Nylon Lock Nuts |
| 1 | Driver/Left Frame Bracket | 4 | 10-1.25mm x 35mm SPECIAL Fine Thread Hex Bolts |
| 1 | Passenger/Right Frame Bracket | 4 | 10mm Lock Washers |
| 1 | Driver/Left Rear Bumper Guard Bracket | 4 | 10mm x 30mm OD x 2.5mm Flat Washers |
| 1 | Passenger/Right Rear Bumper Guard Bracket | 4 | 8-1.25mm x 30mm Hex Bolts |
| 4 | 12-1.75mm x 30mm Hex Bolts | 4 | 8mm Lock Washers |
| 8 | 12mm x 24mm OD x 2.5mm Flat Washers | 4 | 8mm x 24mm OD x 2mm Flat Washers |



PROCEDURE:

- REMOVE CONTENTS FROM BOX. VERIFY ALL PARTS ARE PRESENT. READ INSTRUCTIONS CAREFULLY BEFORE STARTING INSTALLATION. WILL NOT FIT ON VEHICLES EQUIPPED WITH FACTORY OR AFTERMARKET TOW HITCH.**

IMPORTANT: ALLOW EXHAUST TO COMPLETELY COOL BEFORE STARTING INSTALLATION.

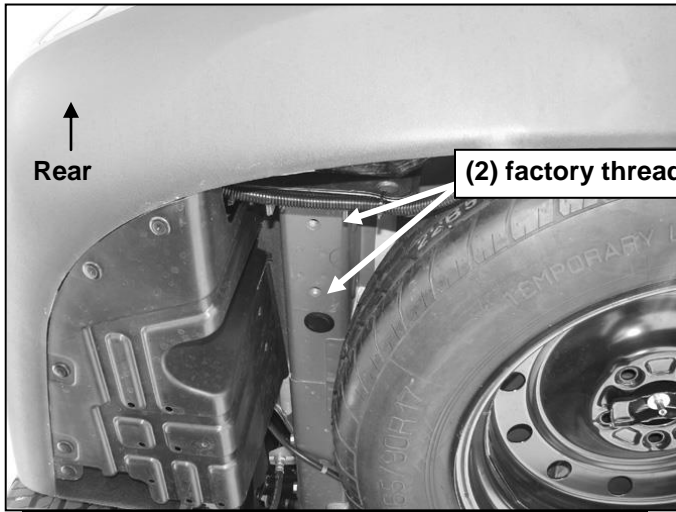
- Start the installation from under the driver side of the vehicle. Locate the two factory threaded holes in the bottom of the frame channel, **(Figure 1)**.
- Select the driver side Frame Bracket. Attach the Frame Bracket to the bottom of the frame channel with the included (2) 10-1.25mm x 35mm Special Fine Thread Hex Bolts, (2) 10mm Lock Washers and (2) 10mm Flat Washers, **(Figure 2)**. Leave hardware loose at this time.
- Attach the driver side Rear Mounting Bracket to the outside of the Frame Bracket with (2) 12mm x 30mm Hex Bolts, (4) 12mm Flat Washers and (2) 12mm Nylon Lock Nuts, **(Figure 3)**. Snug but do not tighten hardware at this time.
- Repeat **Steps 2 – 4** to install the passenger side Mounting Brackets.
- Carefully position the Rear Bumper Guard onto the previously installed Mounting Brackets. Attach the Bumper Guard to the Brackets with the included (4) 8mm x 25mm Hex Bolts, (4) 8mm Lock Washers and (4) 8mm Flat Washers, **(Figure 3)**. Snug but do not tighten hardware at this time.
- Level and adjust the Rear Bumper Guard and tighten all hardware.
- Do periodic inspections of the installation to make sure that all hardware is secure and tight.

To protect your investment, wax this product after installing. Regular waxing is recommended to add a protective layer over the finish. Do not use any type of polish or wax that may contain abrasives that could damage the finish.

For stainless steel: Aluminum polish may be used to polish small scratches and scuffs on the finish. Mild soap may be used also to clean the Rear Bumper Guard.

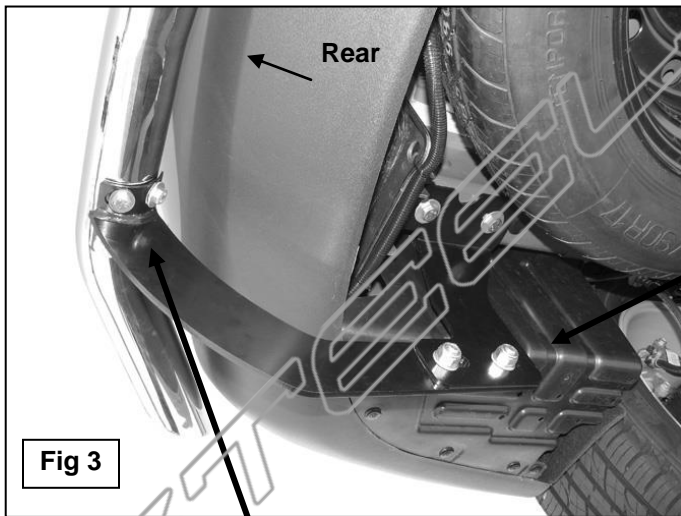
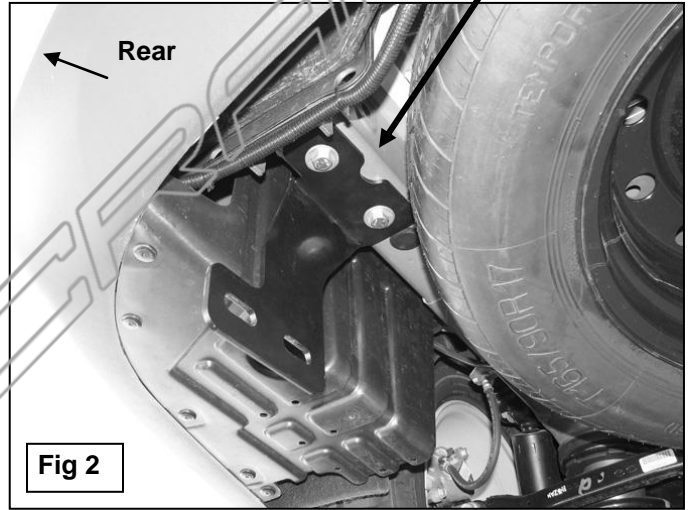
For gloss black finishes: Mild soap may be used to clean the Rear Bumper Guard.

SINGLE TUBE REAR BUMPER GUARD
2014 KIA SORENTO
EXCLUDES VEHICLES WITH FACTORY OR AFTERMARKET TOW HITCH
Driver Side Installation Pictured



(Fig 1) Driver side mounting location pictured

- (2) 10-1.25mm x 35 Special Fine Thread Hex Bolts
- (2) 10mm Lock Washers
- (2) 10mm Flat Washers



- (2) 12mm x 30 Hex Bolts
- (4) 12mm Flat Washers
- (2) 12mm Nylon Lock Nuts

- (2) 8mm x 25 Hex Bolts
- (2) 8mm Lock Washers
- (2) 8mm Flat Washers

