

INSTALLATION INSTRUCTIONS

3" BULL BAR WITH BUILT IN LED LIGHT

05-15 NISSAN FRONTIER

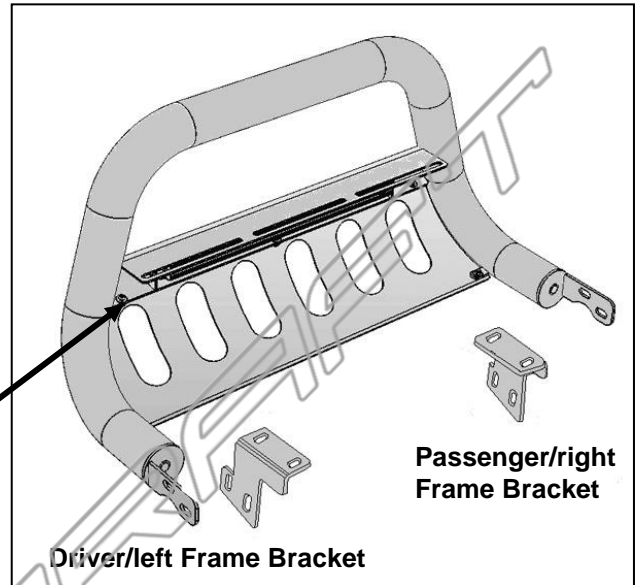
05-07 NISSAN PATHFINDER

05-15 NISSAN XTERRA

STEELCRAFT

PARTS LIST:

1	Bull Bar
1	Driver/Left Frame Mounting Bracket
1	Passenger/Right Frame Mounting Bracket
4	12-1.25mm x 35mm Fine Thread Hex Bolts (use for mounting brackets to frame only)
4	12-1.75mm x 35mm Coarse Thread Hex Bolts
8	12mm Lock Washers
4	12mm Hex Nuts
12	12mm ID x 37mm OD x 3mm Flat Washers
1	Universal Wiring Harness



PROCEDURE:

- REMOVE CONTENTS FROM BOX. VERIFY ALL PARTS ARE PRESENT. READ INSTRUCTIONS CAREFULLY BEFORE STARTING INSTALLATION. CUTTING IS REQUIRED. TOW HOOKS MUST BE REMOVED. DRILLING IS REQUIRED. KNOWLEDGE OF AUTOMOTIVE ELECTRICAL SYSTEM IS HIGHLY RECOMMENDED.**
- Start installation from under the front of the vehicle. Remove the factory tow hook, (if equipped), located on the driver side, **(Figure 1)**. **NOTE:** The tow hooks will not be reinstalled. It may be necessary to remove the lower plastic splash guard or air dam, **(Figure 2)**. Move air dam to stable working area.
- Select the driver/left side Mounting Bracket. Bolt the Bracket to the tow hook location on the bottom of the frame channel with the included (2) 12-1.25 x 35mm **Fine Thread** Hex Bolts, (2) 12mm Lock Washers and (2) 12mm Flat Washers, **(Figures 1—3)**. Do not tighten hardware at this time.
- Repeat **Steps 2—3** for the passenger side Bracket installation.
- With assistance, position the Bull Bar onto the outside of the Mounting Brackets. Bolt the Bull Bar to the Mounting Brackets using the included (4) 12-1.75mm x 35mm **Coarse Thread** Hex Bolts, (8) 12mm Flat Washers, (4) 12mm Lock Washers and (4) 12mm Hex Nuts, **(Figures 3 & 4)**.
- Align the Bull Bar properly and tighten all hardware bolting the (2) Brackets to the frame only. Do not tighten the Bull Bar hardware at this time.
- Remove the Bull Bar. Place the air dam in position over the Brackets. Carefully cut slots in the plastic splash guard or air dam to allow the Brackets to pass through, **(Figure 4)**. Remove as little plastic as possible for a clean installation. Once properly trimmed, re-install the air dam using the factory hardware. Re-install the Bull Bar as described in **Steps 5—6**. Tighten Bracket to vehicle hardware only.
- LED Light is preinstalled in Bull Bar. Verify that light is properly installed. Use slots in top plate on Bull Bar to attach additional lights as desired, **(see above)**.
- Open hood and disconnect the battery.
- Unwrap preassembled wiring harness, **(Figure 5)**. Disconnect the plug in the harness leading to the lighted switch. Locate suitable mounting location for switch. Drill 3/4" hole in panel to mount switch. **IMPORTANT:** Do not drill any holes in panel until back of mounting location is properly checked for clearance. Use of safety goggles is required.
- Run switch harness through firewall on vehicle. Drill hole through firewall as required for harness plug. Highly recommend use of rubber grommet (not included) to protect harness. Feed switch harness plug through hole in firewall. Seal firewall with silicone as necessary.
- Attach Relay and main harness to suitable location near battery (firewall or inner fender for example). Do not connect to battery at this time.
- Attach switch plug to switch harness and tie harness away from anything that could damage harness.

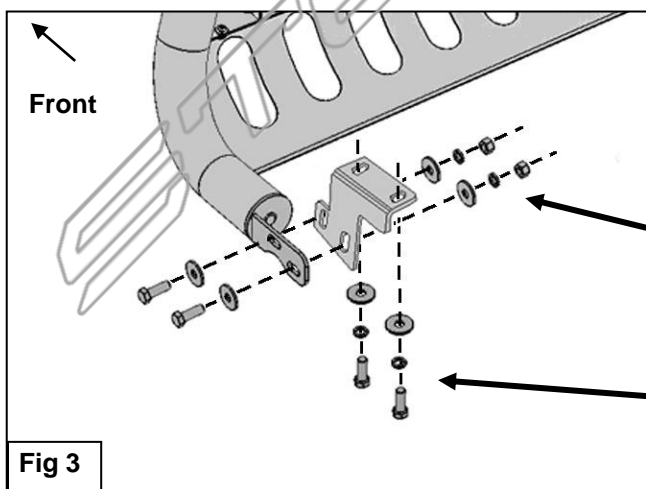
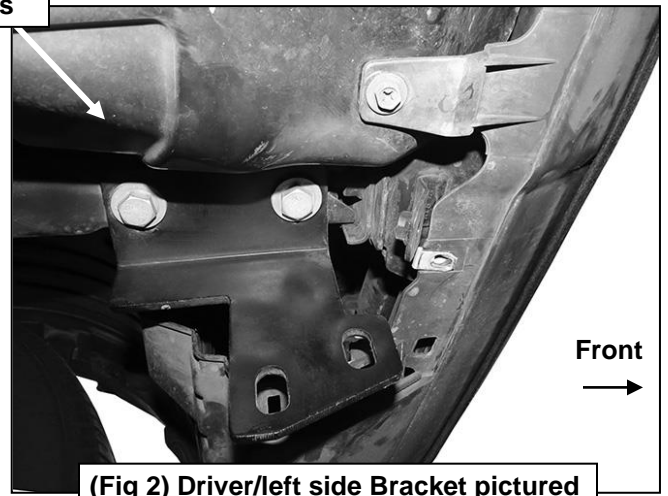
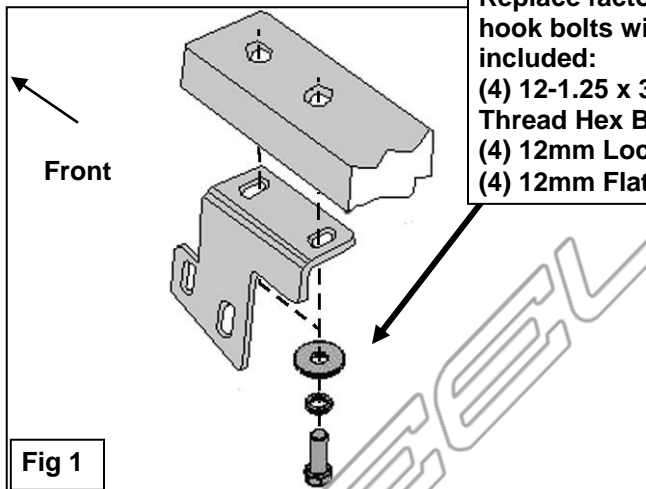
14. Run the prewired light harness down to the light. Plug harness into prewired plug on light. Tie wiring harness away from anything that could damage harness.
15. Attach the fused red positive and black negative wires on the main harness to the battery. **NOTE:** Attach black negative wire to negative terminal on battery or suitable chassis ground.
16. Reattach battery cables to battery. Adjust Light for optimum visibility as necessary. Fully tighten all hardware including light mounting hardware. Installation is complete.
17. Do periodic inspections to the installation to make sure that all hardware is secure and tight and all wiring harnesses are properly secured and free from excessive movement.

To protect your investment, wax this product after installing. Regular waxing is recommended to add a protective layer over the finish. Do not use any type of polish or wax that may contain abrasives that could damage the finish.

For stainless steel: Aluminum polish may be used to polish small scratches and scuffs on the finish. Mild soap may be used also to clean the Bull Bar.

For gloss black finishes: Mild soap may be used to clean the Bull Bar.

Driver/left Side Installation Pictured



Driver/left Side Installation Pictured

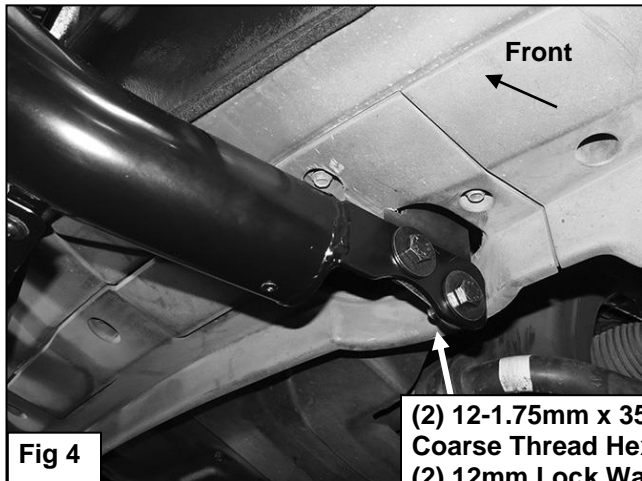


Fig 4

- (2) 12-1.75mm x 35mm Coarse Thread Hex Bolts
- (2) 12mm Lock Washers
- (4) 12mm Flat Washers
- (2) 12mm Hex Nuts



Lighting laws vary state to state. Check applicable local laws before using any accessory lighting. **IMPORTANT:** Adjust lights away from oncoming vehicles. Do not operate lights in the proximity of oncoming traffic.

