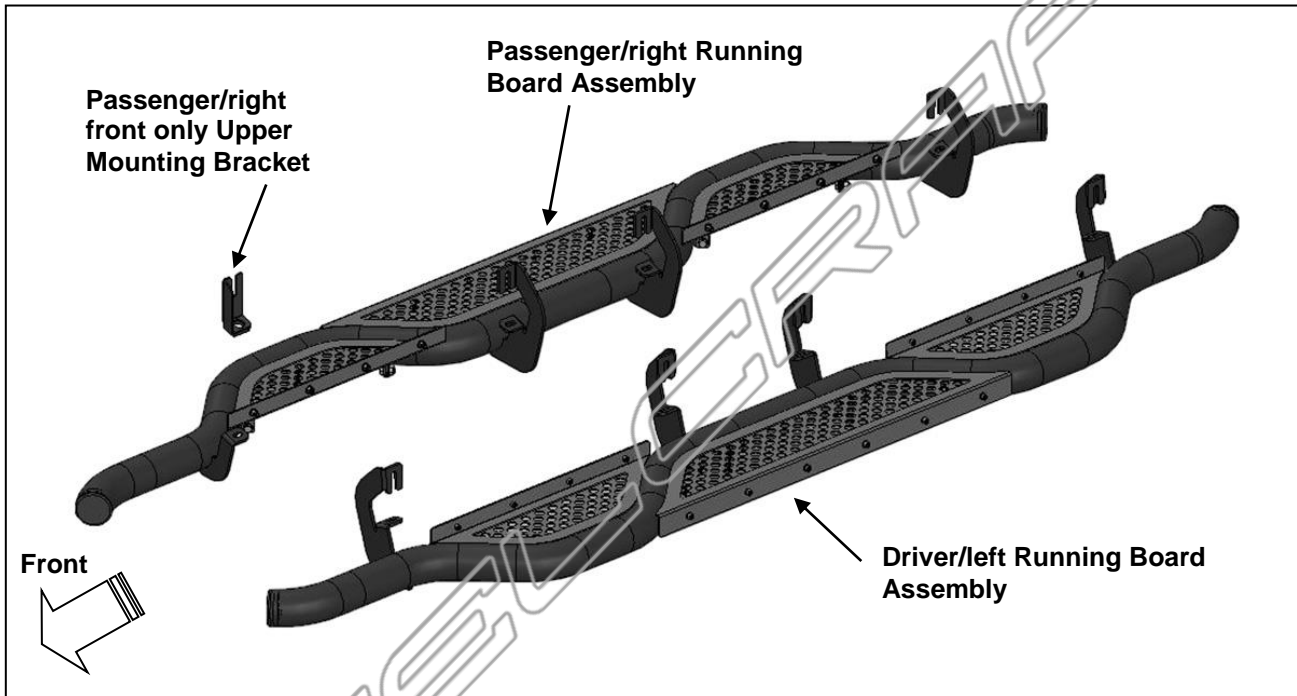


EVO3 RUNNING BOARD
07-15 1500-2500-3500 SILVERADO/SIERRA CREW CAB
INCLUDES DIESEL W/DEF

PARTS LIST:

Qty	Description	Qty	Description
1	Driver/left EVO3 Running Board Assembly	15	8-1.25mm x 25mm Hex Bolts
1	Passenger/right EVO3 Running Board Assembly	1	8mm x 28mm x 3mm Large Flat Washer
1	Passenger Front Upper Bracket	16	8mm x 24mm x 2mm STD Flat Washers
11	8-1.25mm Clip-On Nuts	16	8mm Lock Washers
1	8-1.25mm x 40mm Hex Bolt	1	8-1.25mm Nylon Lock Nut



PROCEDURE:

REMOVE CONTENTS FROM BOX. VERIFY ALL PARTS ARE PRESENT. READ INSTRUCTIONS CAREFULLY BEFORE STARTING INSTALLATION. ASSISTANCE IS RECOMMENDED. ON MODELS WITH DEF TANK, SELECT A FLAT, LEVEL AREA FOR INSTALLATION.

1. Start the installation under the driver side of the vehicle. Locate the 5 tabs along the bottom edge of the body, (pinch weld). Mounting Brackets will bolt to the 1st, 2nd, 3rd and 5th mounting tabs only, **(Figure 1)**. Directly above each tab is a top mounting location on the side of the body panel. If necessary, hold the Running Board up in place to help determine the mounting holes to use along the body.
2. Determine the correct procedure for your model year and each Bracket location.

Bottom mounting location on the edge of the pinch weld.

Flat tab on pinch weld with factory installed weld nut:

Thread hex bolt into weld nut from the backside-down to clear paint from threads, **(Figure 2)**.

Flat tab on pinch weld with hole:

Select (1) 8mm Clip Nut. Slide the Clip Nut over the tab with the nut facing up behind the tab, **(Figures 3—5)**. Line up threaded nut with hole in tab. Repeat for each mounting location.

Top mounting location on the side of the body panel.

Models with factory installed threaded insert in body panel:

Thread 8mm Hex Bolt into threaded insert to clear paint as required, **(Figures 2 & 3)**.

Large and small hole in side of body panel:

Remove the rubber plug from the larger hole, **(Figure 4)**. Select (1) 8mm Clip Nut. Slide the Clip Nut into the larger hole. Line up the threaded nut with the smaller hole, **(Figure 5)**.

EVO3 RUNNING BOARD
07-15 1500-2500-3500 SILVERADO/SIERRA CREW CAB
INCLUDES DIESEL W/DEF

3. Select the driver/left Running Board. Carefully position the Running Board up to the side of the vehicle over the mounting locations. Attach the Running Board to the (4) mounting locations with (8) 8mm Hex Bolts, (8) 8mm Lock Washers and (8) 8mm STD Flat Washers, (**Figures 6 & 7**). Do not tighten hardware at this time.
4. Level and adjust the Running Board and tighten all hardware. Torque 8mm fasteners to 18-20ft-lbs.
5. Move to the passenger side of the vehicle. On the passenger side, determine if the vehicle is equipped with a plastic diesel exhaust fluid (DEF) tank, (**Figures 8 & 9**).

Models without DEF tank, skip ahead to Step 6.

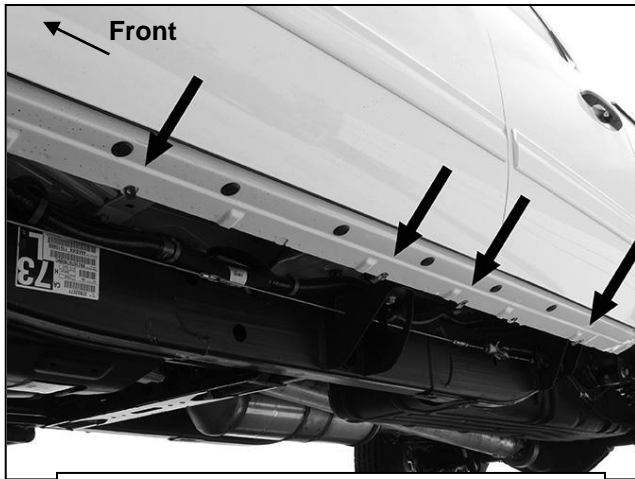
Models with DEF tank: The tank sits close to the side of the body. With specialized tools, the passenger front upper Bracket can be installed but room is limited. It may be easier to drop the tank down to access the inner side of the body panel for the upper bracket installation. Tank will not need to be removed, only dropped down for access to mounting location. **IMPORTANT:** If tank is full, it will be very heavy and assistance is highly recommended to avoid injury or damage to the vehicle or the tank. It is recommended that installation is performed when the DEF tank is low on fluid and on level surface before dropping the tank.

- a. On models with plastic lower tray under the tank, remove the (3) hex bolts attaching the tray to the frame, (**Figure 8**), and remove the tray.
 - b. Release the tank filler hose. Release the plug for the sending unit on the top of the tank.
 - c. Support the tank with a floor jack. Place a smooth flat surface, (wooden block for example), between the floor jack and the tank to avoid damaging the plastic tank. **IMPORTANT:** Do not push up on the tank; only support the weight of the tank with the jack.
 - d. Remove the (2) bolts securing the tank straps to the vehicle, (**Figure 9**). Tilt the straps to release from the brackets. Slowly lower the tank until the top of the tank is almost visible. Use blocks or stands to support the tank while installing the front Upper Bracket.
 - e. Proceed to **Step 8**.
6. Locate the first tab on the edge of the pinch weld, (**Figures 9 & 11**). Select the passenger front Upper Bracket, (**Figure 10**). Repeat **Steps 2** to attach the Bracket to the side of the body panel with (1) 8mm Hex Bolt, (1) 8mm Lock Washer and (1) 8mm STD Flat Washer, (**Figures 2—5, 11 & 14**). Pull the Bracket down tight against the pinch weld and tab. On models with a nut welded onto the tab, (**Figure 11**), slide the Bracket over the nut. Tighten the upper Hex Bolt to 18-20ft-lbs. Reinstall the DEF tank and cover, if equipped, as described in **Step 5**.
 7. Hold the passenger side Running Board up to the side of the vehicle. Repeat **Steps 3 & 4** to first attach the Running Board to the 2nd, 3rd and 5th mounting locations, (**Figure 13**). Leave hardware loose.
 8. Move to the front mounting location with the Front Upper Bracket, (**Step 6**). Insert (1) 8mm x 40mm Hex Bolt with (1) 8mm STD Flat Washer up and through the bracket on the Running Board, the mounting tab and the Upper DEF Bracket. Slide a (1) 8mm Large Flat Washer and (1) 8mm Nylon Lock Nut over the Hex Bolt, (**Figure 14**). Do not tighten hardware at this time.
 9. Level and adjust the Running Board and tighten all hardware. Torque 8mm fasteners to 18-20ft-lbs.
 10. Do periodic inspections to the installation to make sure that all hardware is secure and tight.

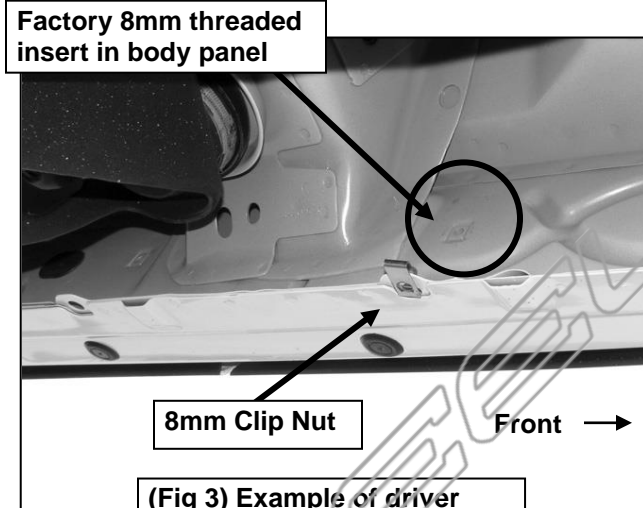
To protect your investment, wax this product after installing. Regular waxing is recommended to add a protective layer over the finish. Do not use any type of polish or wax that may contain abrasives that could damage the finish.

Mild soap may be used to clean the Running Board.

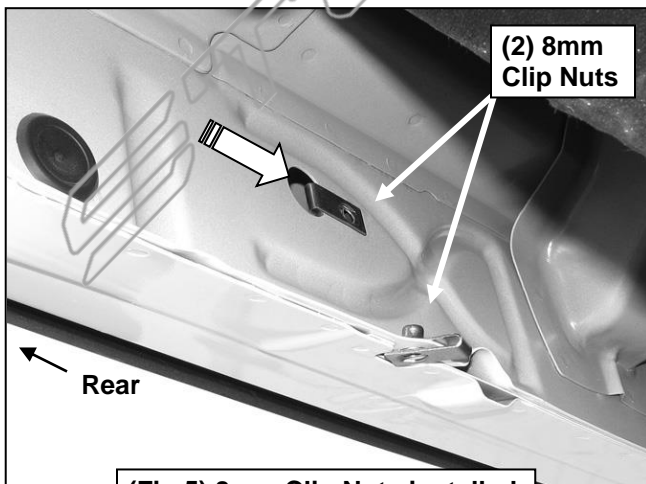
Driver/Left Side Installation Pictured



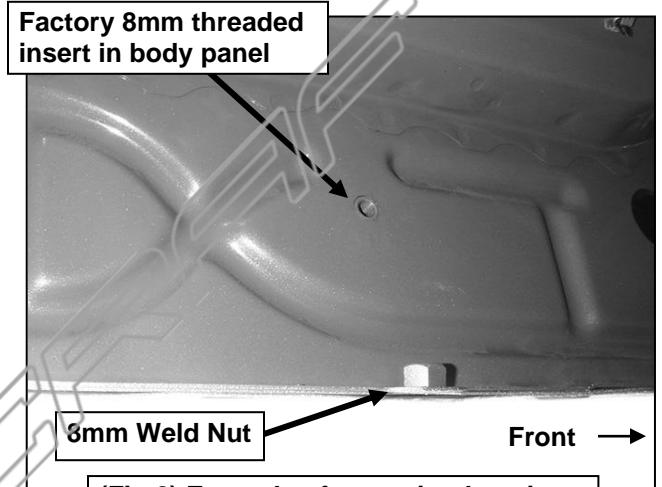
(Fig 1) Driver side (4) mounting locations



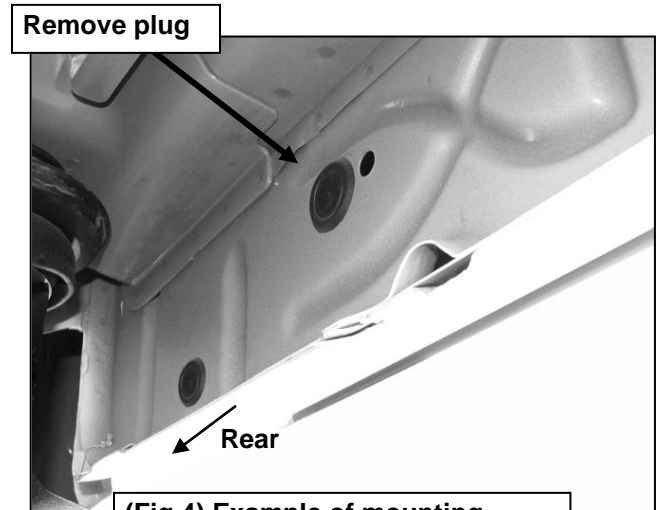
(Fig 3) Example of driver side 2nd mounting location



(Fig 5) 8mm Clip Nuts installed

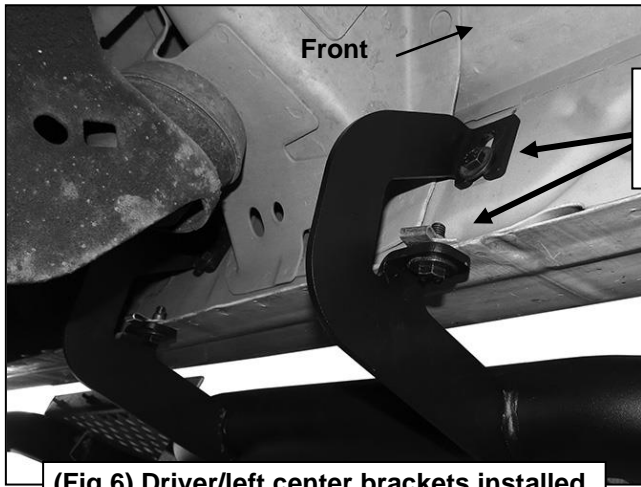


(Fig 2) Example of mounting location with threaded weld nuts in body panel

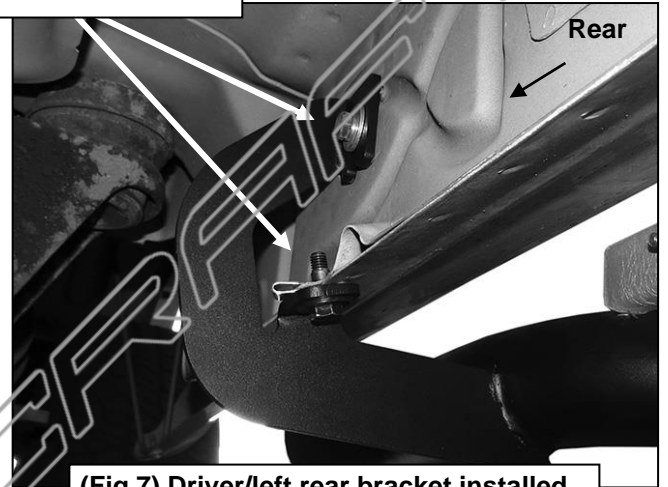


(Fig 4) Example of mounting locations requiring 8mm Clip Nuts

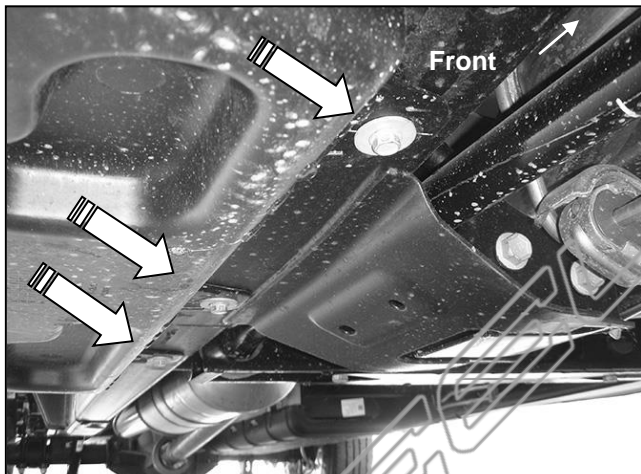
EVO3 RUNNING BOARD
07-15 1500-2500-3500 SILVERADO/SIERRA CREW CAB
INCLUDES DIESEL W/DEF



(Fig 6) Driver/left center brackets installed

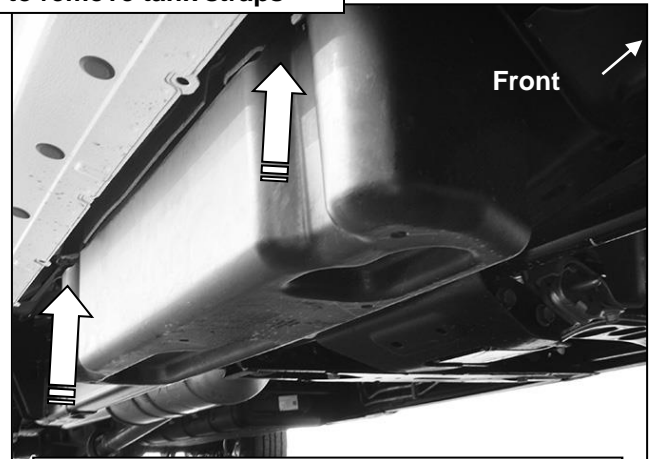


(Fig 7) Driver/left rear bracket installed

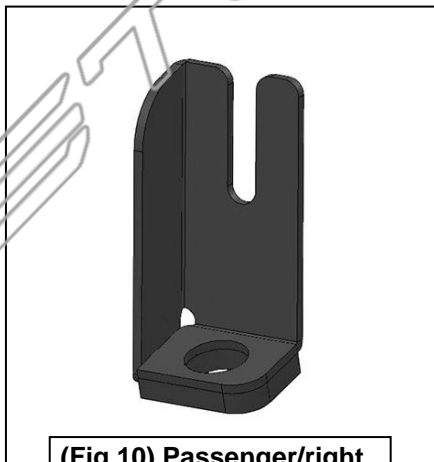


(Fig 8) Passenger side front pictured with DEF tank cover. Remove (3) hex bolts to remove cover

Remove (2) factory bolts to remove tank straps

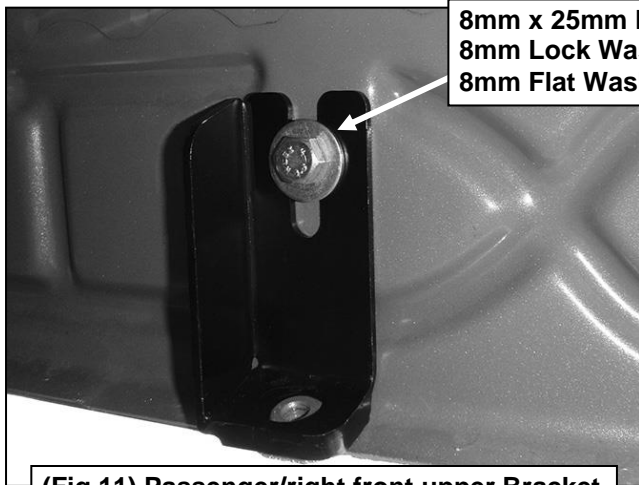


(Fig 9) Passenger side DEF tank and cover

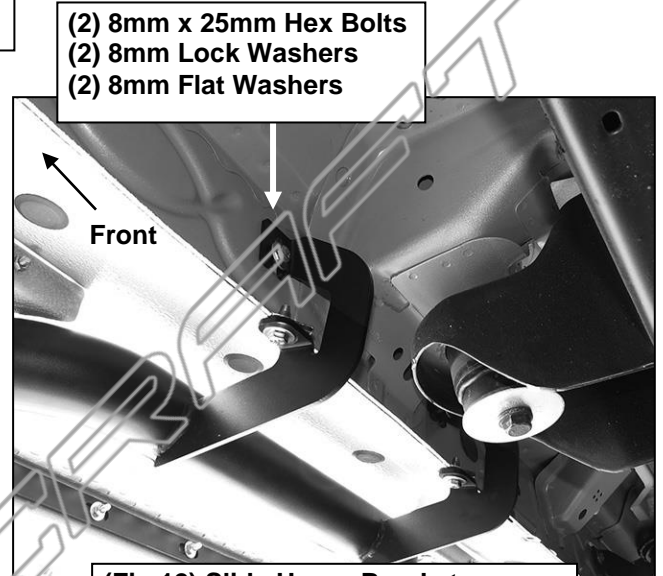


(Fig 10) Passenger/right front upper Bracket

Passenger/right Side Installation Pictured



(Fig 11) Passenger/right front upper Bracket



(Fig 12) Slide Upper Bracket over weld nut (if equipped-see Figure 2)

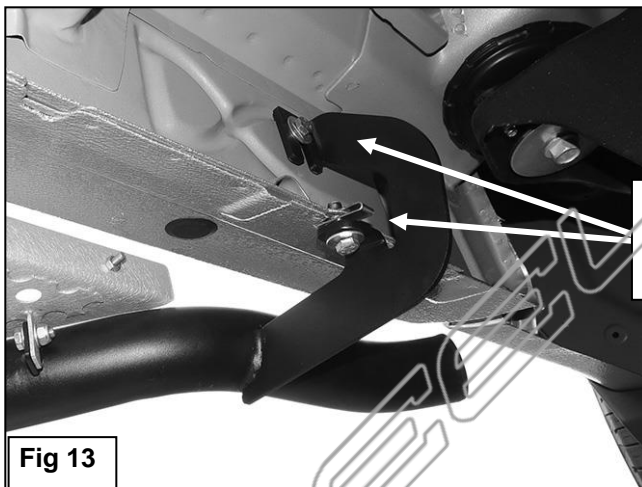


Fig 13

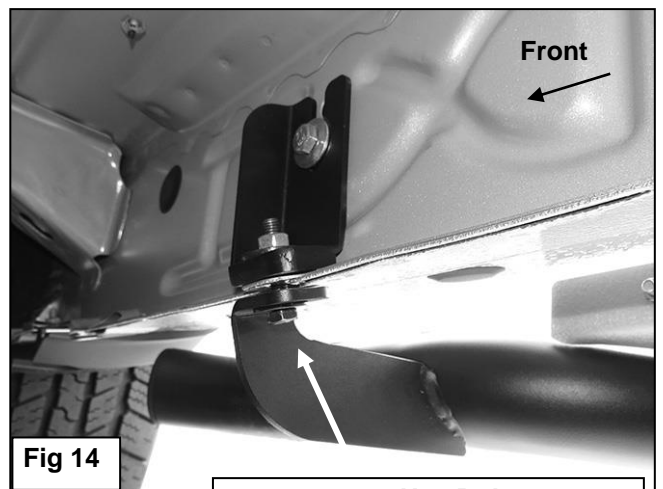


Fig 14

8mm x 40mm Hex Bolt
8mm STD Flat Washer (bottom)
8mm Large Flat Washer (top)
8mm Nylon Lock Nut

