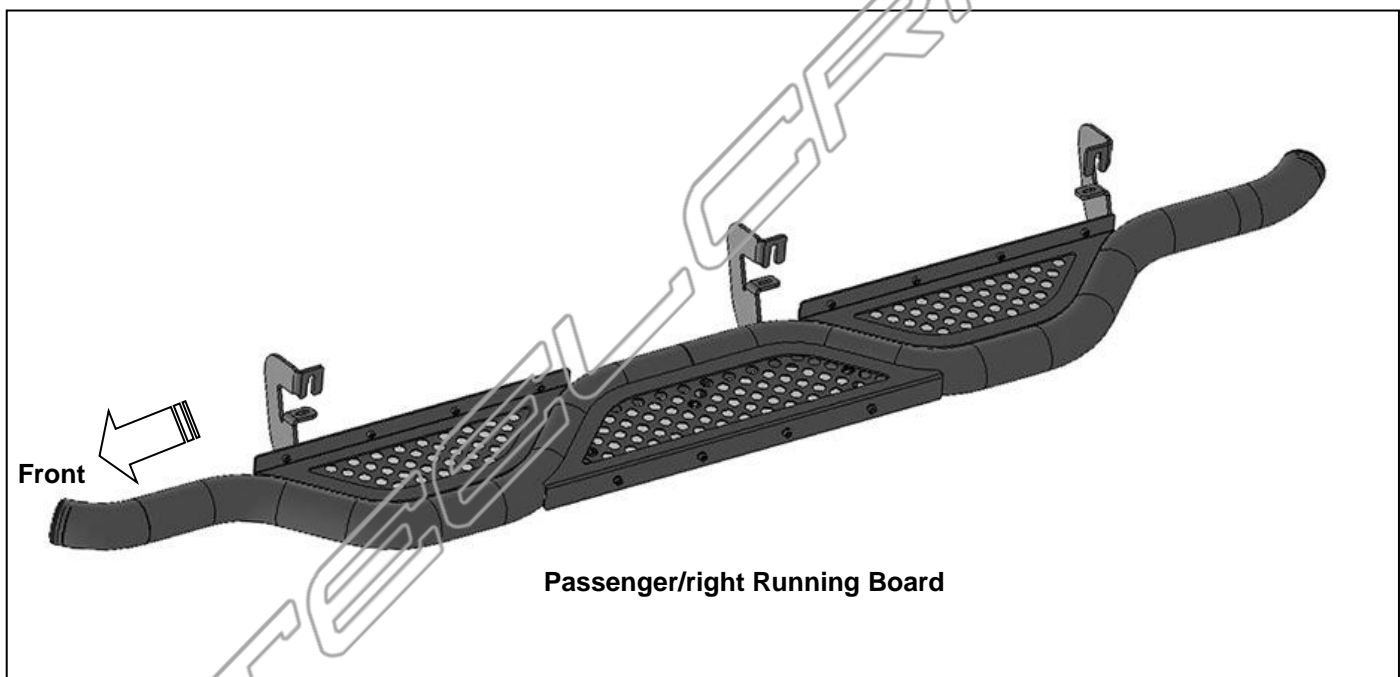
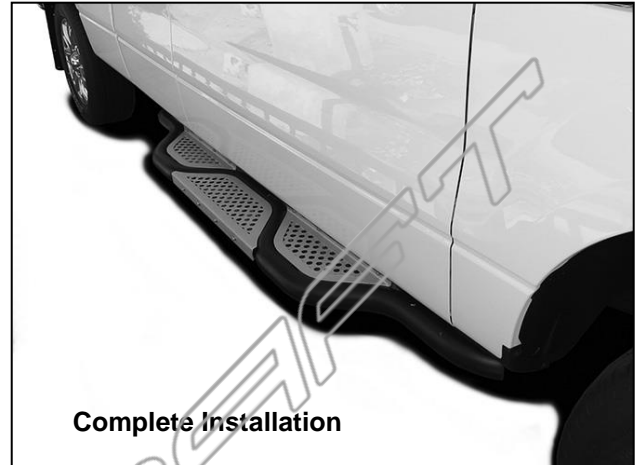


**PARTS LIST:**

Qty	Description
1	Driver/left Running Board
1	Passenger/right Running Board
12	8-1.25mm Clip-On Nuts
12	8-1.25mm x 30mm Hex Bolts
12	8mm x 24mm x 2mm Flat Washers
12	8mm Lock Washers



**PROCEDURE:**

- 1. REMOVE CONTENTS FROM BOX. VERIFY ALL PARTS ARE PRESENT. READ INSTRUCTIONS CAREFULLY BEFORE STARTING INSTALLATION. ASSISTANCE RECOMMENDED.**
- Starting on the passenger side of the vehicle, locate the (2) holes in the bottom of the body panel, (pinch weld). Next, locate the rectangular opening and (2) small holes in the inner body panel directly above the holes in the pinch weld, **(Figure 1)**. **NOTE:** The holes in the inner panel may be covered with sealing tape or insulation, remove as required.
- Slide (1) 8mm Clip Nut into the rectangular opening with the nut towards the inside. Line up the threaded nut on the clip with the round hole toward the front of the vehicle, **(Figure 2)**. Repeat to install an 8mm Clip Nut in the forward hole in the pinch weld directly below the top location. **IMPORTANT:** Use **Figure 1** to determine correct mounting holes to use for each location.
- Repeat **Step 3** to install the 8mm Clip Nuts in the center and rear locations. **IMPORTANT:** Clip Nuts install in the rear set of mounting holes for the center and rear Brackets, **(Figures 1 & 3)**.
- Carefully unwrap the Running Board. Select the passenger side Running Board. **NOTE:** The front will be the shorter end of Running Board.

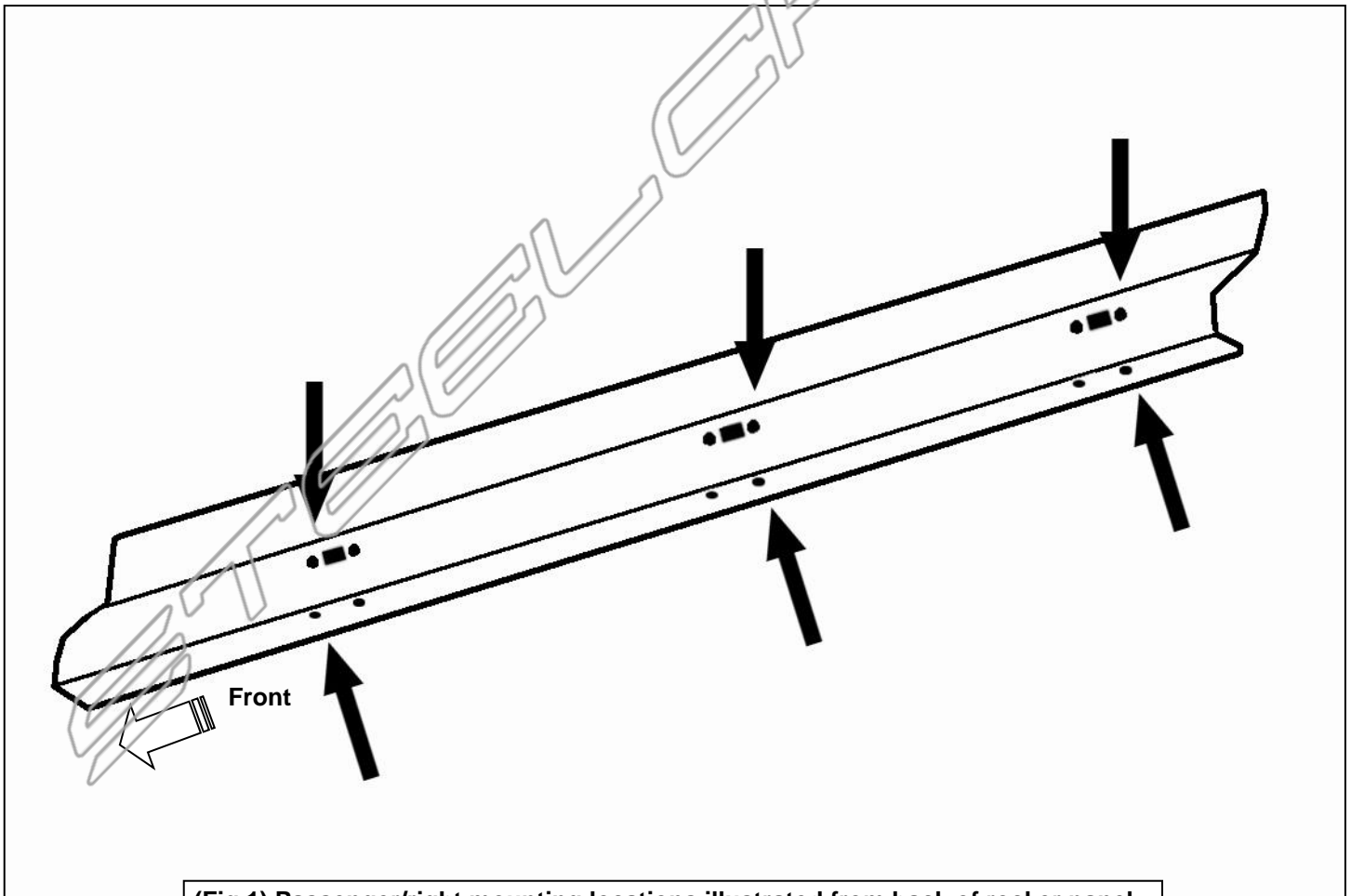
**EVO3 RUNNING BOARD  
04-14 FORD F-150 SUPER CAB**

6. Attach the Mounting Brackets to the (6) Clip Nuts with the included (6 8mm Hex Bolts, (6) 8mm Lock Washers and (6) 8mm Flat Washers, **(Figure 3)**. Depending on model and year, the brake cable, (driver side installation only), may be run on the inside or outside of the Bracket. Do not tighten hardware at this time.
7. Level and adjust the Running Board as desired and tighten all 8mm hardware to 16-18ft-lbs.
8. Repeat **Steps 2—7** for the driver side Running Board installation.
9. Do periodic inspections to the installation to make sure that all hardware is secure and tight.

**To protect your investment**, wax this product after installing. Regular waxing is recommended to add a protective layer over the finish. Do not use any type of polish or wax that may contain abrasives that could damage the finish.

**For powder coated finishes:** Mild soap may be used to clean the Running Board.

**Passenger/right Side Installation Pictured**



**(Fig 1) Passenger/right mounting locations illustrated from back of rocker panel**

Passenger/right Side Installation Pictured

