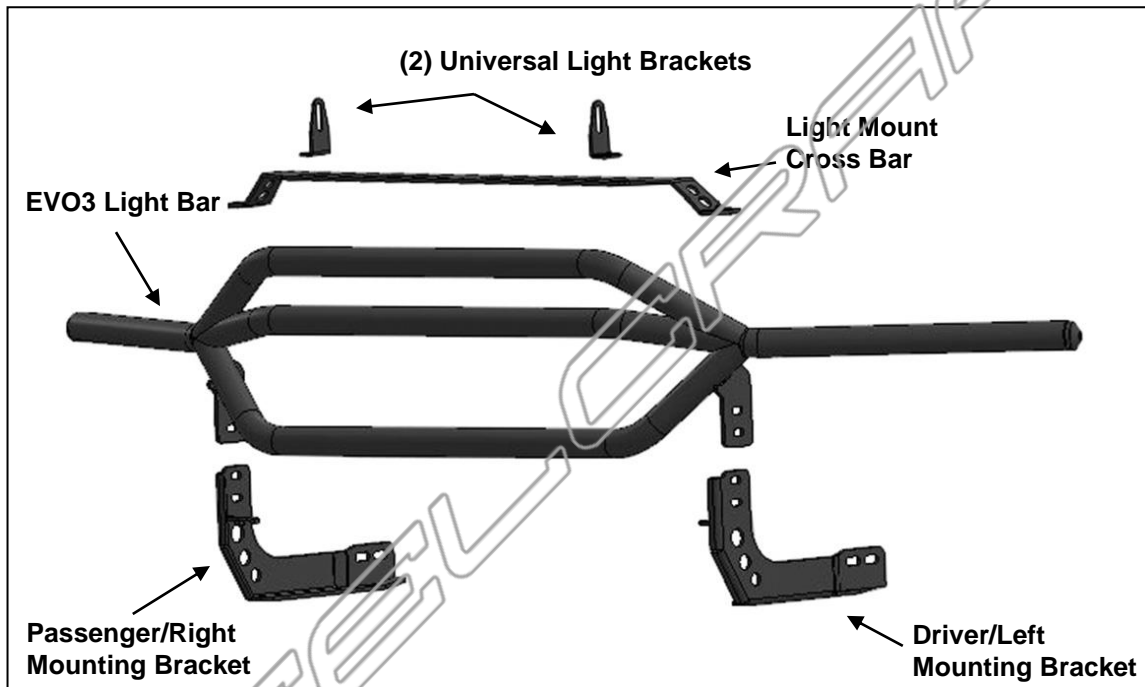


PARTS LIST:

| | | | |
|---|--|----|-------------------------------------|
| 1 | EVO3 Front Light Bar | 1 | 12-1.75mm x 35mm Single Bolt Plate |
| 1 | Cross Bar Light Mounting Bracket | 3 | 12mm x 24mm OD x 2.5mm Flat Washers |
| 2 | Universal Light Tabs | 3 | 12mm Nylon Lock Nuts |
| 1 | Driver/left Frame Mounting Bracket | 10 | 8-1.25mm x 30mm Hex Bolts |
| 1 | Passenger/right Frame Mounting Bracket | 12 | 8mm x 22mm OD x 2mm Flat Washer |
| 1 | 12-1.75mm x 30mm Double Bolt Plate | 8 | 8mm Lock Washers |
| | | 2 | 8-1.25mm Nylon Lock Nut |



PROCEDURE:

REMOVE CONTENTS FROM BOX AND VERIFY ALL PARTS ARE PRESENT. READ INSTRUCTIONS CAREFULLY. CUTTING MAY BE REQUIRED. INSTALLATION MAY INTERFERE WITH FRONT MOUNTED SENSORS. DO NOT USE LIGHT BAR AND/OR BRACKETS FOR TOWING/PULLING.

NOTE: It may be necessary to remove/relocate front license plate and license plate bracket. It is not required, but strongly recommended. If local/state law requires a front license plate, license plate relocation kit is available.

1. Start installation from under the passenger side, front of the vehicle. Determine if the vehicle is equipped with tow hooks.

Vehicles without tow hooks:

It will be necessary to cut out the indented area in both sides of the plastic bumper insert to clear the Brackets as pictured, **(Figures 1 & 2)**. **IMPORTANT:** Make several small cuts for best fit. Do not cut through the top edge of the panel. Once both openings have been cut, continue on to **Step 2**.

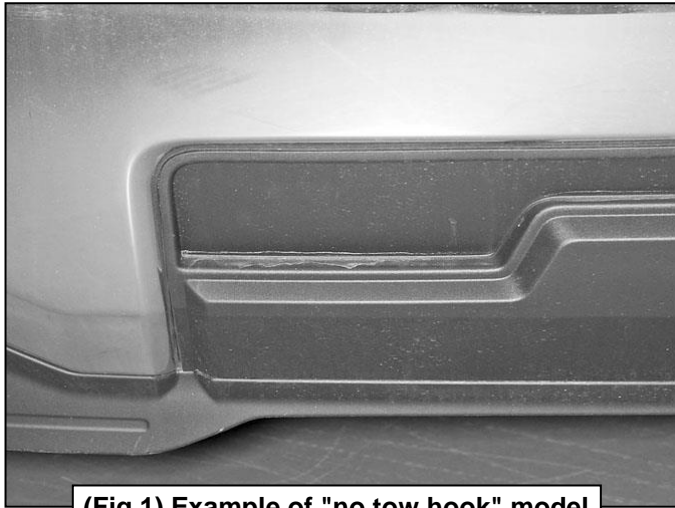
Tow Hook equipped vehicles:

- a. Remove the factory hardware attaching the tow hook to the end of each frame channel, **(Figure 3A & 3B)**. It is not necessary to remove the tow hook, only remove the hardware.

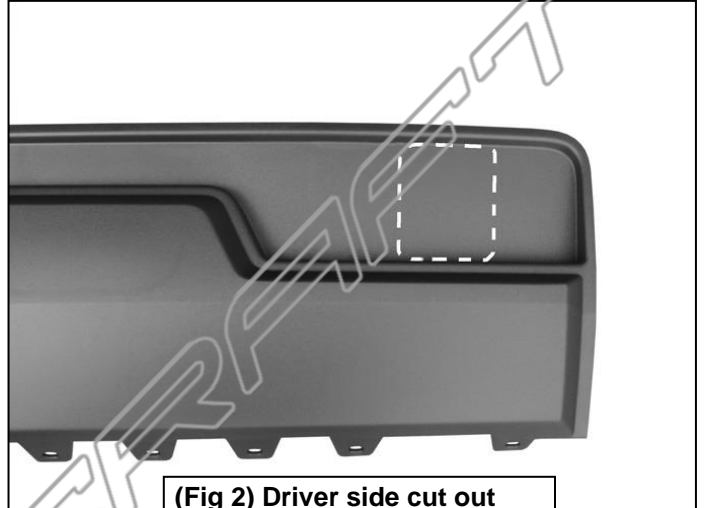
NOTE: On 2014 and newer models, the hardware on the driver side may be difficult to

**EVO3 LIGHT BAR
2007-15 CHEVY SILVERADO 1500**

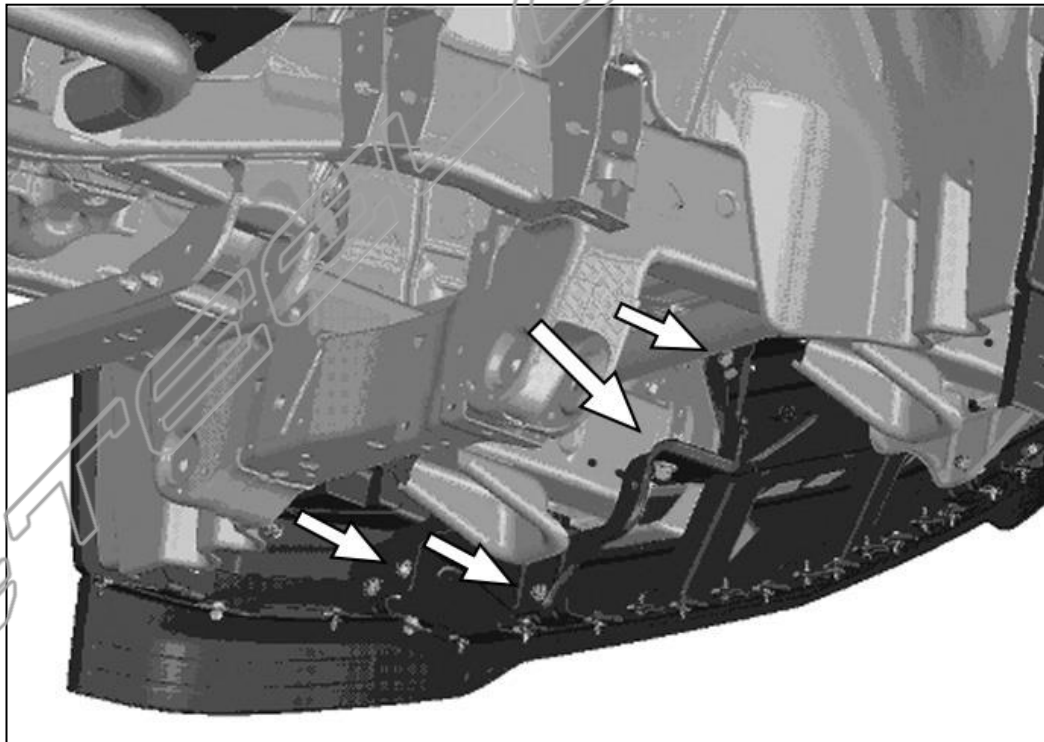
To protect your investment, wax this product after installing. Regular waxing is recommended to add a protective layer over the finish. Do not use any type of polish or wax that may contain abrasives that could damage the finish. Mild soap may be used to clean the EVO3 Light Bar.



(Fig 1) Example of "no tow hook" model

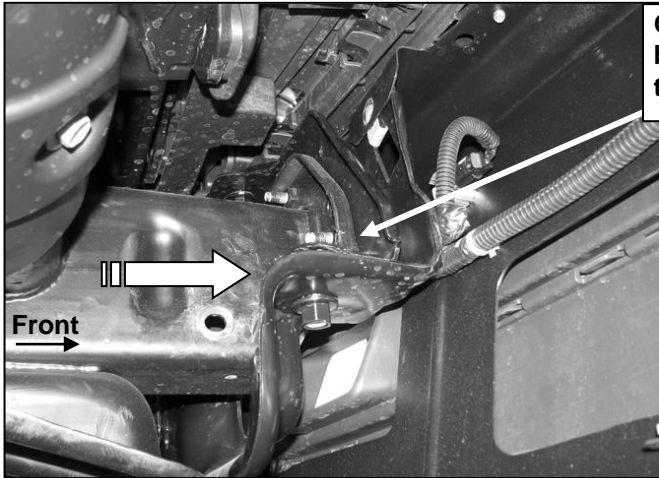


**(Fig 2) Driver side cut out
illustrated for reference only**



(Fig 3A) 2014 Silverado driver side illustrated from behind bumper to show bumper bolt locations.

Remove the bolts securing the driver side of the bumper to the bumper bracket. Use a large screwdriver or pry bar to move the mounting tab (large arrow) up enough to get the long tow hook bolt out of the end of the frame



(Fig 3B) Driver side pictured from behind bumper

On 2014-on models with tow hooks, remove bumper bolt and carefully pry up tab (arrow) to remove long bolt through tow hook

On models with tow hooks, remove trim and seal surrounding tow hook if equipped

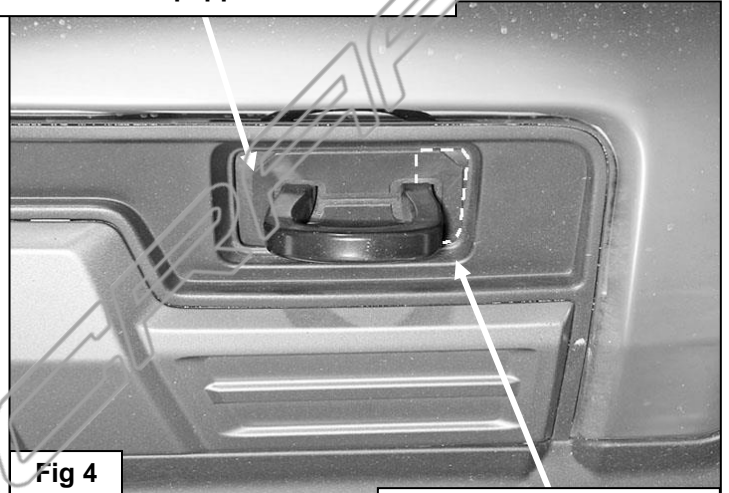
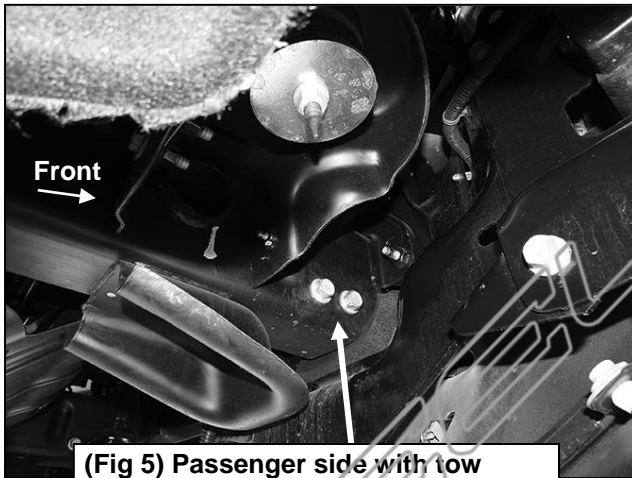


Fig 4

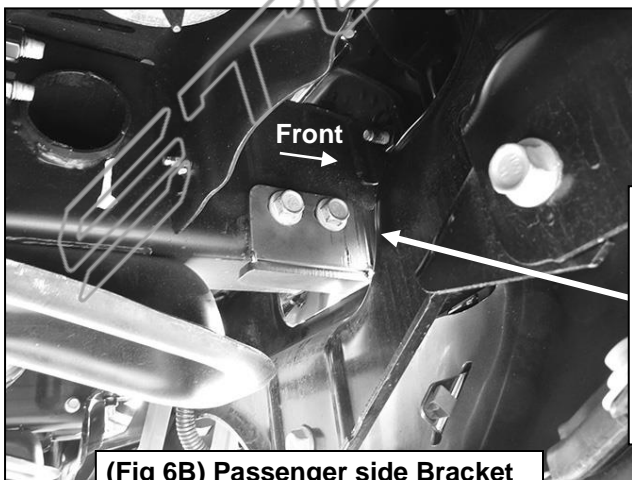
Trim opening for bracket clearance if necessary



(Fig 5) Passenger side with tow hook pictured from behind bumper



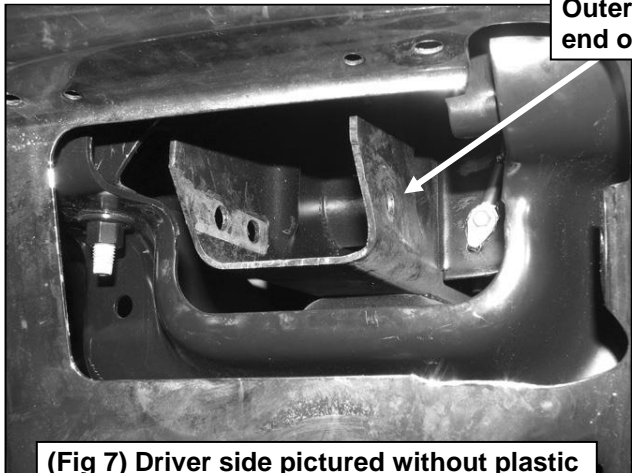
(Fig 6A) 12mm Double Bolt Plate



(Fig 6B) Passenger side Bracket installed with tow hook hardware

On models without tow hooks, insert 12mm Double Bolt Plate into open end of frame on passenger side. Attach Bracket to Bolt Plate with the included:
(2) 12mm Flat Washers
(2) 12mm Nylon Lock Nuts

**EVO3 LIGHT BAR
2007-15 CHEVY SILVERADO 1500**



Outer mounting hole in end of frame for tow hook

(Fig 7) Driver side pictured without plastic panel for instruction purposes only

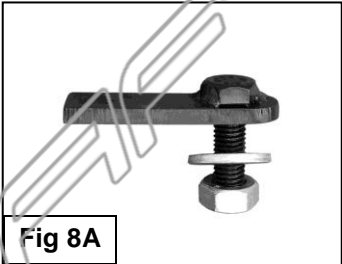
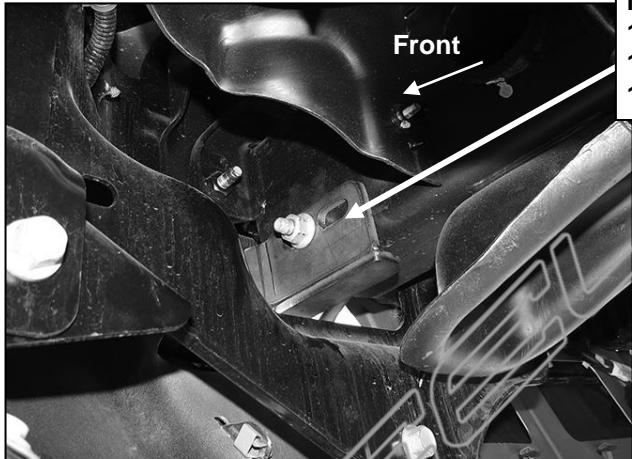


Fig 8A

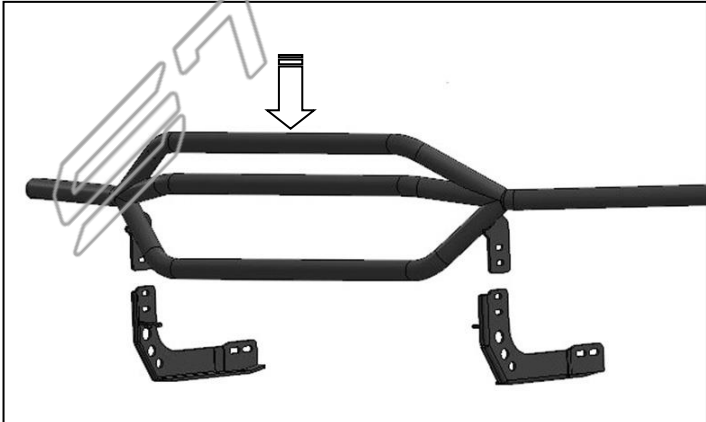


**Models without tow hook use:
12mm Single Bolt Plate
12mm Flat Washer
12mm Nylon Lock Nut**

(Fig 8B) Attach driver side Bracket to outside of frame with Single Bolt Plate or reuse tow hook hardware



(Fig 9) Driver side Mounting Bracket



(Fig 10) Line up Light Bar with outside of Brackets

EVO3 LIGHT BAR
2007-15 CHEVY SILVERADO 1500

