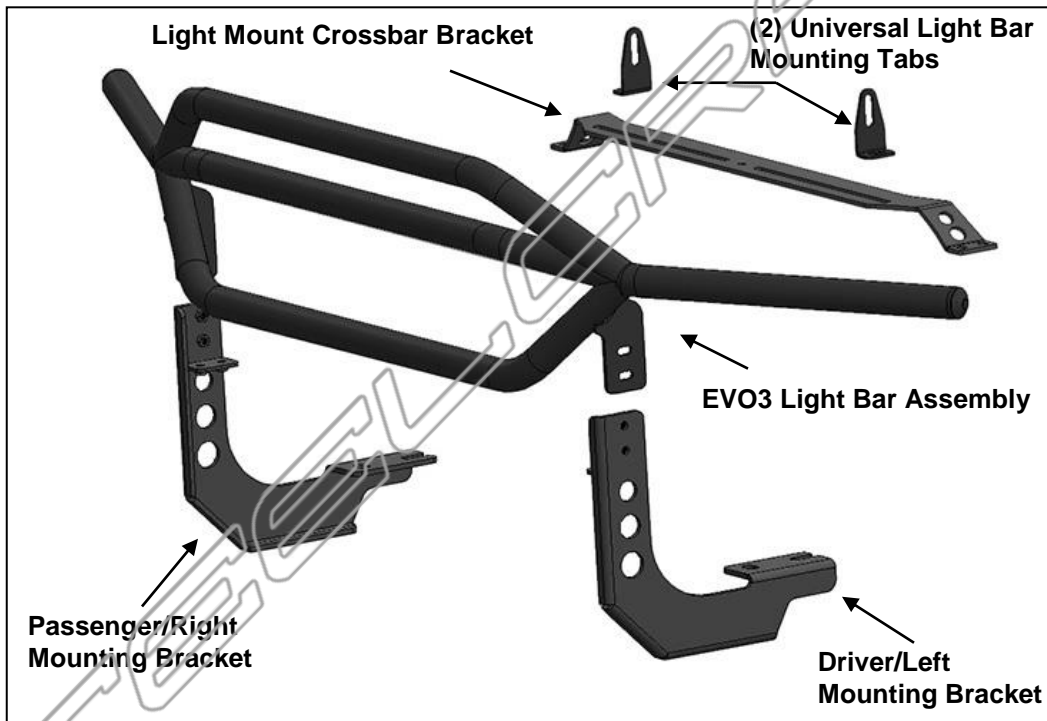


PARTS LIST:

Qty	Description	Qty	Description
1	EVO3 Light Bar	2	10mm U-Bolt (for use on "closed frames" only)
1	Light Mount Crossbar Bracket	4	10mm x 26mm OD x 3mm Flat Washers
2	Light Tab	4	10mm Lock Washers
1	Driver/Left Frame Mounting Bracket	4	10mm Hex Nuts
1	Passenger/Right Frame Mounting Bracket	10	8-1.25mm x 30mm Hex Bolts
4	12mm x 40mm Bolt Plates	12	8mm x 24mm OD x 2mm Flat Washers
4	12mm Lock Washers	8	8mm Lock Washers
4	12mm x 24mm OD x 2mm Flat Washers	2	8-1.25mm Nylon Lock Nuts
4	12mm Hex Nuts		



PROCEDURE:

REMOVE CONTENTS FROM BOX. VERIFY ALL PARTS ARE PRESENT. READ INSTRUCTIONS CAREFULLY BEFORE STARTING INSTALLATION. CUTTING MAY BE REQUIRED. ASSISTANCE IS RECOMMENDED.

DO NOT USE LIGHT BAR AND/OR BRACKETS FOR TOWING/PULLING.

1. Determine if the vehicle is equipped with factory tow hooks:

Vehicles without Tow Hooks:

- a. Remove the plastic lower cover under the bumper, **(Figure 1)**.
- b. Determine if the end of the frame is open or closed.

Models with "open" end of frame:

- i. Starting on the driver side of the vehicle, insert (2) 12mm Bolt Plates through the opening in the end of the frame and down through the (2) holes in the bottom of the frame, **(Figures 2A & 2B)**.
- ii. Select the driver side Frame Mounting Bracket, **(Page 1)**. Attach the Bracket to the Bolt Plates with (2) 12mm Flat Washers, (2) 12mm Lock Washers and (2) 12mm

Hex Nuts, **(Figure 6)**. Snug but do not tighten the hardware at this time. Repeat to install the passenger side Bracket.

Models with “closed” end of frame:

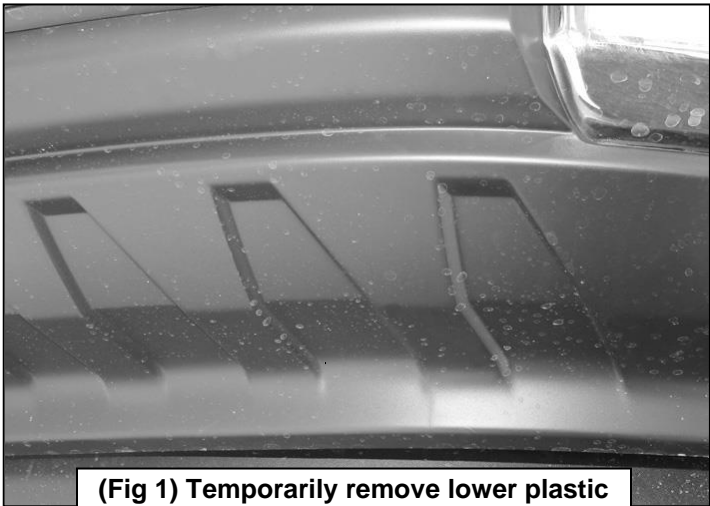
- i. Starting on the driver side of the vehicle, locate the two holes in the bottom of the frame. Insert (1) 10mm U-Bolt into one hole and out the other, **(Figure 3A & 3B)**.
- ii. Attach the driver side Mounting Bracket to the U-Bolt with (2) 10mm Flat Washers, (2) 10mm Lock Washers and (2) 10mm Hex Nuts, **(Figure 6)**. Snug but do not tighten the hardware at this time.
- iii. Repeat to install the passenger side U-Bolt and Mounting Bracket.
- c. Next, apply a section of removable tape to the inside (back) of the plastic cover in both Bracket locations. Hold the cover up in approximate position against the Brackets.
- d. Trace the location of the Brackets onto the tape on the cover, **(Figure 4)**. Use a knife or hacksaw blade to cut slots in the cover for the Brackets. Do not cut through the top edge of the cover, only cut enough material to clear the Brackets.
- e. Once the slots are done, remove the Brackets and reinstall the cover. Trim cover as necessary and reinstall the Brackets through the cover.
- f. Snug but do not tighten hardware at this time.

Vehicles with Factory Tow Hooks

- a. Remove the tow hooks by first removing the front bolt and only loosen the rear bolt, **(Figure 5)**. Slide the tow hooks off. Leave the rear bolt in place to help hold the factory nut plate in place inside the frame and aligned with the holes. **NOTE:** The EVO3 Light Bar is not compatible with the factory tow hooks and they cannot be reinstalled.
 - b. Attach the driver side Frame Mounting Bracket to the bottom of the frame with the factory tow hook bolts, **(Figure 6)**. Snug but do not tighten hardware at this time.
 - c. Repeat to install the passenger side Frame Bracket.
2. Carefully unwrap the EVO3 Light Bar. Slide the mounting tabs on the Light Bar over the outside of the Mounting Brackets. Attach the Light Bar to the Brackets with (4) 8mm Hex Bolts, (4) 8mm Lock Washers and (4) 8mm Flat Washers, **(Figures 7 & 8)**. Leave hardware loose.
 3. Next, select the long Light Mount Crossbar Bracket, **(Figure 9)**. Attach the Bracket to the top of the tabs on the Frame Brackets with (4) 8mm Hex Bolts, (4) 8mm Lock Washers and (4) 8mm Flat Washers, **(Figure 10)**. Leave hardware loose at this time.
 4. Align and adjust the assembly and tighten all hardware. **NOTE:** Tighten 8mm hardware to 18-20ft-lbs, 10mm U-Bolt hardware (if used) to 24-28ft-lbs and 12mm hardware to 35-40ft-lbs.
 5. If installing an accessory light at this time, select the (2) “L” Universal Light Brackets, **(Figure 11)**. Replace the brackets included with the light with the (2) Universal Brackets. Attach the Brackets to the long slot in either side of the Light Mount Crossbar Bracket with the included (2) 8mm Hex Bolts, (4) 8mm Flat Washers and (2) 8mm Nylon Lock Nuts.
 6. Follow the instructions provided by the light manufacturer to attach the light to the (2) Brackets and to install the electrical wiring. Once adjusted, tighten the 8mm hardware to 18-20ft-lbs.
 7. Do periodic inspections to the installation to make sure that all hardware is secure and tight.

To protect your investment, wax this product after installing. Regular waxing is recommended to add a protective layer over the finish. Do not use any type of polish or wax that may contain abrasives that could damage the finish. Mild soap may be used to clean the EVO3 Light Bar.

Driver Side Installation Pictured



(Fig 1) Temporarily remove lower plastic cover on models without tow hooks

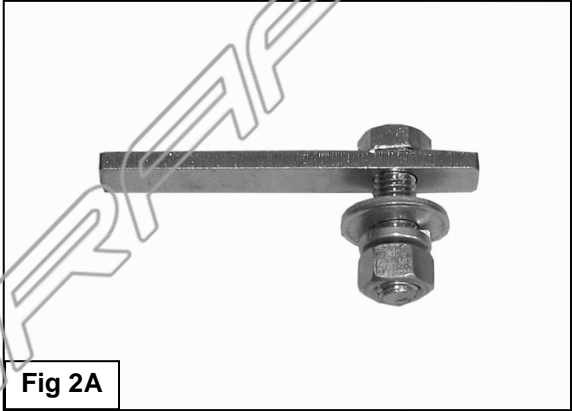


Fig 2A

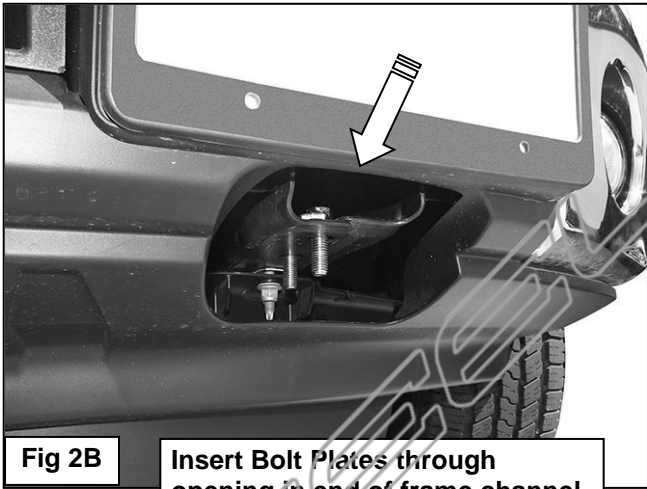


Fig 2B Insert Bolt Plates through opening in end of frame channel



(Fig 3A) 10mm U-Bolt

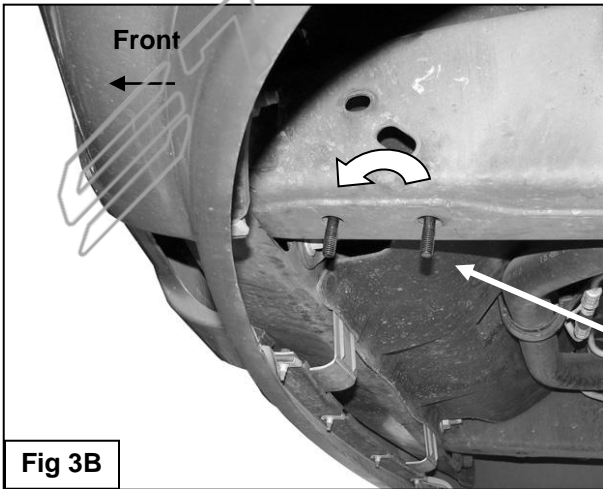
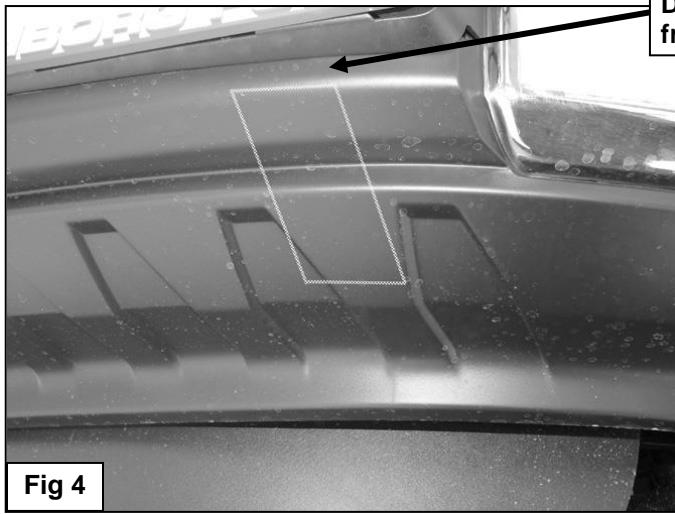


Fig 3B

Use 10mm U-Bolts only if the ends of the frame are not open

Driver Side Installation Pictured



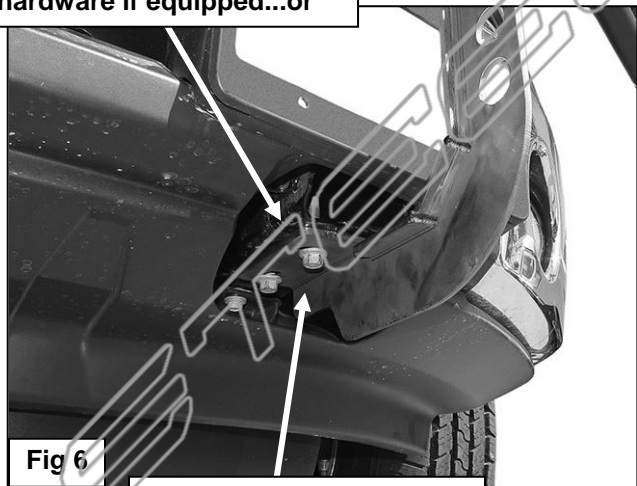
NOTE: Outline illustrated for example only. Only remove enough plastic for Bracket clearance. Do not cut through the front or rear edge of the cover.

Remove tow hooks if equipped

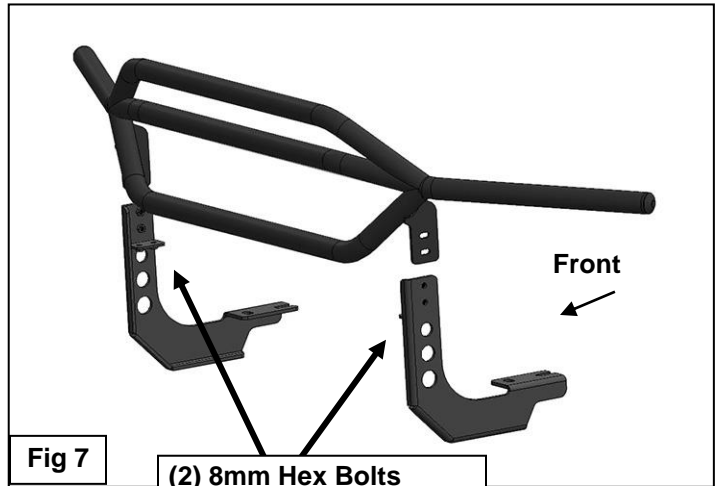


Models without tow hooks: Install and adjust the Brackets. Hold the plastic cover up against Brackets. Mark outline of Brackets onto back of cover. Dashed line for example only

Reuse the factory tow hook hardware if equipped...or



- 12mm Bolt Plates use:
 - (2) 12mm Flat Washers
 - (2) 12mm Lock Washers
 - (2) 12mm Hex Nuts
- 10mm U-Bolts use:
 - (2) 10mm Flat Washers
 - (2) 10mm Lock Washers
 - (2) 10mm Hex Nuts



- (2) 8mm Hex Bolts
- (2) 8mm Flat Washers
- (2) 8mm Lock Washers

**EVO3 LIGHT BAR
2004-15 F-150 (INCLUDES ECOBOOST)
2003-14 EXPEDITION**

Driver Side Installation Pictured

