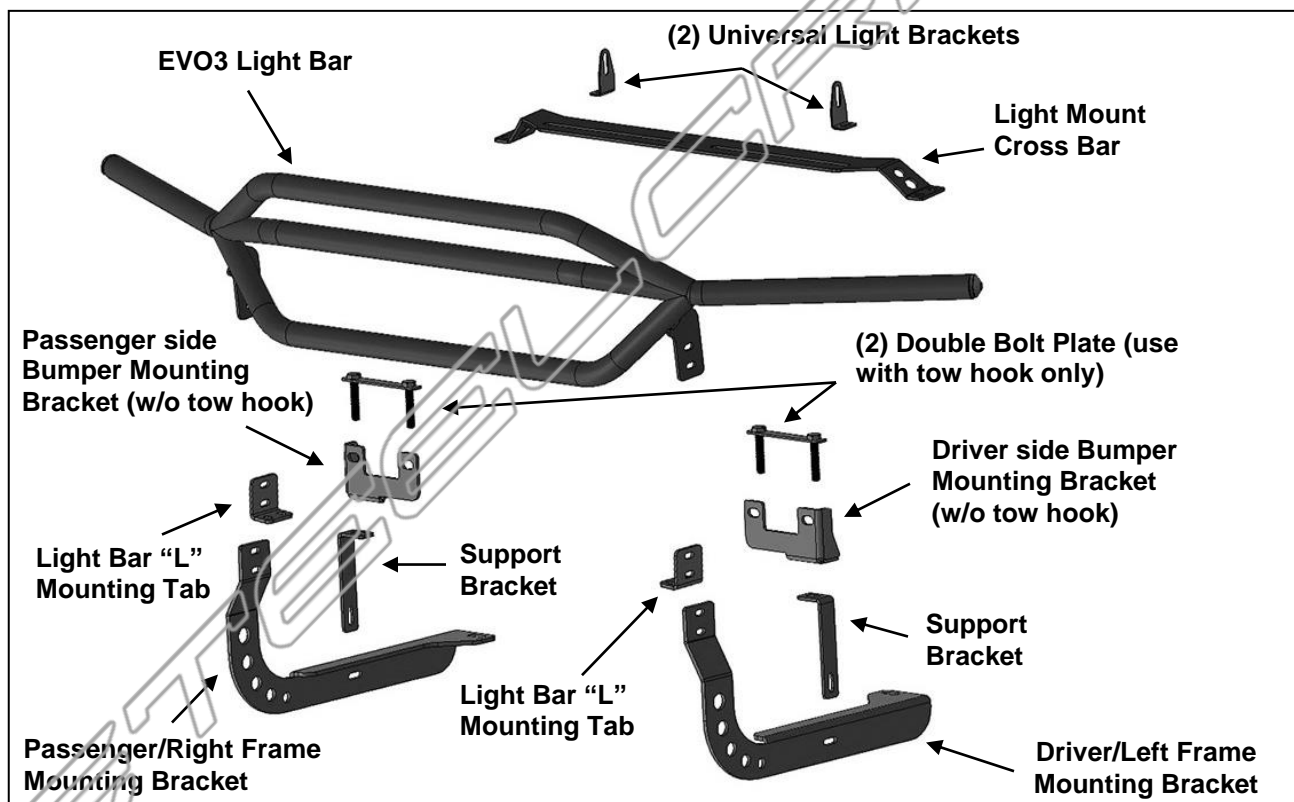


PARTS LIST:

1	Front Light Bar	2	12mm x 44mm x 4mm Large Flat Washers
1	Driver/left Lower Frame Bracket	4	12mm x 32mm x 3mm STD Flat Washers
1	Passenger/right Lower Frame Bracket	2	12mm Lock Washers
2	Lower Support Brackets	4	12-1.75mm Nylon Lock Nuts
1	Driver/left Bumper Mounting Bracket (w/out tow hooks)	14	8-1.25mm x 30mm Hex Bolts
1	Passenger/right Bumper Mounting Bracket (w/out tow hooks)	28	8mm x 22mm OD x 2mm Flat Washers
1	Light Mount Crossbar	14	8-1.25mm Nylon Lock Nuts
2	Universal Light Tabs	2	5-.8mm x 15mm Button Head Allen Bolt
2	Light Bar Mounting Tabs	4	5mm x 10mm OD x 1mm Flat Washers
2	12-1.75mm x 65mm Double Bolt Plates (use with tow hooks only)	2	5mm Nylon Lock Nuts
2	12-1.5mm x 60mm Special Fine Thread Hex Bolts	1	Wrench (Allen bolt)



PROCEDURE:

- 1. REMOVE CONTENTS FROM BOX. VERIFY ALL PARTS ARE PRESENT. READ INSTRUCTIONS CAREFULLY BEFORE STARTING INSTALLATION. CUTTING IS REQUIRED. ASSISTANCE IS RECOMMENDED. DO NOT USE LIGHT BAR AND/OR BRACKETS FOR TOWING/PULLING.**
NOTE: It may be necessary to remove/relocate front license plate and license plate bracket. It is not required, but strongly recommended. If local/state law requires a front license plate, license plate relocation kit is available.
- 2. Starting under the front bumper, carefully remove the plastic splash guard. NOTE:** Depending on the model and year, the splash guard may be attached to the bottom of the bumper with hex bolts and several two-piece plastic push-in clips, **(Figure 1A)**. Remove all hex bolts then locate the clips behind the bumper cover. Pry up on the center pin of the clip with a small flat blade screwdriver and remove the entire clip, **(Figure 1B)**. Pay close attention to the type and location of all factory hardware for reinstallation.

IMPORTANT: The splash guard may also be attached at the ends of the bumper cover with rivets. Use wire cutters to remove the rivets. Once all fasteners have been removed, move splash guard to a clean stable work area.

3. Next, determine if the truck is equipped with tow hooks.

For models without tow hooks:

- a. Remove the hex nuts from the two lower factory bumper bolts, **(Figure 2)**.
- b. Select the passenger side Bumper Mounting Bracket, **(Figure 3)**. Attach the Mounting Bracket to the back of the bumper bracket with the (2) factory hex nuts.
- c. Select (1) Support Bracket. Attach the bent end of the Support Bracket to the mounting hole in the bottom of the Bumper Mounting Bracket with (1) 8mm Hex Bolt, (2) 8mm Flat Washers and (1) 8mm Nylon Lock Nut, **(Figures 4 & 5)**. Leave hardware loose at this time.
- d. Next, select the passenger side Frame Mounting Bracket. Hold the Frame Bracket up to the threaded hole in the bottom of the frame. Attach the inner end of the Frame Bracket to the frame with (1) 12-1.5mm x 60mm Special Fine Thread Hex Bolt, (1) 12mm Lock Washer and (1) 12mm x 44mm Large Flat Washer, **(Figure 6)**.
- e. Bolt the flat end of the Support Bracket to the outside of the Frame Bracket with (1) 8mm Hex Bolt, (2) 8mm Flat Washers and (1) 8mm Nylon Lock Nut, **(Figures 5 & 6)**. Snug but do not fully tighten hardware at this time.
- f. Repeat to install the driver side Brackets. Skip to **Step 4**.

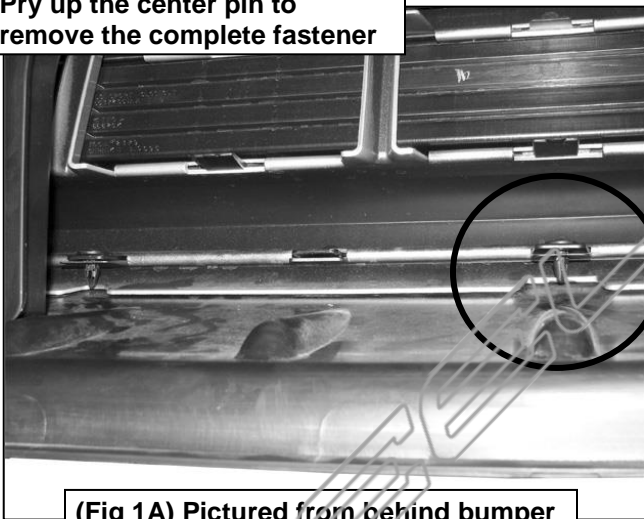
For models with tow hooks:

- a. Remove the (2) factory hex nuts attaching the front of the tow hook to the bottom of the bumper bracket, **(Figure 7)**. Replace the factory bolt plate with the included longer 12mm Double Bolt Plate, **(Figures 8 & 9)**.
 - b. Select (1) Support Bracket. Attach the bent end of the Support Bracket to the bottom of the outer threaded end of the Bolt Plate, (below the tow hook). Use the included (2) 12mm x 32mm STD Flat Washers and (2) 12mm Nylon Lock Nuts, **(Figures 8 & 9)**, to attach the Support Bracket and tow hook to the Double Bolt Plate. Leave hardware loose at this time.
 - c. Next, select the passenger side Frame Mounting Bracket. Remove the single rear bolt in the tow hook. Hold the Frame Bracket up to the bottom of the tow hook. Attach the inner end of the Frame Bracket to the tow hook and frame with (1) 12-1.5mm x 60mm **Special Fine Thread** Hex Bolt, (1) 12mm Lock Washer and (1) 12mm x 44mm Large Flat Washer, **(Figure 9)**.
 - d. Bolt the flat end of the Support Bracket to the outside of the Frame Bracket with (1) 8mm Hex Bolt, (2) 8mm Flat Washers and (1) 8mm Nylon Lock Nut, **(Figure 9)**. Leave hardware loose.
 - e. Repeat to install the driver side Brackets.
4. Select (2) "L" Light Bar Mounting Tabs and the EVO3 Light Bar, **(Figure 10)**. With assistance, position the EVO3 Light Bar onto the inside of the passenger side Frame Mounting Bracket. Insert (2) 8mm Hex Bolts with (2) Flat Washers through the mounting holes in the passenger side Frame Bracket, the EVO3 Light Bar and finally through the "L" Light Bar Mounting Tab, **(Figures 10 & 12)**. Secure with (2) 8mm Flat Washers and (2) 8mm Nylon Lock Nuts. Leave hardware loose at this time. Repeat to attach the driver side of the Light Bar.
5. Stand back from the vehicle and check to see that the Light Bar is centered and level on the vehicle and adjust as necessary. Snug but do not fully tighten all of the hardware.
6. Next, hold the splash guard up to the bottom of the mounting brackets in line with the mounting points. Mark the location of the Frame Mounting Brackets onto the back of the splash guard, **(Figure 11)**.
7. Remove the EVO3 Light Bar assembly from the Frame Mounting Brackets. Loosen but do not remove the Frame Brackets. Cut (2) approximately 2" wide by 4" long slots in the splash guard as pictured in **Figure 11** to clear the Frame Brackets. **NOTE:** The size of the slot is an estimate only and may vary due to different factory designs for the splash guards and front bumper covers. **IMPORTANT:** To maintain the integrity of the splash guard, do not cut the slot any larger than necessary. Do not cut through the front or back edges of the cover, **(Figure 11)**. Make several small cuts first and check the fit often for a clean installation.
8. Once properly trimmed, slide the splash guard over the Frame Brackets and reinstall with the factory hardware. Use the included (2) 5mm x 15mm Allen Bolts, (4) 5mm Flat Washers and (2) 5mm Lock Nuts at the ends of the splash guard if required, **(Figure 11)**.

EVO3 LIGHT BAR
09-14 DODGE RAM 1500

9. Repeat the previous Steps to reinstall the EVO3 Light Bar. Do not tighten hardware at this time.
 10. Select the Light Mount Cross Bar, **(Figure 12)**. Bolt the Crossbar to the top of the (2) "L" Light Bar Mounting Tabs with (4) 8mm Hex Bolts, (8) 8mm Flat Washers and (4) 8mm Nylon Lock nuts, **(Figure 13)**. Do not tighten at this time.
 11. Align and adjust the assembly and tighten all hardware. **NOTE:** Tighten 8mm hardware to 18-20ft-lbs and 12mm hardware to 35-40ft-lbs.
 12. If installing an accessory light at this time, select the (2) "L" Universal Light Brackets, **(Figure 13)**. Replace the brackets included with the light with the (2) Universal Brackets. Attach the Brackets to the long slot in either side of the Light Bar Mounting Bracket with the included (2) 8mm Hex Bolts, (4) 8mm Flat Washers and (2) 8mm Nylon Lock Nuts, **(Figure 14)**.
 13. Follow the instructions provided by the light manufacturer to attach the light to the (2) Brackets and to install the electrical wiring. Once adjusted, tighten the 8mm EVO3 hardware to 18-20ft-lbs and follow the light manufacture's procedure to tighten the light mounting hardware.
 14. Do periodic inspections to the installation to make sure that all hardware is secure and tight.
- To protect your investment**, wax this product after installing. Regular waxing is recommended to add a protective layer over the finish. Do not use any type of polish or wax that may contain abrasives that could damage the finish. Mild soap may be used to clean the EVO3 Light Bar.

Pry up the center pin to remove the complete fastener



(Fig 1A) Pictured from behind bumper

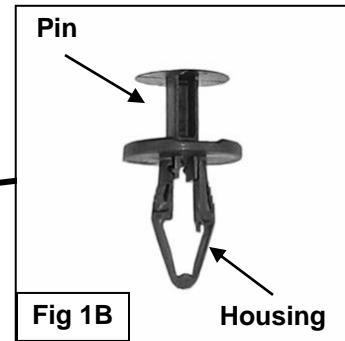
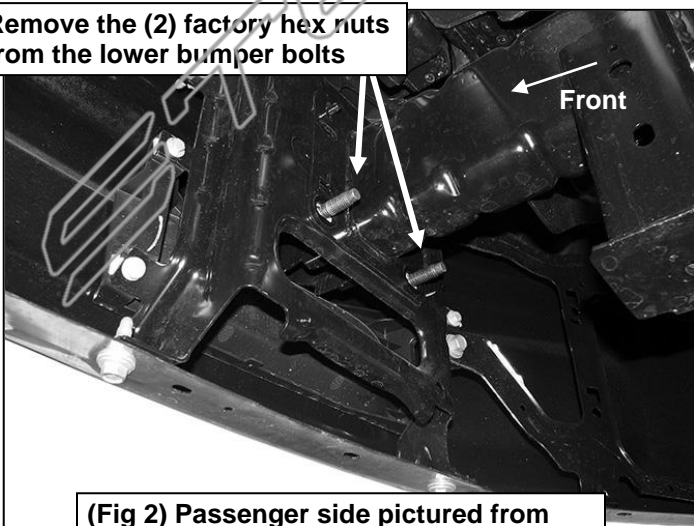
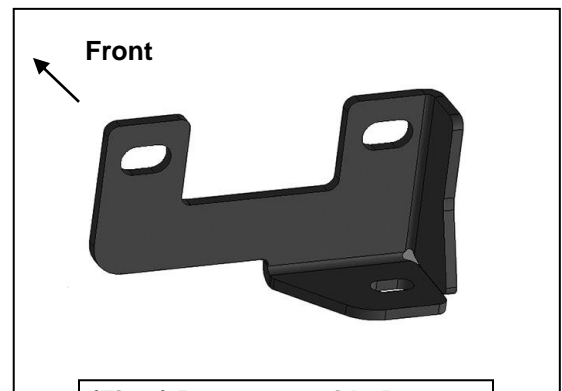


Fig 1B

Remove the (2) factory hex nuts from the lower bumper bolts

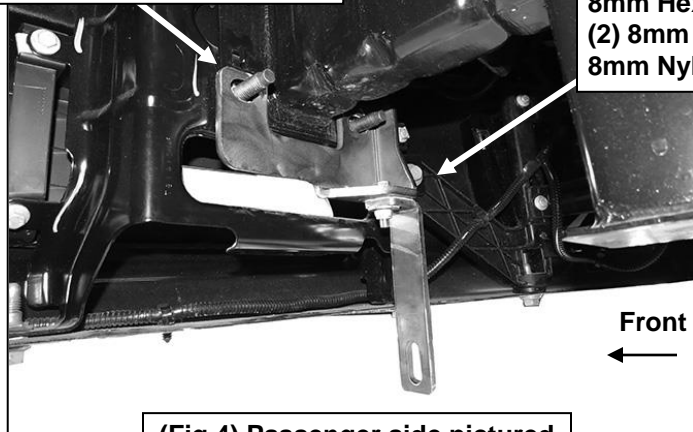


(Fig 2) Passenger side pictured from behind bumper (non tow hook models)



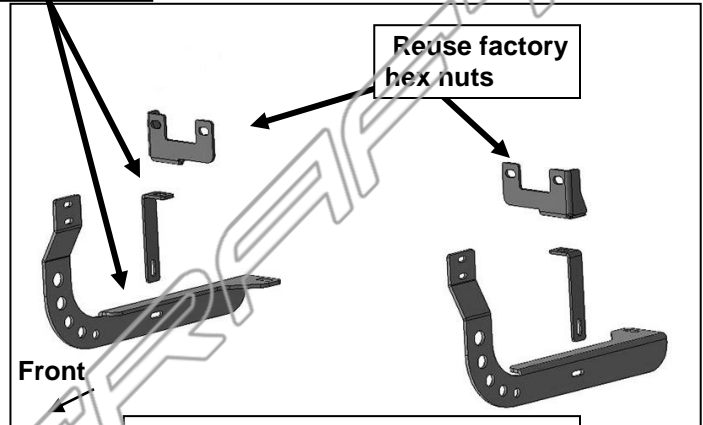
(Fig 3) Passenger side Bumper Mounting Bracket (required on models w/out tow hook only)

Frame Mounting Bracket
"No Tow Hook Models,"
Reuse factory hex nuts



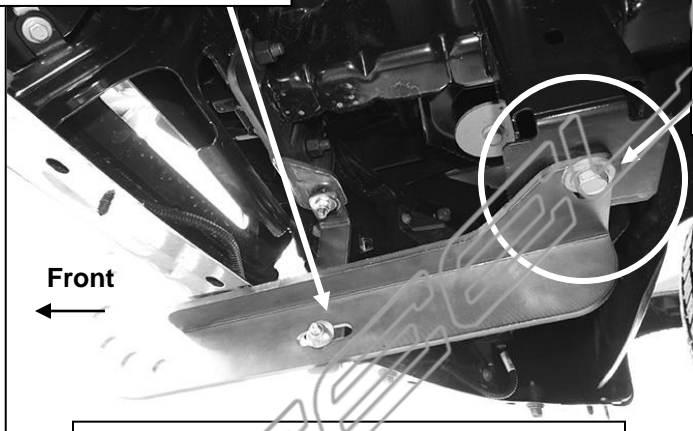
8mm Hex Bolt
(2) 8mm Flat Washers
8mm Nylon Lock Nut

(Fig 4) Passenger side pictured



(Fig 5) Models without Tow Hooks

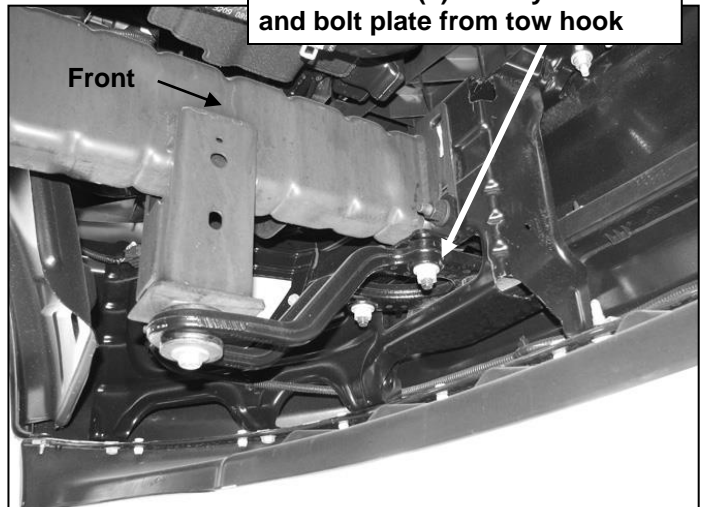
8mm Hex Bolt
(2) 8mm Flat Washers
8mm Nylon Lock Nut



(Fig 6) Passenger side Brackets pictured

IMPORTANT: Use only the supplied
12-1.5mm x 60mm Fine Thread Hex Bolt
12mm Lock Washer
12mm x 44mm Large Flat Washer

Remove the (2) factory hex nuts
and bolt plate from tow hook



(Fig 7) Driver side mounting location pictured from behind bumper on tow hook equipped model

Replace the (2) factory bolt plates with supplied Bolt Plates (models with tow hooks only)

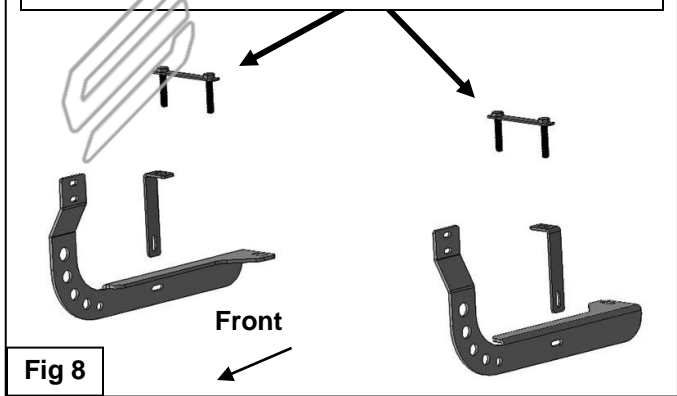
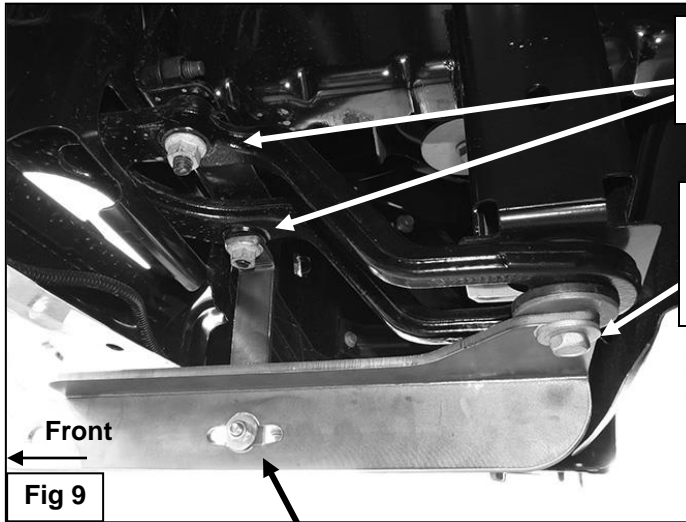


Fig 8

Installation pictured without the splash guard for instructions



12mm Double Bolt Plate
(2) 12mm x 32mm STD Flat Washers
(2) 12mm Nylon Lock Nuts

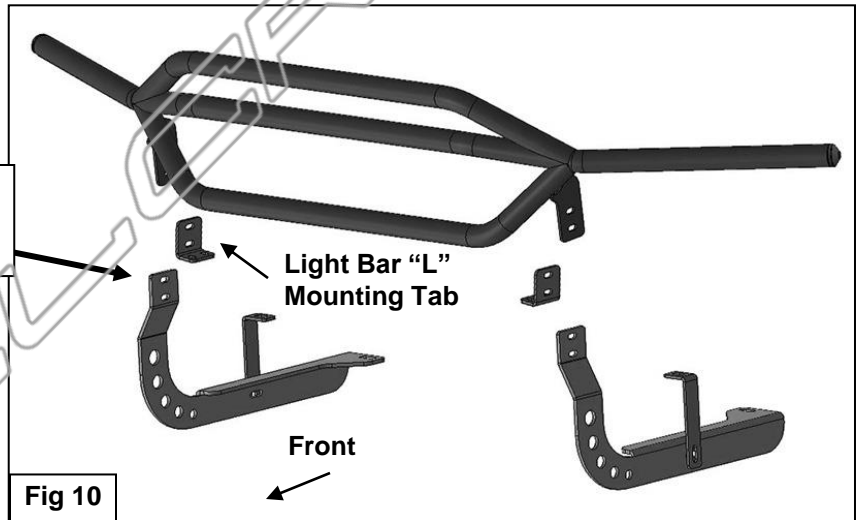
IMPORTANT: Use only the supplied
12-1.5mm x 60mm Fine Thread Hex Bolt
12mm Lock Washer
12mm x 44mm Large Flat Washer

Installation pictured without the splash guard for instructions

Fig 9

8mm Hex Bolt
(2) 8mm Flat Washers
8mm Nylon Lock Nut

(2) 8mm Hex Bolts
(4) 4mm Flat Washers
(2) 8mm Nylon Lock Nuts



Light Bar "L" Mounting Tab

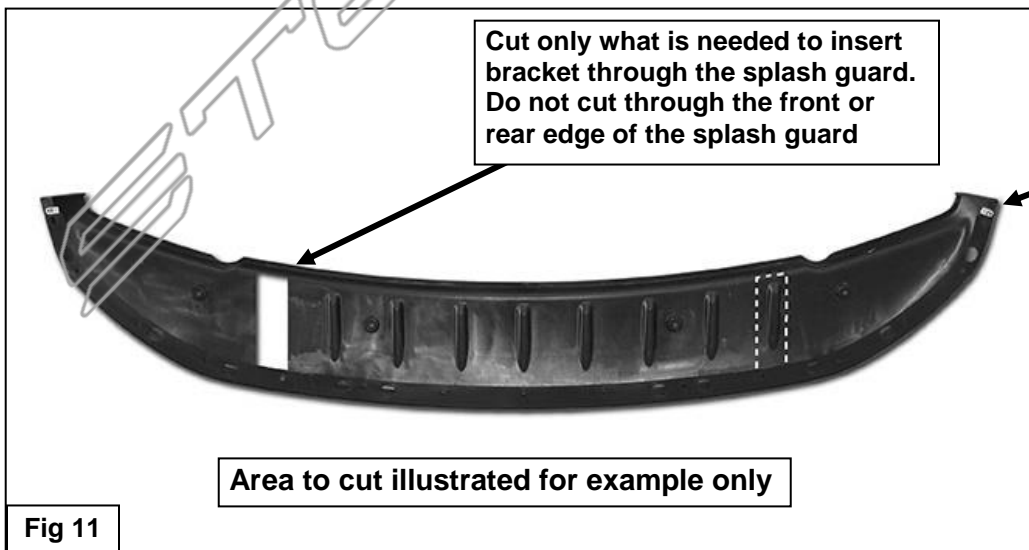
Front

Fig 10

Hold the splash guard up to the brackets and mark location for cutting to clear brackets. Cut only what is needed to insert brackets through the splash guard.

Cut only what is needed to insert bracket through the splash guard. Do not cut through the front or rear edge of the splash guard

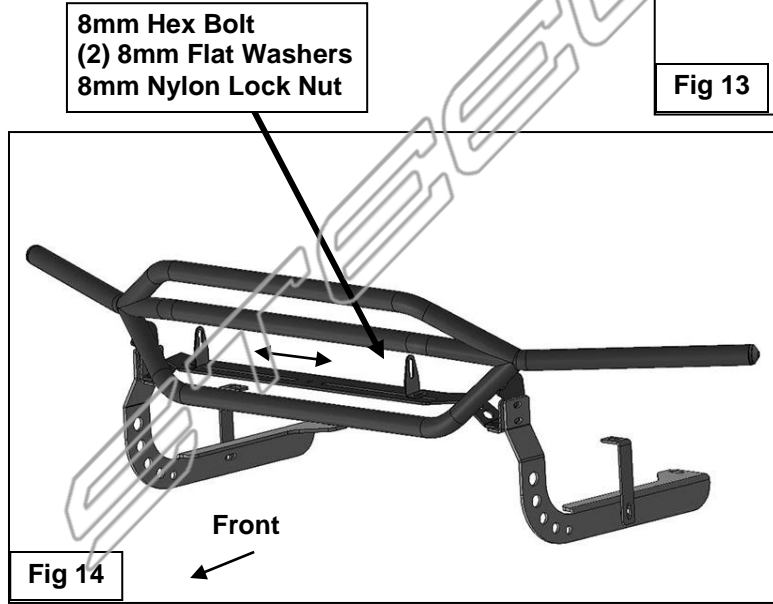
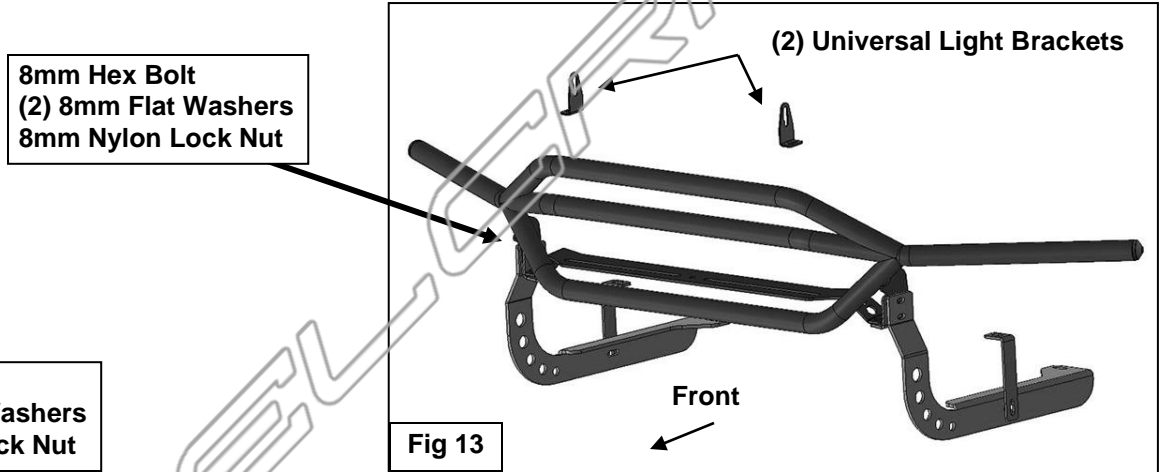
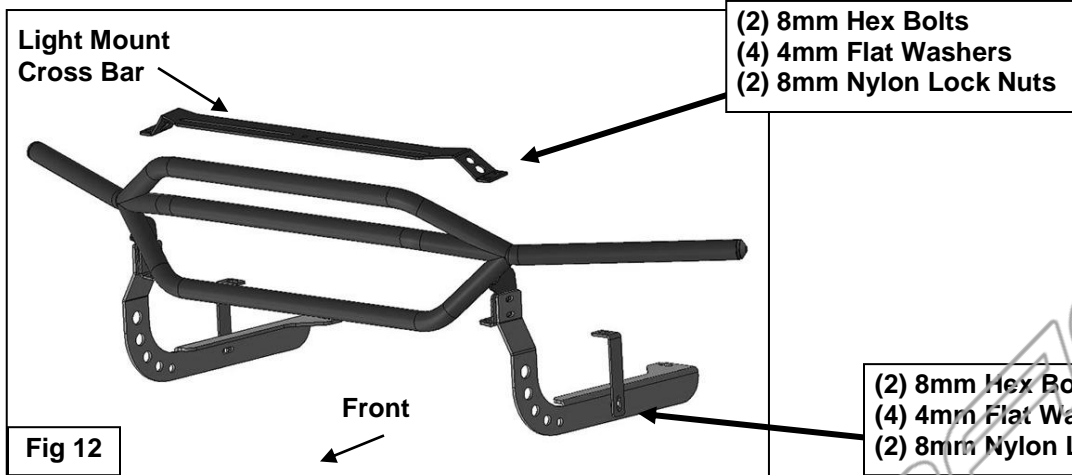
If required, replace the rivet at the corner of the splash guard with the supplied:
5mm x 15mm Button Head Allen Bolt
(2) 5mm Flat Washers
5mm Nylon Lock Nut



Area to cut illustrated for example only

Fig 11

EVO3 LIGHT BAR
09-14 DODGE RAM 1500



Complete Installation
(light not included)