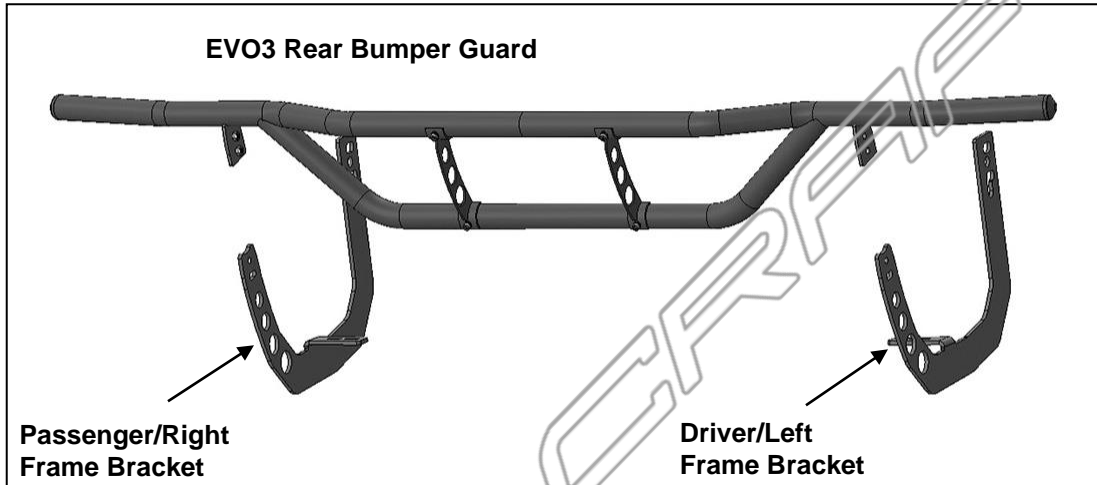


**EVO3 REAR BUMPER GUARD
2007-14 CHEVY SILVERADO 1500
2015 CHEVY SILVERADO 2500/3500**

PARTS LIST:

1	Rear Bumper Guard	2	10mm Nylon Lock Nuts
1	Driver/Left Frame Mounting Bracket	4	8-1.25 x 30mm Hex Bolt
1	Passenger/Right Frame Mounting Bracket	4	8mm Lock Washer
2	10-1.5mm x 35mm Hex Bolt	4	8mm x 24mm OD x 2mm Flat Washer
4	10mm x 22mm x 2mm Flat Washer		



PROCEDURE:

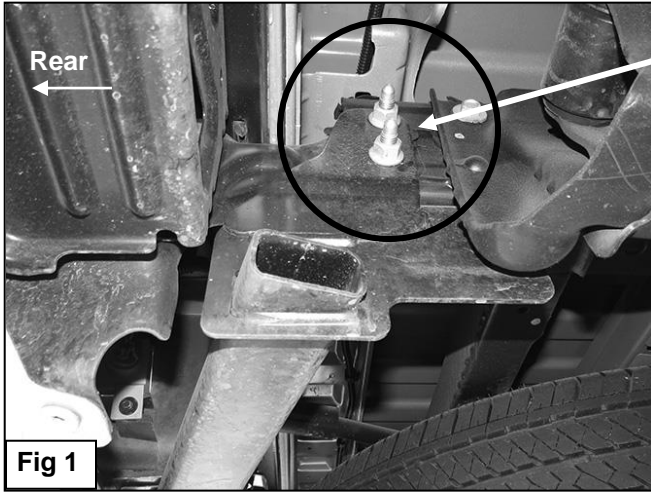
REMOVE CONTENTS FROM BOX. VERIFY ALL PARTS ARE PRESENT. READ INSTRUCTIONS CAREFULLY BEFORE STARTING INSTALLATION. INSTALLATION MAY INTERFERE WITH BUMPER MOUNTED SENSORS. REAR BUMPER GUARD IS DESIGNED TO INSTALL WITH FACTORY TOW HITCH ASSEMBLY. AFTERMARKET TOW HITCH MAY INTERFERE WITH INSTALLATION. DO NOT USE EVO3 BUMPER GUARD FOR TOWING/PULLING. DO NOT ATTACH SAFETY CHAINS TO BUMPER GUARD AND/OR BRACKETS.

1. Start installation at the passenger side-rear of the vehicle. Locate the (2) factory nuts or hex bolts attaching the bumper bracket to the end of the frame channel, **(Figures 1 & 4)**. Remove the hardware. **IMPORTANT:** Install one Frame Bracket at a time.
2. Next, locate and remove the factory bumper to bracket bolt in the bottom of the bumper, **(Figure 2)**.
3. Select the passenger side Frame Bracket, **(Figure 3A)**. Reuse the factory hardware to attach the Bracket to the side of the frame, **(Figures 3A, 3B & 4)**.
4. Line up the correct slot in the mounting tab on the side of the Frame Bracket with the factory hole in the bottom of the bumper, **(Figure 5)**. Bolt the tab to the bottom of the bumper with the factory hardware or replace with the included 10mm x 35mm Hex Bolt, (2) 10mm Flat Washers and (1) 10mm Nylon Lock Nut. Snug but do not tighten hardware at this time.
5. Repeat **Steps 1—4** to install the driver side Frame Mounting Bracket.
6. Carefully un-wrap the Rear Bumper Guard. With assistance, position the EVO3 Rear Bumper Guard up to the inside of the Brackets, **(Figure 6)**. Use the included (4) 8mm x 30mm Hex Bolts, (4) 8mm Lock Washers and (4) 8mm Flat Washers to bolt the Rear Bumper Guard to the Brackets, **(Figure 7)**.
7. Align and adjust the Rear Bumper Guard and tighten all hardware. **NOTE:** Tighten the 8mm hardware to 18-20ft-lbs, the 10mm hardware to 27-30ft-lbs and the factory hex nuts in the frame to 45-50ft-lbs.
8. Do periodic inspections to the installation to make sure that all hardware is secure and tight.

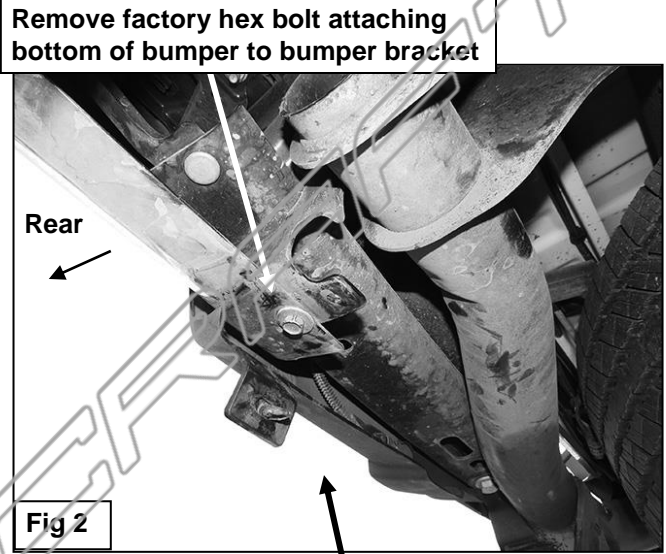
To protect your investment, wax this product after installing. Regular waxing is recommended to add a protective layer over the finish. Do not use any type of polish or wax that may contain abrasives that could damage the finish. Mild soap may be used to clean the Rear Bumper Guard.

**EVO3 REAR BUMPER GUARD
2007-14 CHEVY SILVERADO 1500
2015 CHEVY SILVERADO 2500/3500**

Passenger Side Installation Pictured

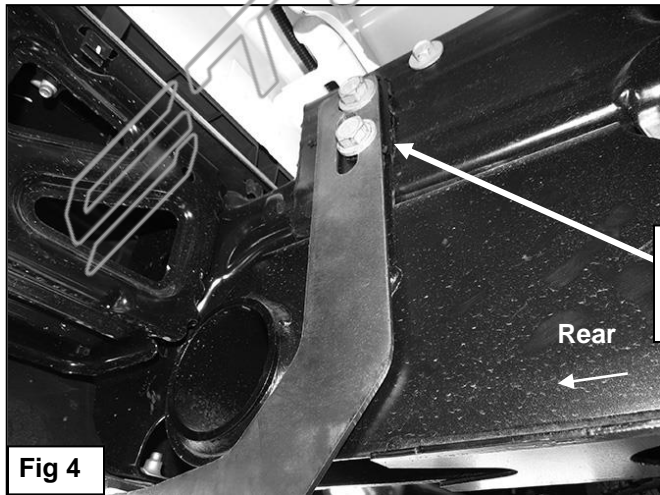
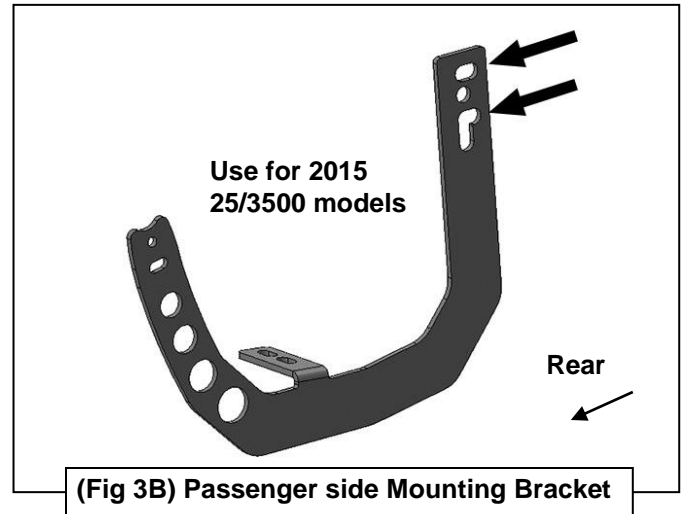
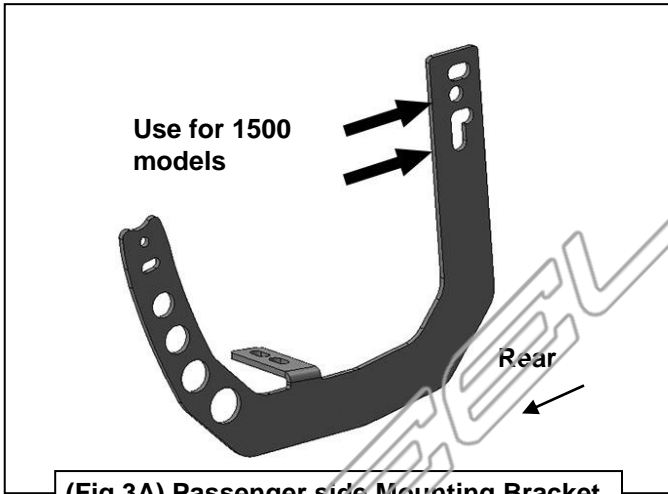


Remove (2) factory hex nuts (or bolts) from side of frame channel



Remove factory hex bolt attaching bottom of bumper to bumper bracket

Plastic bumper cover

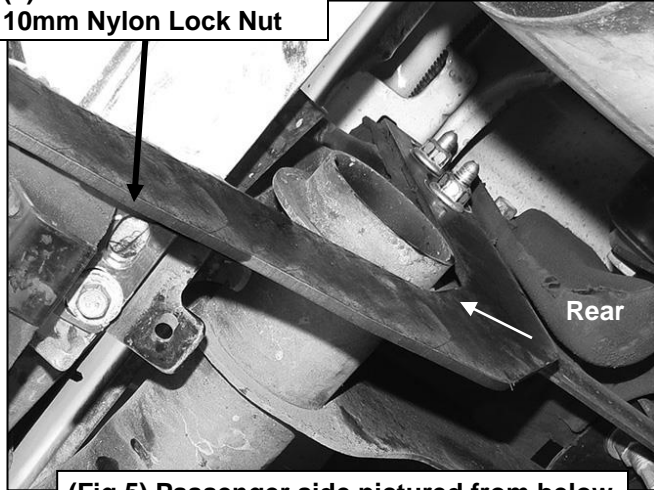


Reuse factory hardware to attach Bracket to outside of frame

**EVO3 REAR BUMPER GUARD
2007-14 CHEVY SILVERADO 1500
2015 CHEVY SILVERADO 2500/3500**

Passenger Side Installation Pictured

Use factory hardware or
replace with provided:
10mm x 35mm Hex Bolt
(2) 10mm Flat Washers
10mm Nylon Lock Nut



(Fig 5) Passenger side pictured from below

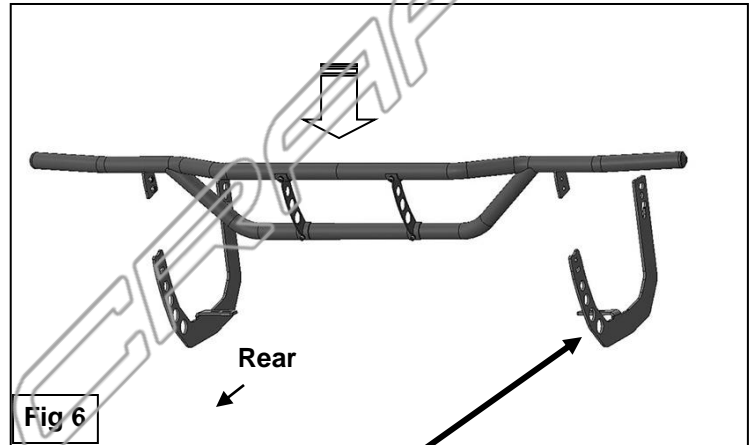


Fig 6

Use factory hardware or
replace with provided:
10mm x 35mm Hex Bolt
(2) 10mm Flat Washers
10mm Nylon Lock Nut

(2) 8mm x 30 Hex Bolts
(2) 8mm Lock Washers
(2) 8mm Flat Washers

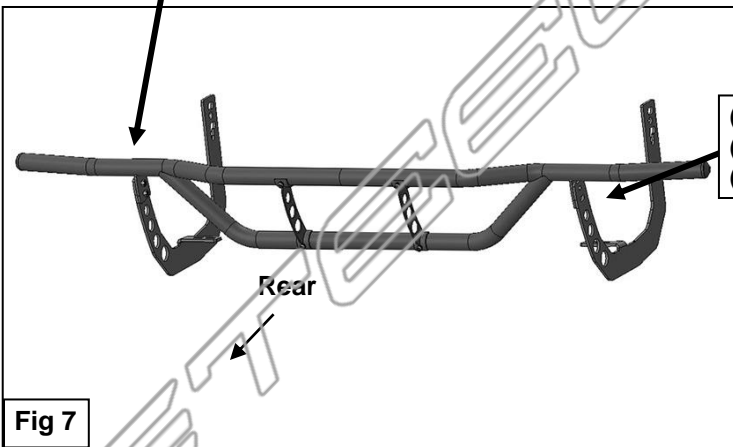


Fig 7

(2) 8mm x 30 Hex Bolts
(2) 8mm Lock Washers
(2) 8mm Flat Washers

