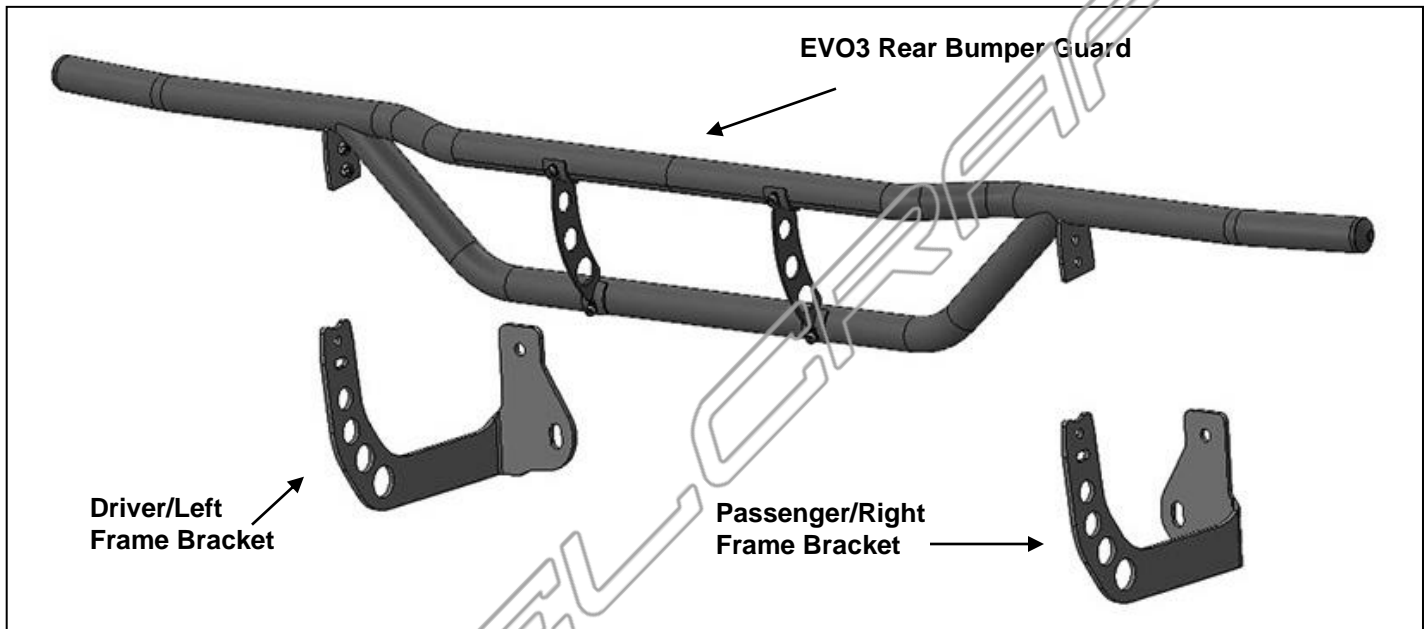


**EVO3 REAR BUMPER GUARD  
2009-14 FORD F150**

**PARTS LIST:**

Qty	Description	Qty	Description
1	EVO3 Rear Bumper Guard	2	12mm Lock Washers
1	Driver/Left Frame Mounting Bracket	2	12mm Hex Nuts
1	Passenger/Right Frame Mounting Bracket	4	8-1.25 x 30mm Hex Bolt
2	12-1.75mm x 35mm Hex Bolt	4	8mm Lock Washer
4	12mm x 32mm x 3mm Flat Washer	4	8mm x 24mm OD x 2mm Flat Washer



**PROCEDURE:**

1. REMOVE CONTENTS FROM BOX. VERIFY ALL PARTS ARE PRESENT. READ INSTRUCTIONS CAREFULLY BEFORE STARTING INSTALLATION. ASSISTANCE IS RECOMMENDED.
2. DO NOT USE EVO3 BUMPER GUARD FOR TOWING/PULLING. DO NOT ATTACH SAFETY CHAINS TO BUMPER GUARD AND/OR BRACKETS.

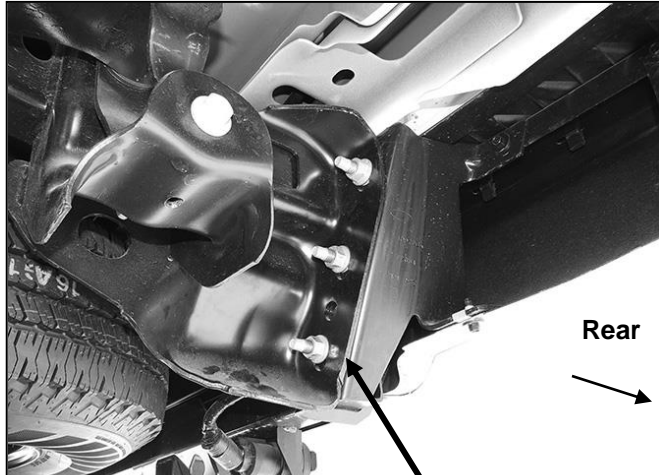
**IMPORTANT!** Due to the close proximity of the Frame Bracket to the muffler, allow mufflers to cool completely before starting the installation.

3. Start installation at the driver side-rear of the vehicle. Locate the (2) or (3) factory hex nuts securing the inner bolt plate to the bumper bracket, **(Figure 1)**. Remove the bottom and center hex nuts only, **(Figure 2)**. **NOTE:** On some models, the bottom hole may not be used. Use the supplied replacement hardware, (see **Step 4, Figure 4**).
4. Select the driver/left Frame Mounting Bracket. Slide the Bracket over the threaded bolt plate and attach using the factory hex nuts, **(Figure 3)**. On models without hardware in the lower hole, use the supplied (1) 12mm x 35mm Hex Bolt, (2) 12mm Flat Washers, (1) 12mm Lock Washer and (1) 12mm Hex Nut, **(Figure 4)**. Leave hardware loose at this time.
5. Repeat **Steps 3 & 4** to install the passenger side Frame Mounting Bracket.
6. With assistance, carefully position the EVO3 Rear Bumper Guard up to the inside of the Brackets. Use the included (4) 8mm x 30mm Hex Bolts, (4) 8mm Lock Washers and (4) 8mm Flat Washers to bolt the Rear Bumper Guard to the Brackets, **(Figures 5 & 6)**.
7. Align and adjust the Rear Bumper Guard and tighten all hardware including the Bracket to Bolt Plate hardware. **NOTE:** Tighten 8mm hardware to 18-20ft-lbs and all 12mm hardware to 45-50ft-lbs.
8. Do periodic inspections to the installation to make sure that all hardware is secure and tight.

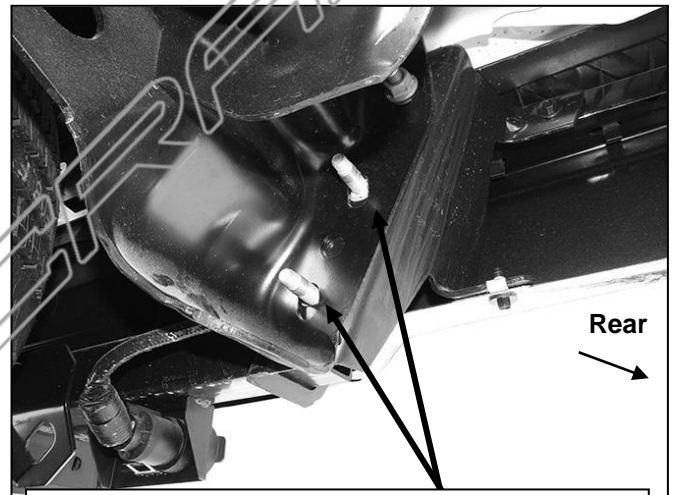
**EVO3 REAR BUMPER GUARD  
2009-14 FORD F150**

To protect your investment, wax this product after installing. Regular waxing is recommended to add a protective layer over the finish. Do not use any type of polish or wax that may contain abrasives that could damage the finish. Mild soap may be used to clean the Rear Bumper Guard.

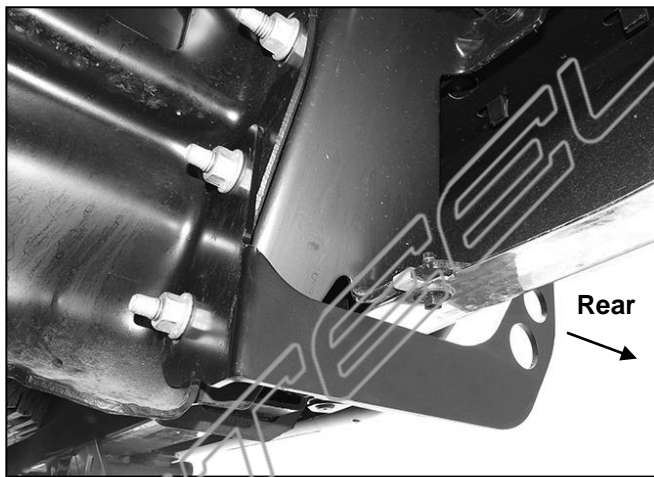
**Driver Side Installation Pictured**



**(Fig 1) Locate factory bumper bracket hardware**

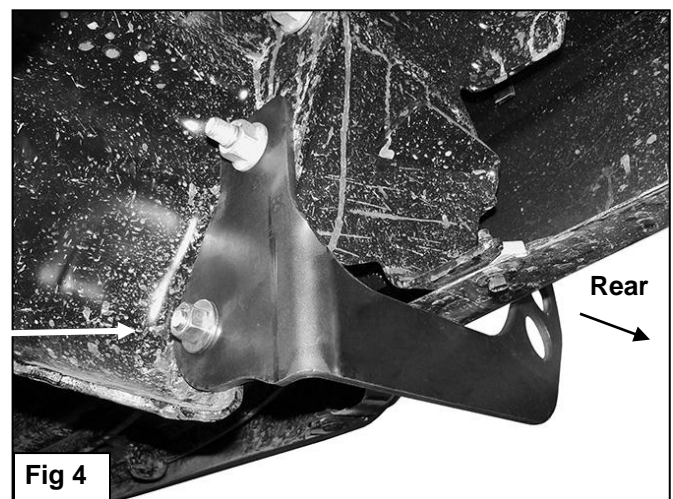


**(Fig 2) Remove the bottom and center hex nuts**



**(Fig 3) Re-use factory hex nuts to attach Bracket**

On models without  
factory hardware in lower  
bracket hole, use:  
12mm x 35 Hex Bolt  
(2) 12mm Flat Washers  
12mm Lock Washer  
12mm Hex Nut



**EVO3 REAR BUMPER GUARD  
2009-14 FORD F150**

