



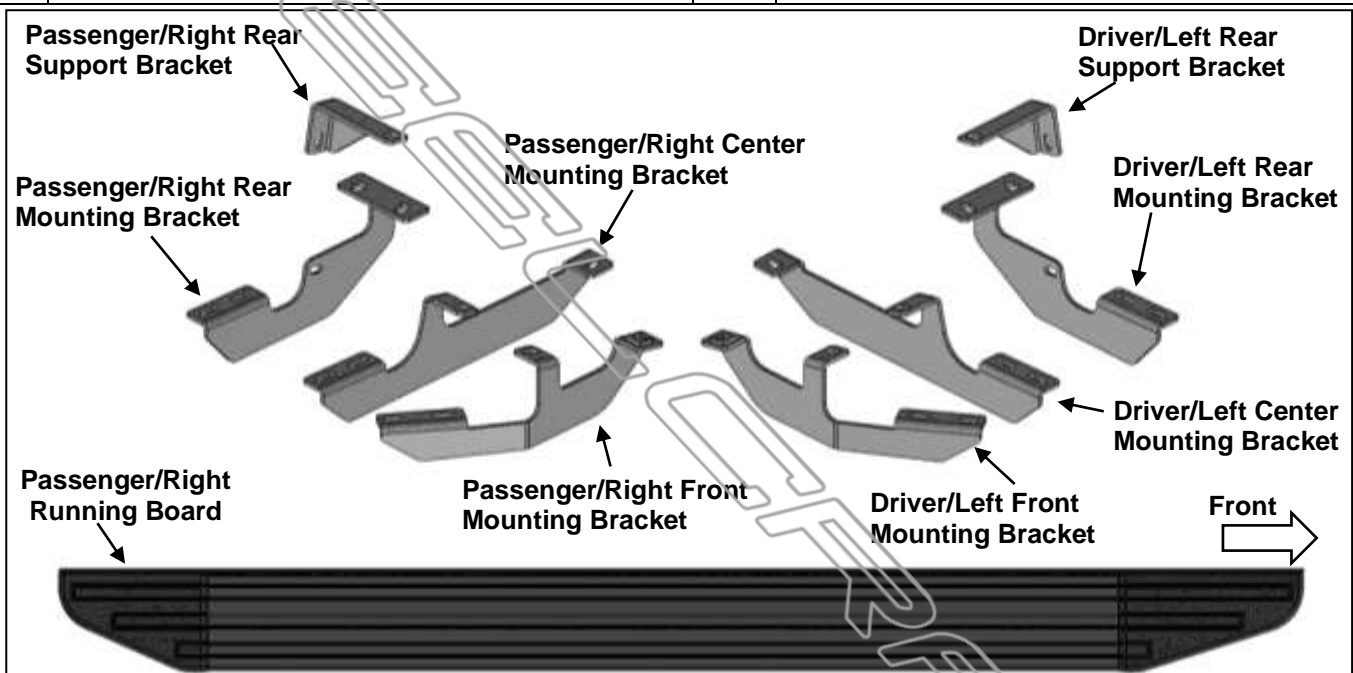
INSTALLATION INSTRUCTIONS

STX100 RUNNING BOARDS

21-22 NISSAN ROGUE

PARTS LIST:

1	Driver/Left Viewpoint Running Board	14	10mm x 27mm OD x 3mm Flat Washers
1	Passenger/Right Viewpoint Running Board	14	10mm Lock Washers
1	Driver/Left Front Mounting Bracket	14	10mm Hex Nuts
1	Passenger/Right Front Mounting Bracket	2	8mm x 25mm Hex Bolts
1	Driver/Left Center Mounting Bracket	4	8mm x 24mm OD x 2mm Flat Washers
1	Passenger/Right Center Mounting Bracket	2	8mm Lock Washers
1	Driver/Left Rear Mounting Bracket	2	8mm Hex Nuts
1	Passenger/Right Rear Mounting Bracket	12	6mm x 20mm T-Bolts
1	Driver/Left Rear Support Bracket	12	6mm x 22mm OD x 2mm Flat Washers
1	Passenger/Right Rear Support Bracket	12	6mm Lock Washers
2	10mm x 35mm Large Bolt Plates	12	6mm Hex Nuts
12	10mm x 35mm Small Bolt Plates		



PROCEDURE:

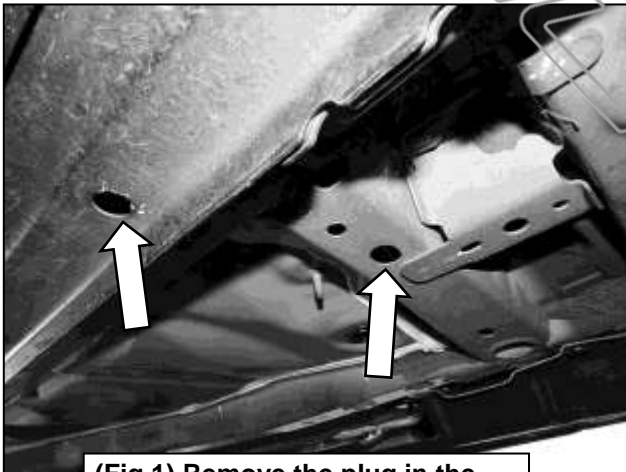
REMOVE CONTENTS FROM BOX. VERIFY ALL PARTS ARE PRESENT. READ INSTRUCTIONS CAREFULLY BEFORE STARTING INSTALLATION. CUTTING IS REQUIRED. ASSISTANCE IS RECOMMENDED.

1. Start the installation under the Passenger/ Right side of the vehicle. Locate and remove all hardware attaching the plastic covers to the floor panel. Remove the plugs covering the holes in the outer panel. Move to the front location, **(Figure 1)**.
2. Select (2) 10mm Small Bolt Plates. Insert the Small Bolt Plates into the (2) indicated holes in **Figure 1**, the large hole in the floor panel and the smaller hole in the outer panel, **(Figure 2)**.
3. Select the Passenger/Right Front Mounting Bracket. Attach the Mounting Bracket to the (2) Bolt Plates with (2) 10mm Flat Washers, (2) 10mm Lock Washers and (2) 10mm Hex Nuts, **(Figures 3 & 4)**. Do not tighten hardware.
4. Move along the body to the center mounting location, **(Figure 5)**. Repeat **Steps 1—3** to attach the Passenger/Right Center Mounting Bracket to the center mounting location, **(Figures 5—9)**.
5. Move to the rear mounting location, **(Figure 10)**. Select (1) 10mm Large Bolt Plate. Insert the Large Bolt Plate into the large hole in the floor panel, **(Figures 10 & 11)**. Select (2) 10mm Small Bolt Plates. Insert (1) Small Bolt Plate into the smaller hole nest to the Large Bolt Plate and the other Small Bolt Plate into the hole in the outer panel, **(Figures 10 & 11)**.

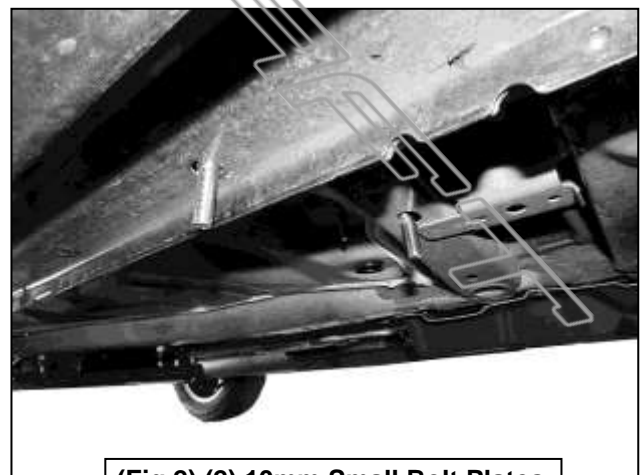
6. Select the Passenger/Right Rear Mounting Bracket. Attach the Bracket to the Large Bolt Plate and inner Small Bolt Plate with (2) 10mm Flat Washers, (2) 10mm Lock Washers and (2) 10mm Lock Washers, **(Figures 12 & 13)**. Do not tighten hardware.
7. Select the Passenger/Right Rear Support Bracket. Attach the Support Bracket to the outer Small Bolt Plate with (1) 10mm Flat Washer, (1) 10mm Lock Washer and (1) 10mm Hex Nut. Attach the Support Bracket to the Mounting Bracket with (1) 8mm Hex Bolt, (2) 8mm Flat Washers, (1) 8mm Lock Washer and (1) 8mm Hex Nut, **(Figures 14—16)**. Do not tighten hardware.
8. Select the Passenger/Right Viewpoint Running Board. Insert (6) T-Bolts into the channels in the bottom of the Running Board, (3) per channel, **(Figure 17)**. Place the Running Board onto the Mounting Brackets and line up the T-Bolts. Attach the Running Board to the Mounting Brackets with (6) 6mm Flat Washers, (6) 6mm Lock Washers and (6) 6mm Hex Nuts, **(Figure 18)**. Do not tighten hardware.
9. Level and adjust the Running Board and fully tighten all hardware.
10. Line up the factory plastic cover up to the original mounting locations. Mark where the Center Mounting Bracket is on the cover. Starting by making small cuts, remove the part of the covers that interfere with the Center Bracket. Reattach the plastic cover.
11. Repeat **Steps 1—10** to attach the Driver/Left Viewpoint Running Board.
12. Do periodic inspections to the installation to make sure that all hardware is secure and tight.

To protect your investment, Do not use any type of polish or wax that may contain abrasives that could damage the finish. Mild soap may be used also to clean Running Boards.

Passenger/Right side Installation Pictured

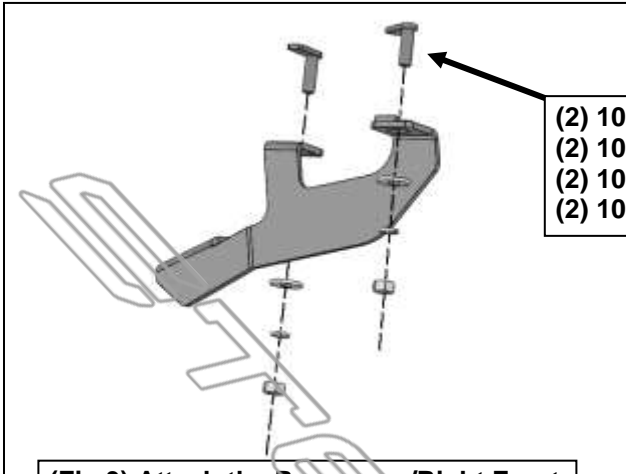


(Fig 1) Remove the plug in the outer hole. Insert (2) 10mm Small Bolt Plates into the holes shown



(Fig 2) (2) 10mm Small Bolt Plates inserted into the holes shown

Passenger/Right side Installation Pictured

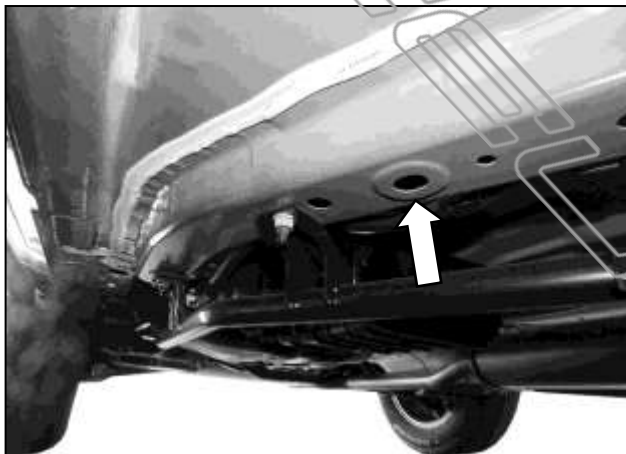


- (2) 10mm Small Bolt Plates
- (2) 10mm Flat Washers
- (2) 10mm Lock Washers
- (2) 10mm Hex Nuts

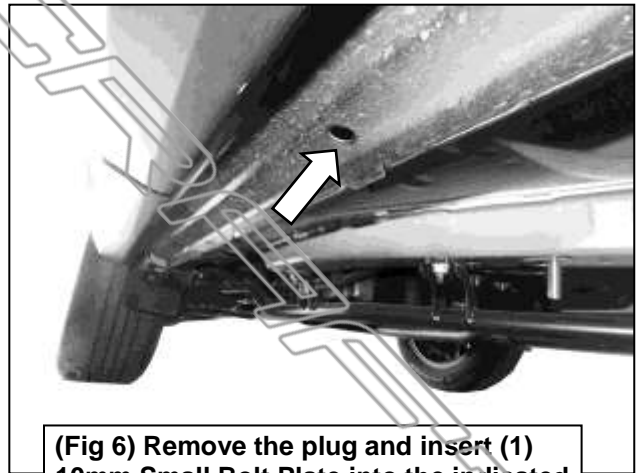
(Fig 3) Attach the Passenger/Right Front Mounting Bracket to the (2) Bolt Plates



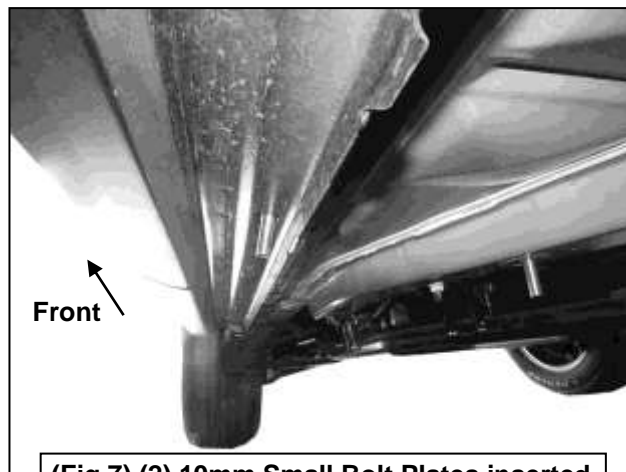
(Fig 4) Passenger/Right Front Mounting Bracket attached to the (2) Bolt Plates



(Fig 5) Insert (1) 10mm Small Bolt Plate into the indicated hole in the center mounting location

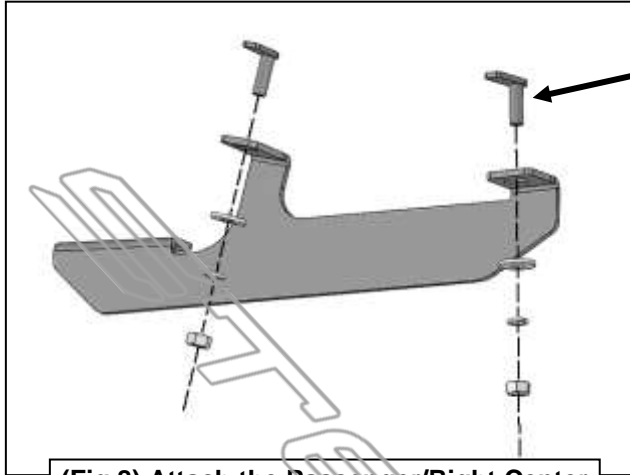


(Fig 6) Remove the plug and insert (1) 10mm Small Bolt Plate into the indicated hole in the center mounting location



(Fig 7) (2) 10mm Small Bolt Plates inserted into the center mounting location

Passenger/Right side Installation Pictured

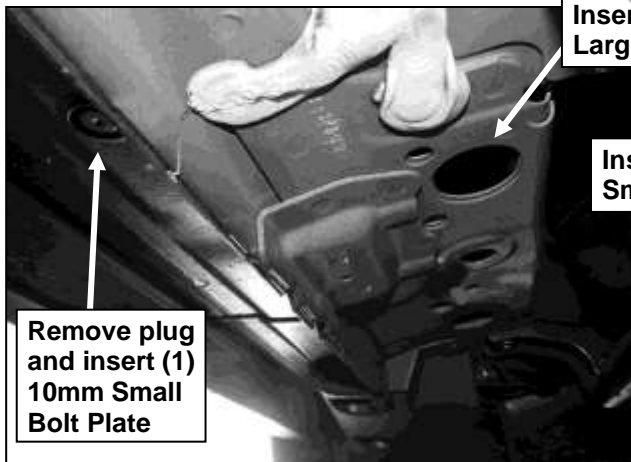


- (2) 10mm Small Bolt Plates
- (2) 10mm Flat Washers
- (2) 10mm Lock Washers
- (2) 10mm Hex Nuts

(Fig 8) Attach the Passenger/Right Center Mounting Bracket to the (2) Bolt Plates



(Fig 9) Passenger/Right Center Mounting Bracket attached to the (2) Bolt Plates

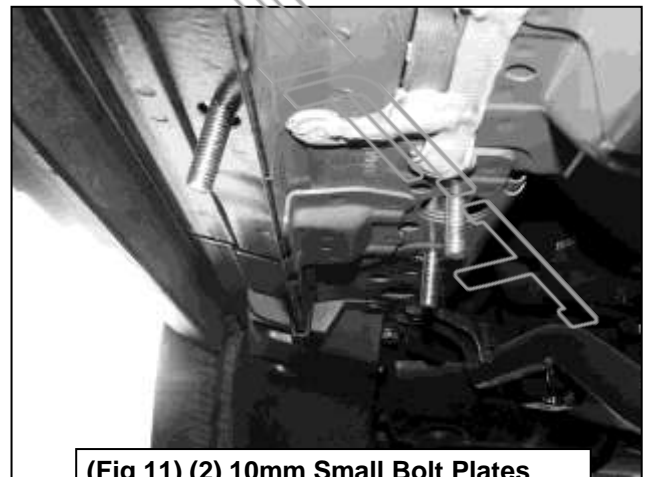


Insert (1) 10mm Large Bolt Plate

Insert (1) 10mm Small Bolt Plate

Remove plug and insert (1) 10mm Small Bolt Plate

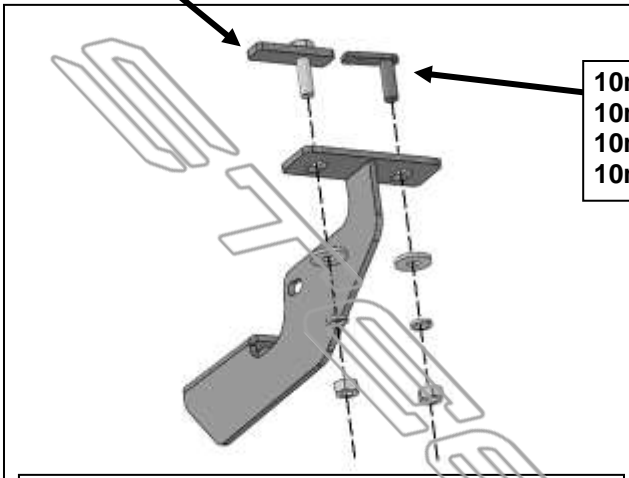
(Fig 10) Insert (1) 10mm Large Bolt Plate into the large hole and (2) 10mm Small Bolt Plates into the small hole in the floor panel and outer panel



(Fig 11) (2) 10mm Small Bolt Plates and (1) 10mm Large Bolt Plate inserted into the rear mounting

Passenger/Right side Installation Pictured

10mm Large Bolt Plate
10mm Flat Washer
10mm Lock Washer
10mm Hex Nut



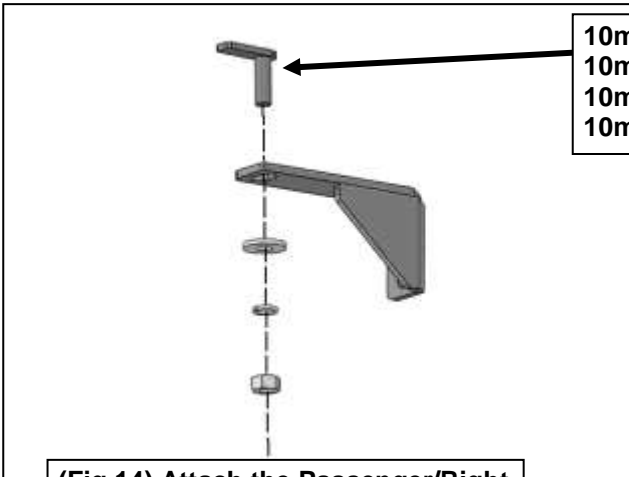
10mm Small Bolt Plate
10mm Flat Washer
10mm Lock Washer
10mm Hex Nut

(Fig 12) Attach the Passenger/Right Rear Mounting Bracket to the inner (1) 10mm Small Bolt Plate and the 10mm Large Bolt Plate



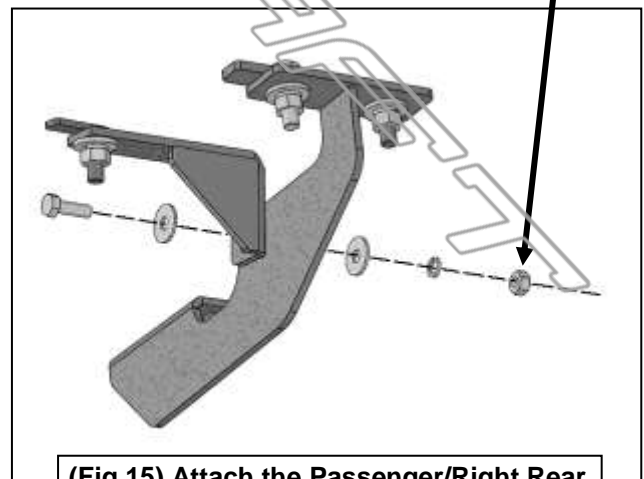
(Fig 13) Passenger/Right Rear Mounting Bracket attached to the (2) Bolt Plates

10mm Small Bolt Plate
10mm Flat Washer
10mm Lock Washer
10mm Hex Nut



(Fig 14) Attach the Passenger/Right Rear Support Bracket to the outer (1) 10mm Small Bolt Plate

8mm Hex Bolt
(2) 8mm Flat Washers
8mm Lock Washer
8mm Hex Nut

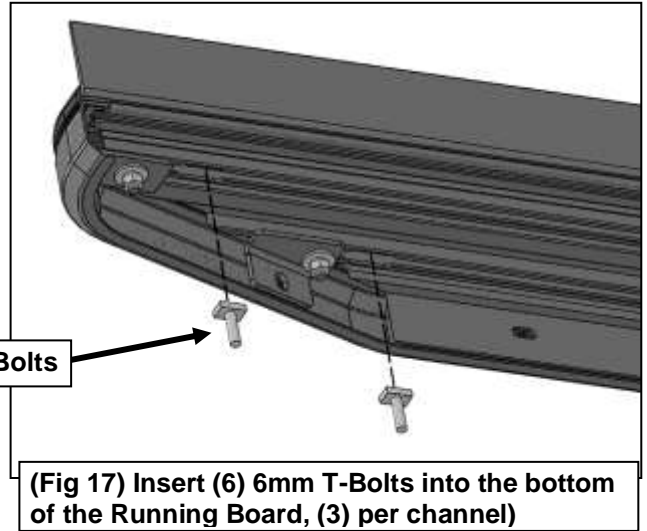


(Fig 15) Attach the Passenger/Right Rear Support Bracket to the Mounting Bracket

Passenger/Right side Installation Pictured

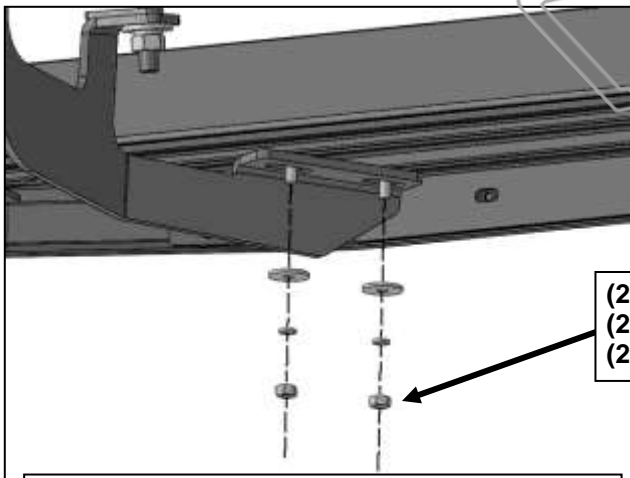


(Fig 16) Passenger/Right Rear Support Bracket attached to the Mounting Bracket and vehicle



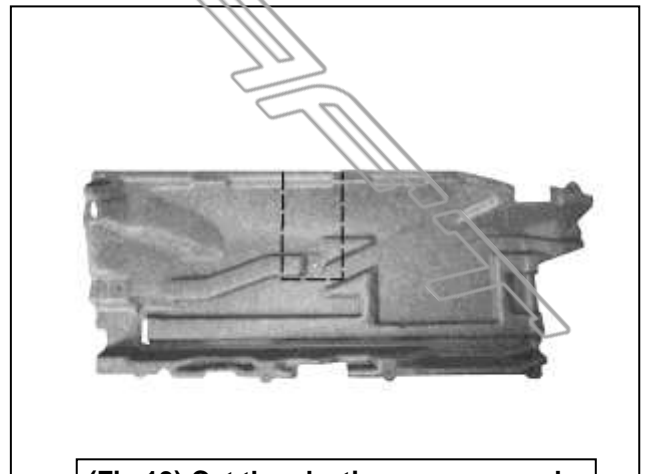
6mm T-Bolts

(Fig 17) Insert (6) 6mm T-Bolts into the bottom of the Running Board, (3) per channel)



(2) 6mm Flat Washers
(2) 6mm Lock Washers
(2) 6mm Hex Nuts

(Fig 18) Attach the Passenger/Right Running Board to the (3) Mounting Brackets



(Fig 19) Cut the plastic covers enough to allow the Center Mounting Brackets to mount against the vehicle