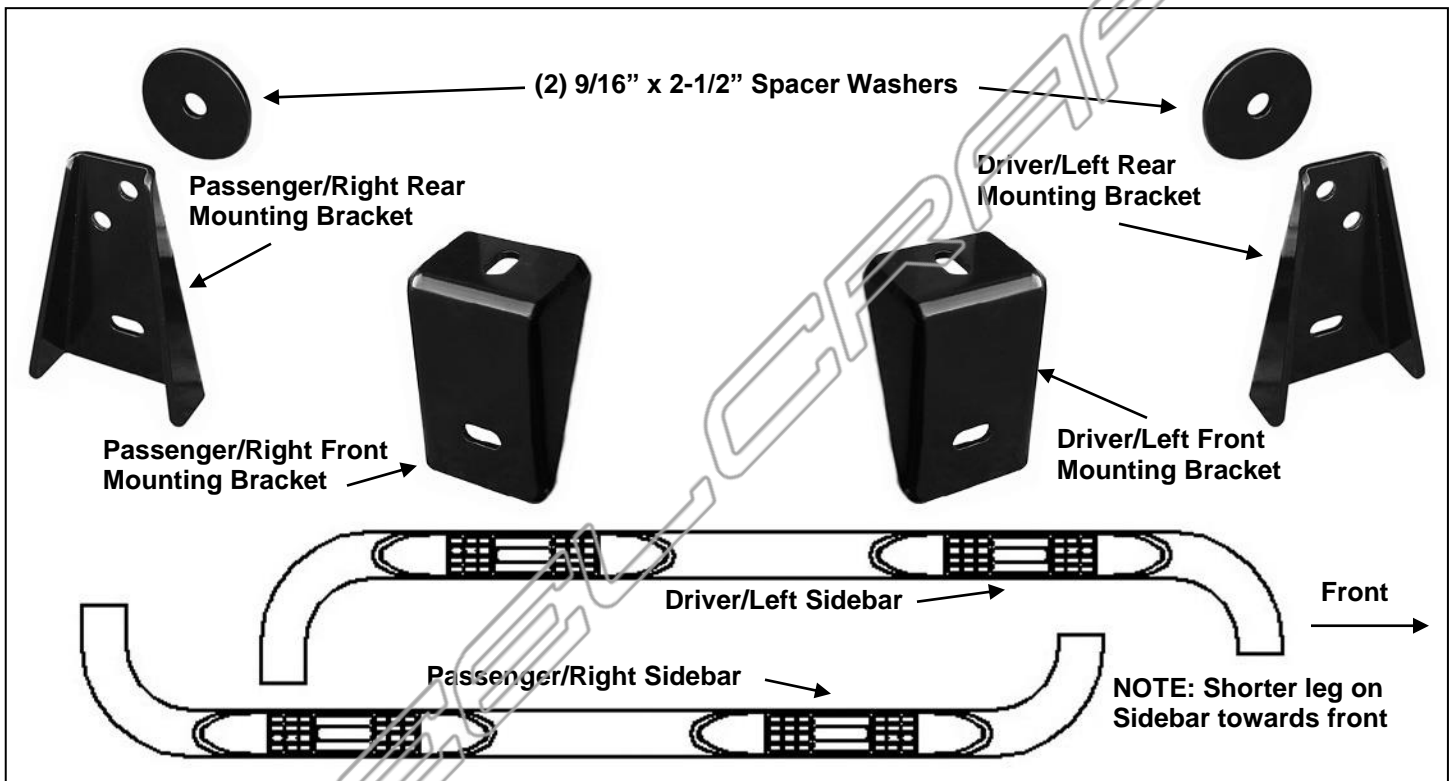


**3" ROUND SIDEBARS  
1992-1999 CHEVY/GMC SUBURBAN  
EXCLUDES 2500 FOUR WHEEL DRIVE**

**PARTS LIST:**

1	Driver/Left Sidebar	2	9/16" x 2-1/2" OD x 3/16" Flat Spacer Washers
1	Passenger/Right Sidebar	4	1/2" x 2" Hex Bolts
1	Driver/Left side front Mounting Bracket	6	1/2" Lock Washers
1	Passenger/Right side front Mounting Bracket	4	1/2" SAE Flat Washers
1	Driver/Left side rear Mounting Bracket	2	12-1.75mm x 120mm x 35mm Hex Bolts
1	Passenger/Right side rear Mounting Bracket	2	12mm x 37mm x 3mm Large Flat Washers



**PROCEDURE:**

- REMOVE CONTENTS FROM BOX. VERIFY ALL PARTS ARE PRESENT. READ INSTRUCTIONS CAREFULLY BEFORE STARTING INSTALLATION. MUST REMOVE FACTORY RUNNING BOARDS IF EQUIPPED.**
- From under the driver side front of the vehicle, temporarily remove the front body mount bolt, steel washer (if equipped), and rubber bushing, **(Figure 1)**. Do not discard hardware.
- Select the driver side front Mounting Bracket. Insert the factory bolt through the Mounting Bracket, factory steel washer, (if equipped), and rubber bushing. Bolt the Mounting Bracket up in position against the body mount but do not tighten at this time, **(Figure 2)**. **NOTE:** On some model/years, the factory body mount bolt may not be long enough to go through the front Bracket and up into the body mount. Replace the factory bolt with the included 12mm x 120mm Hex Bolt, 12mm Lock Washer and 12mm Large Flat Washer. Do not fully tighten hardware at this time.

**IMPORTANT:** To prevent unnecessary noise, adjust the position of the front Mounting Brackets so that the Brackets do not come in contact with the steel body mount bracket. If necessary, the front Brackets can be swapped driver side to passenger side to clear the gusset on the Bracket.

- Move toward the rear of the vehicle. Remove the factory hex nut from the leaf spring bolt, **(Figure 3)**. **IMPORTANT:** Do not remove the hex bolt, only remove the outer nut.
- Slide (1) Large Spacer Washer over the hex bolt, **(Figures 4A & 4B)**. Select the driver side rear Mounting Bracket, **(Figure 5)**. Slide the rear Bracket over the end of the hex bolt and up against the Spacer. Reuse the factory hex nut to attach the Bracket to the hex bolt, **(Figure 6)**. Leave hardware

**3" ROUND SIDEBARS  
1992-1999 CHEVY/GMC SUBURBAN  
EXCLUDES 2500 FOUR WHEEL DRIVE**

loose at this time. **NOTE:** Use the top mounting hole in the Bracket for 2WD models and use the 2<sup>nd</sup> or lower hole for 4WD models.

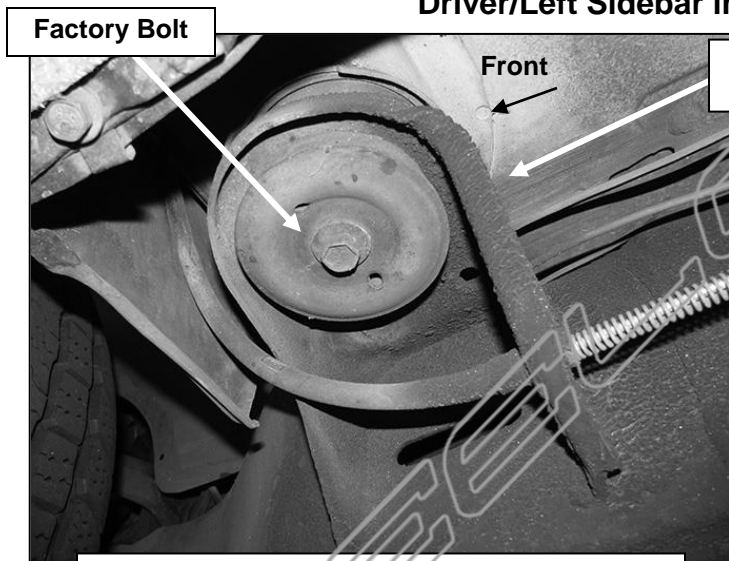
6. Select the driver Sidebar. Attach the Sidebar to the Mounting Brackets with the included (2) 1/2" x 2" Hex Bolts, (2) 1/2" Lock Washers and (2) 1/2" Flat Washers, (**Figures 2 & 7**). Snug but do not tighten hardware at this time.
7. Level and adjust the Sidebar, check the Mounting Brackets for clearance between the steel body mount brackets and rear spring mount. Once satisfied with fit, tighten all hardware.
8. Do periodic inspections to the installation to make sure that all hardware is secure and tight.

**To protect your investment**, wax this product after installing. Regular waxing is recommended to add a protective layer over the finish. Do not use any type of polish or wax that may contain abrasives that could damage the finish.

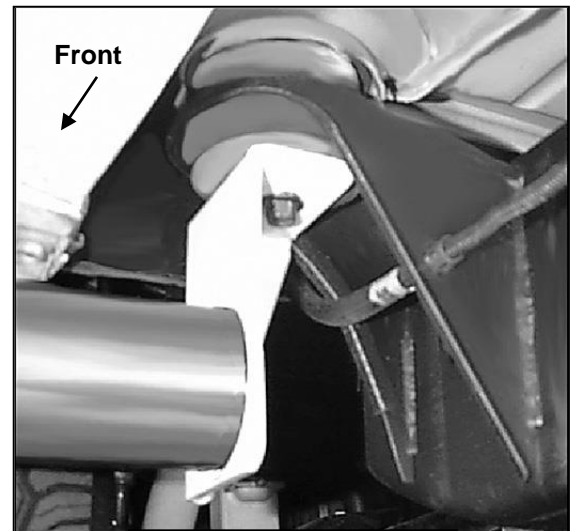
**For stainless steel:** Aluminum polish may be used to polish small scratches and scuffs on the finish. Mild soap may be used also to clean the Sidebar.

**For gloss black finishes:** Mild soap may be used to clean the Sidebar.

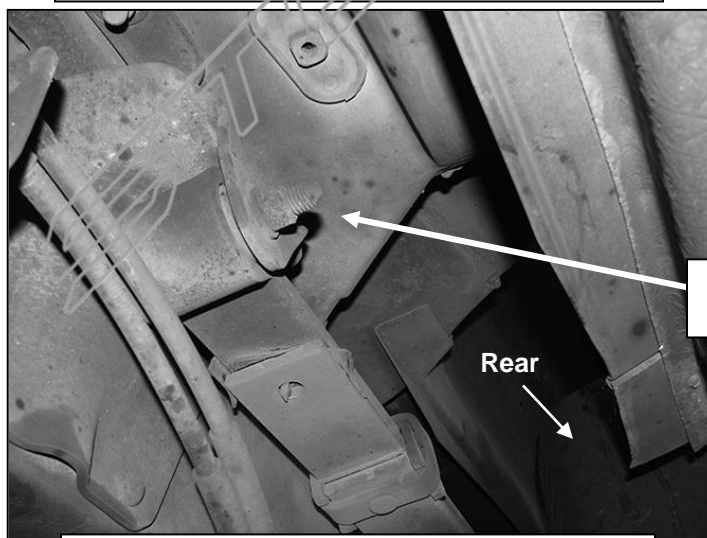
**Driver/Left Sidebar installation pictured**



**(Fig 1) Driver Side Front Mounting Location**



**Fig 2) Driver/left Front  
pictured with Sidebar**



**Fig 3) Driver/left rear leaf spring pivot bolt**

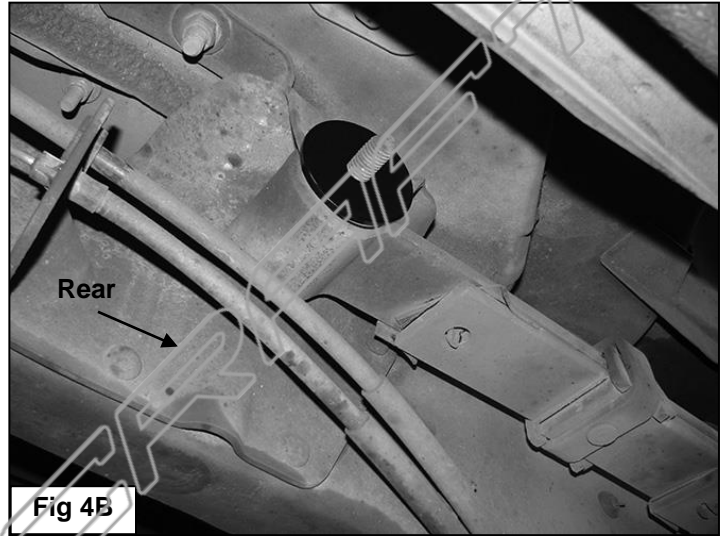
**Remove factory hex nut  
only. Do not remove bolt**

**3" ROUND SIDEBARS  
1992-1999 CHEVY/GMC SUBURBAN  
EXCLUDES 2500 FOUR WHEEL DRIVE**

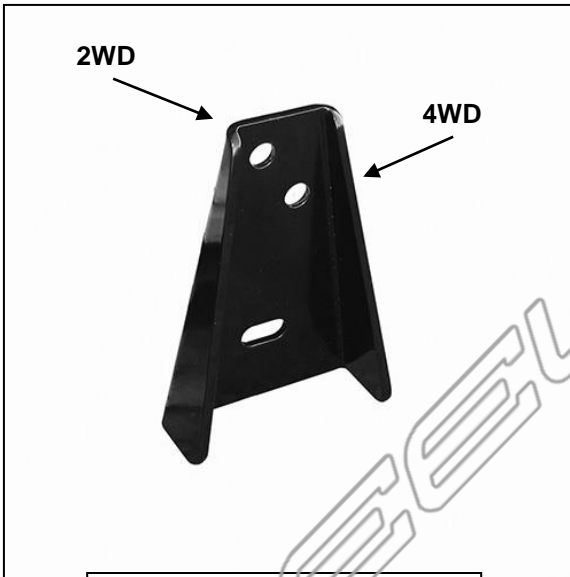
**Driver/Left Sidebar installation pictured**



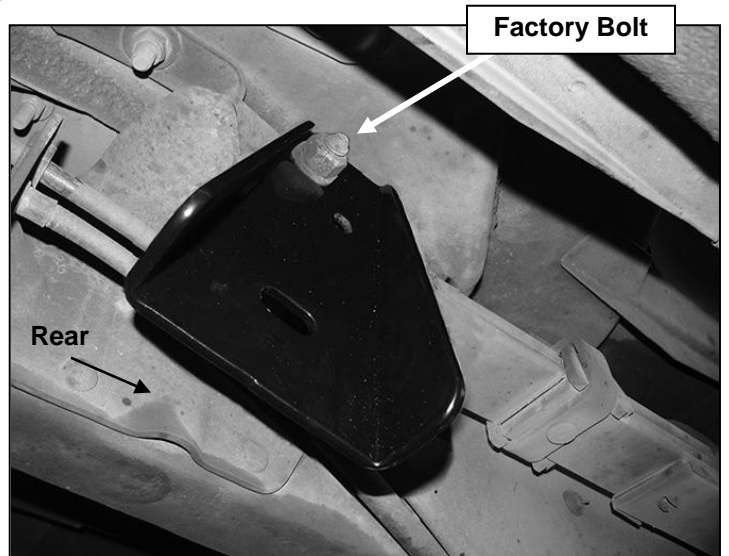
**(Fig 4A) Spacer-washer for rear  
Bracket pictured**



**Fig 4B**

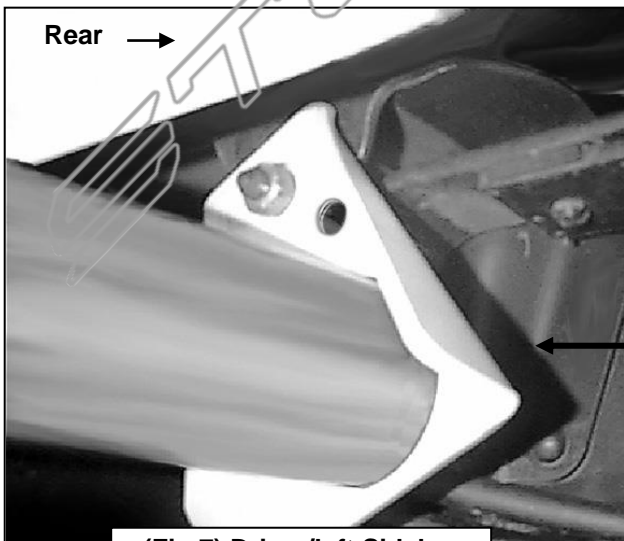


**Fig 5) Driver/left rear bracket**



**Factory Bolt**

**(Fig 6 Driver/left Rear Mounting Bracket**



**(Fig 7) Driver/left Sidebar**

- 1/2" x 2" Hex Bolt**
- 1/2" Lock Washer**
- 1/2" Flat Washer**