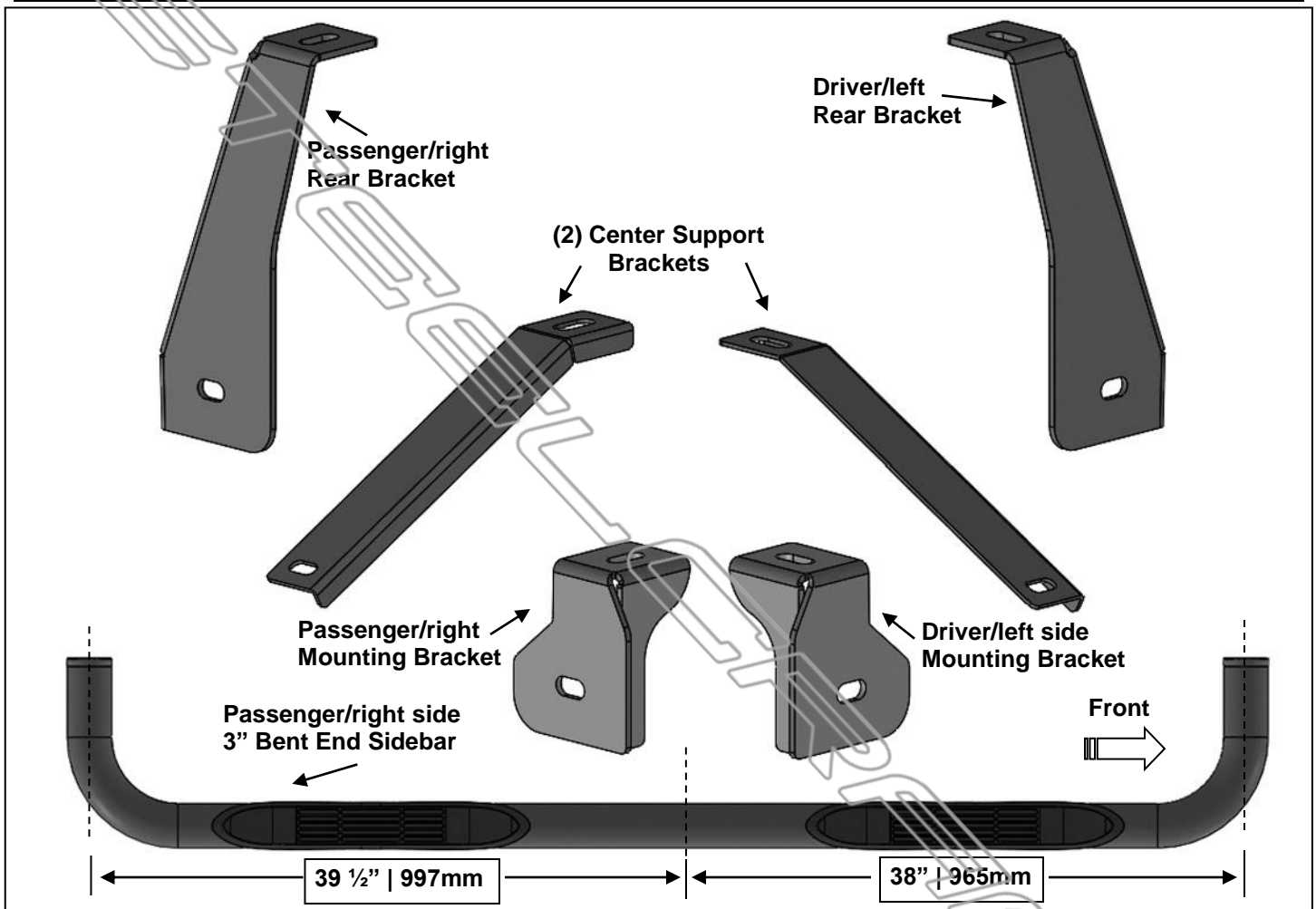


**3" OVAL BENT END SIDEBARS
2019 CHEVY SILVERADO 1500 DOUBLE CAB
EXCLUDES BODY LIFT KIT**

PARTS LIST:

1	Driver/left side 3" Oval Bent End Sidebar	1	Passenger/right Rear Mounting Bracket
1	Passenger/right side 3" Oval Bent End Sidebar	4	1/2" x 2" Hex Bolts
1	Driver/left Front Mounting Bracket	4	1/2" Lock Washers
1	Passenger/right Front Mounting Bracket	4	1/2" x 1-1/2" OD x 1/8" Large Flat Washers
2	Center Support Brackets	2	8-1.25mm x 25mm Combo Bolts
1	Driver/left Rear Mounting Bracket		



PROCEDURE:

REMOVE CONTENTS FROM BOX. VERIFY ALL PARTS ARE PRESENT. READ INSTRUCTIONS CAREFULLY BEFORE STARTING INSTALLATION. ASSISTANCE IS RECOMMENDED.

1. Start the installation under the Passenger/right side of the vehicle. Locate the front body mount, **(Figure 1)**. Remove the front body bolt.
2. Select the Passenger/right side Front Bracket, **(Figure 2)**. Line up the upper slot on the Bracket with the body bolt hole. Reuse the factory body bolt to attach the Bracket to the top of the body mount, **(Figure 2)**.
3. Move to the center mounting location, **(Figure 3)**. Repeat **Steps 1 & 2** to install (1) Center Support Bracket to the center body mount, **(Figure 4)**.
4. Move to the rear mounting location, **(Figure 5)**. Repeat **Steps 1 & 2** to install the Rear Mounting Bracket to the rear body mount, **(Figure 6)**.
5. Carefully unwrap and select the Passenger/right Sidebar. Use the illustration above to help identify the correct Sidebar. With assistance, line up the front end of the tube with the front

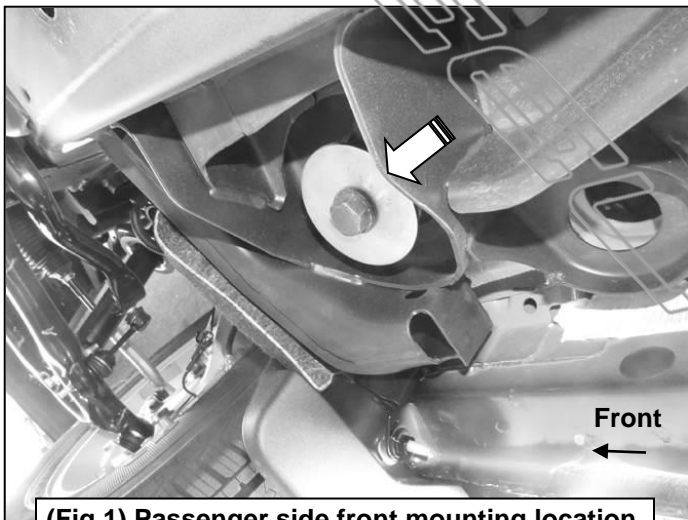
**3" OVAL BENT END SIDEBARS
2019 CHEVY SILVERADO 1500 DOUBLE CAB
EXCLUDES BODY LIFT KIT**

Bracket slot, **(Figure 7)**. Use (1) 1/2" Hex Bolt, (1) 1/2" Lock Washer and (1) 1/2" Flat Washer to attach the front end of the Sidebar tube to the Front Bracket, **(Figure 8)**. Snug but do not tighten hardware at this time.

6. Repeat **Step 5** to attach the rear end of the Sidebar to the Rear Bracket, **(Figures 9 & 10)**.
7. Attach the Center Support Bracket to the Sidebar using (1) 8mm Combo Bolt, **(Figures 11 & 12)**. Do not tighten hardware at this time.
8. Level and adjust the Sidebar as necessary and fully tighten all hardware.
9. Repeat **Steps 1—8** for Driver/left Sidebar installation.
10. Do periodic inspections to the installation to make sure that all hardware is secure and tight.

To protect your investment, wax this product after installing. Regular waxing is recommended to add a protective layer over the finish. Do not use any type of polish or wax that may contain abrasives that could damage the finish. Mild soap may be used also to clean the Sidebar.

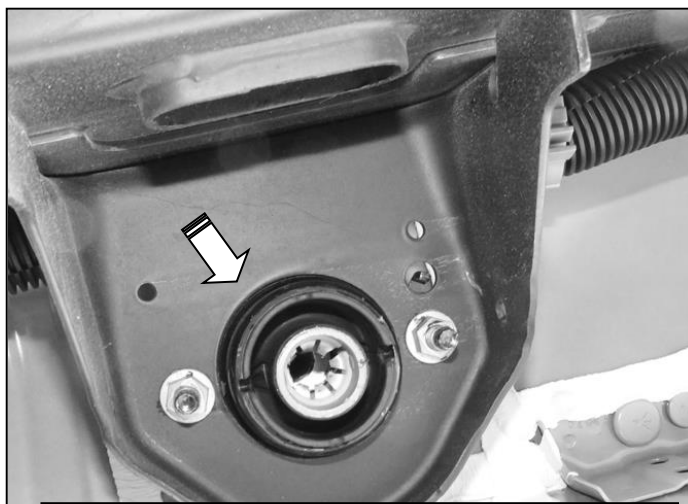
Passenger/right Side Installation Pictured



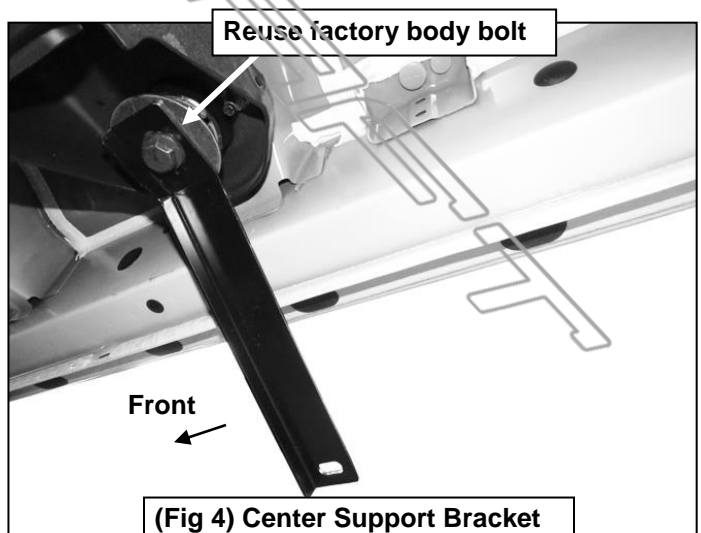
(Fig 1) Passenger side front mounting location



(Fig 2) Passenger side Front Mounting Bracket attached to front body mount



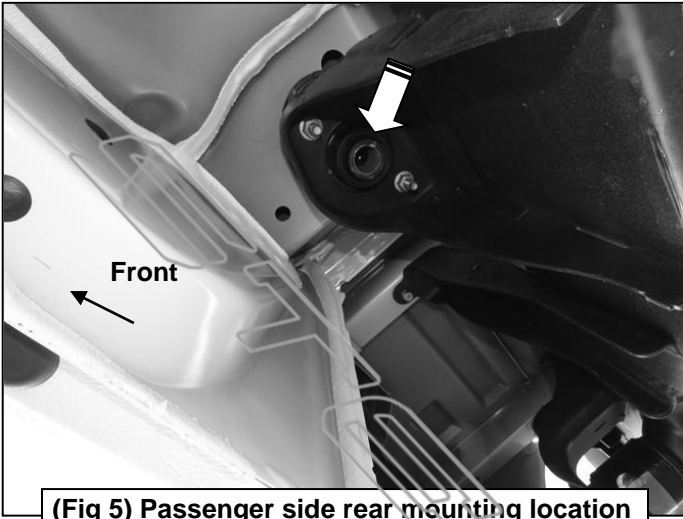
(Fig 3) Passenger side center mounting location



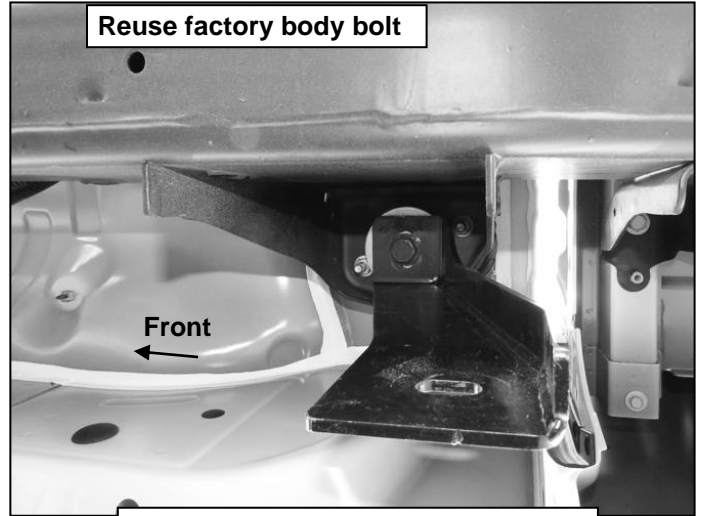
(Fig 4) Center Support Bracket attached to center body mount

**3" OVAL BENT END SIDEBARS
2019 CHEVY SILVERADO 1500 DOUBLE CAB
EXCLUDES BODY LIFT KIT**

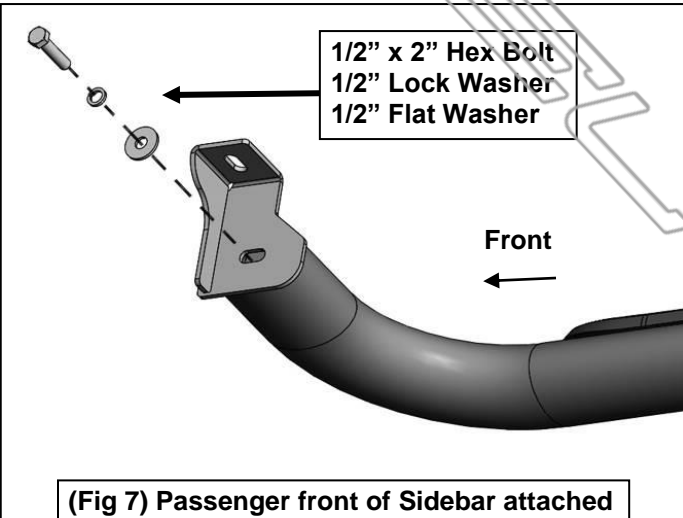
Passenger/right Side Installation Pictured



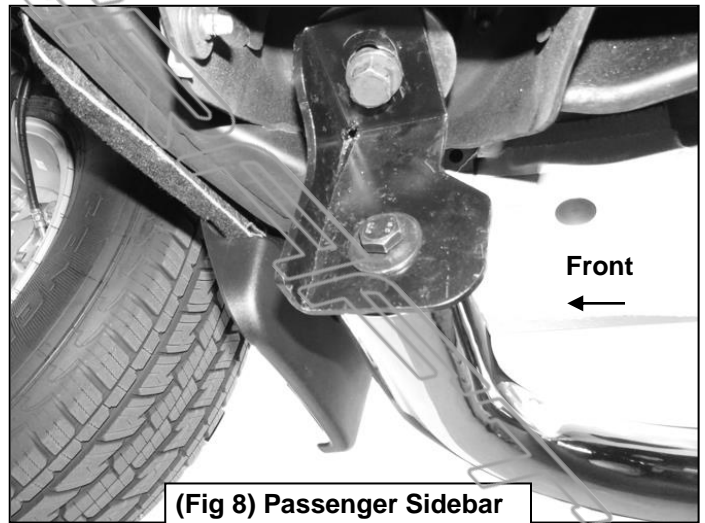
(Fig 5) Passenger side rear mounting location



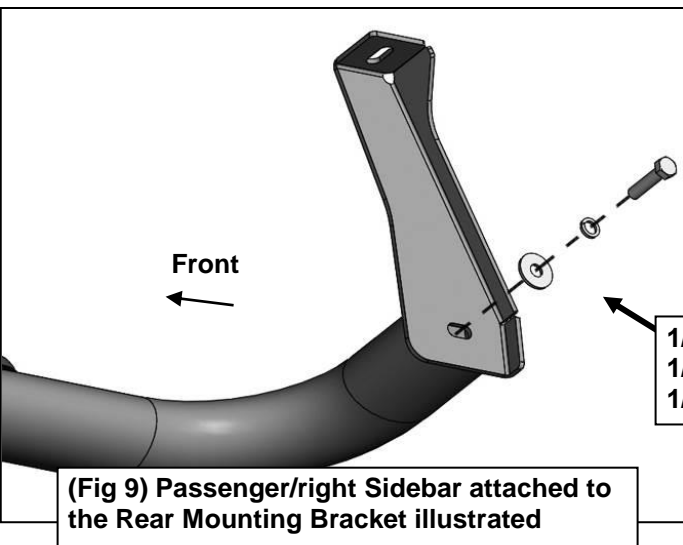
(Fig 6) Passenger side Rear Bracket attached to the rear body mount



(Fig 7) Passenger front of Sidebar attached to Front Mounting Bracket illustrated



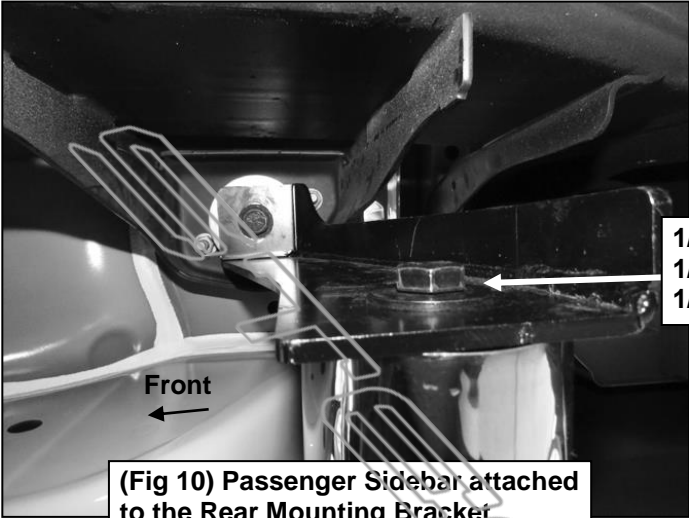
(Fig 8) Passenger Sidebar attached to Front Bracket



(Fig 9) Passenger/right Sidebar attached to the Rear Mounting Bracket illustrated

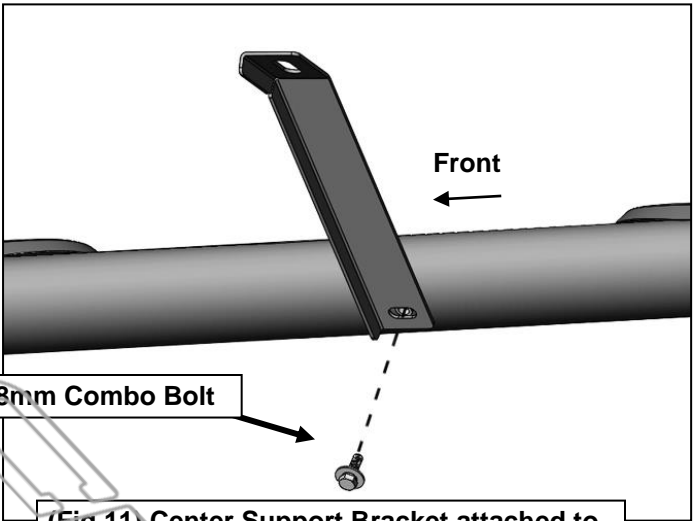
**3" OVAL BENT END SIDEBARS
2019 CHEVY SILVERADO 1500 DOUBLE CAB
EXCLUDES BODY LIFT KIT**

Passenger/right Side Installation Pictured



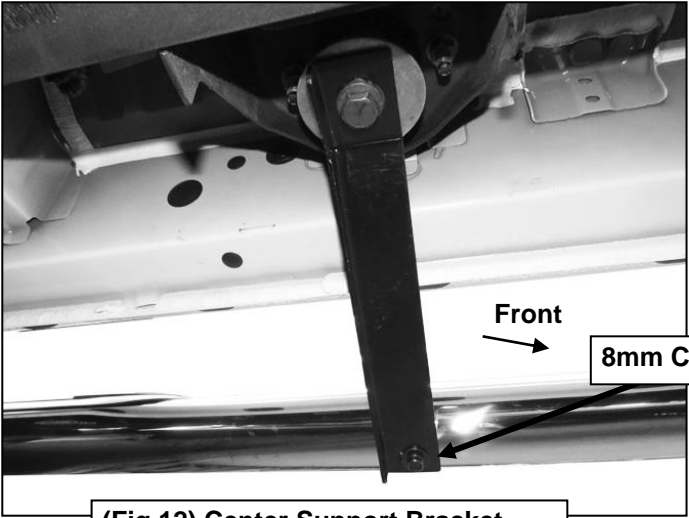
**1/2" x 2" Hex Bolt
1/2" Lock Washer
1/2" Flat Washer**

(Fig 10) Passenger Sidebar attached to the Rear Mounting Bracket



8mm Combo Bolt

(Fig 11) Center Support Bracket attached to Passenger/right Sidebar illustrated



8mm Combo Bolt

(Fig 12) Center Support Bracket attached to Passenger Sidebar