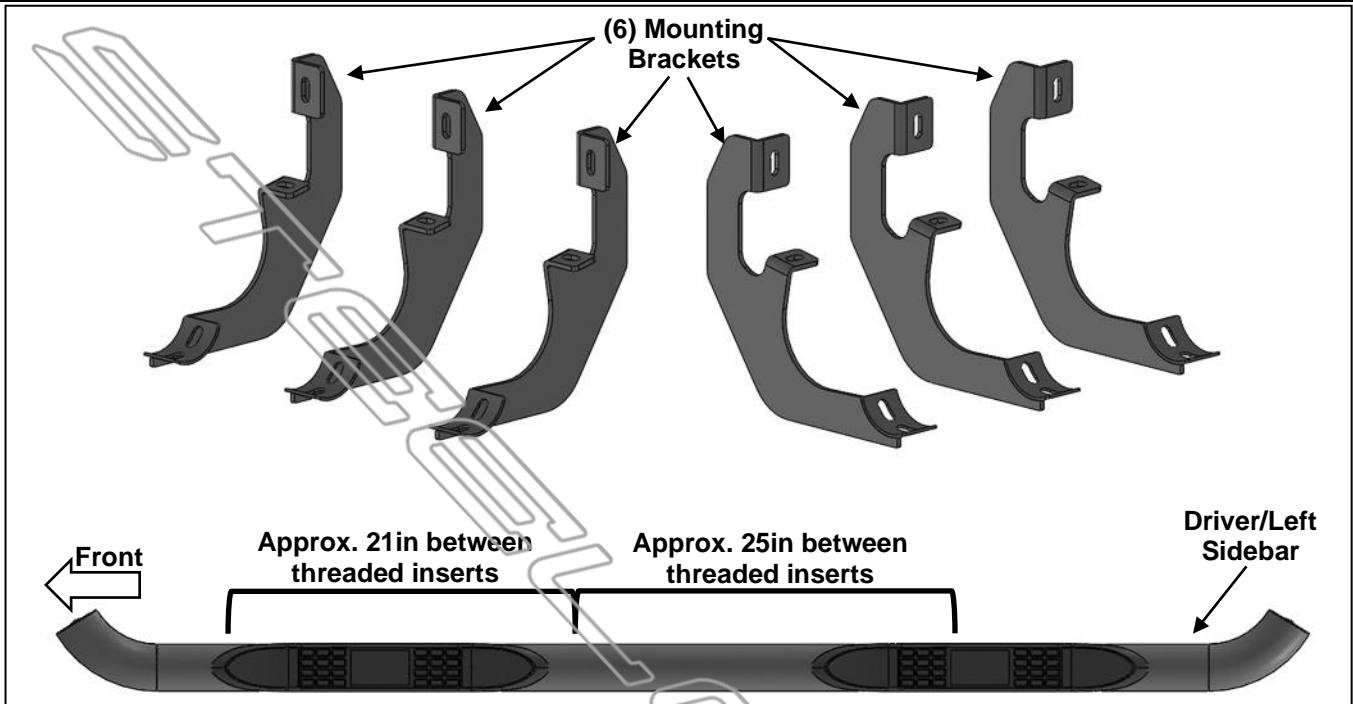


**3INCH OVAL BENT SIDEBARS
21-23 CHEVY TAHOE**

PARTS LIST:

1	Driver/Left Sidebar	12	8mm x 25mm Combo Bolts
1	Passenger/Right Sidebar	12	8mm Lock Washers
6	Mounting Brackets	12	8mm x 24mm OD x 2mm Flat Washers
12	8mm x 30mm Hex Bolts		



PROCEDURE:

REMOVE CONTENTS FROM BOX. VERIFY ALL PARTS ARE PRESENT. READ INSTRUCTIONS CAREFULLY BEFORE STARTING INSTALLATION. ASSISTANCE IS RECOMMENDED.

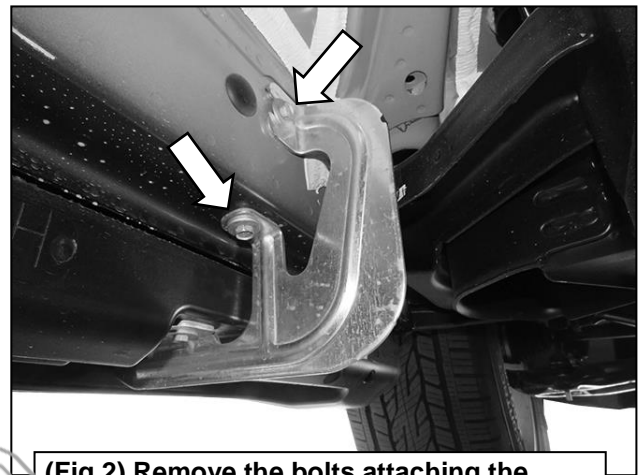
1. Start the installation under the Driver/Left side of the vehicle. Locate and remove all hardware attaching the running board and factory brackets to the rocker panel. **(Figures 1 & 2).**
2. Select (1) Mounting Bracket. Attach the Mounting Bracket to the factory threaded holes with (2) 8mm Hex Bolts, (2) 8mm Lock Washers and (2) 8mm Flat Washers, **(Figure 3).** Do not tighten hardware.
3. Move along the body to the next mounting location. Repeat **Steps 1–3** to attach a Mounting Bracket to the center and rear mounting locations.
4. Select the Driver/Left Sidebar. Place the Sidebar onto the cradles on the Mounting Brackets. **IMPORTANT:** Do not rotate or slide front to back or damage to the finish may result. Attach the Sidebar to the Mounting Brackets with (6) 8mm Combo Bolts, **(Figure 4).**
5. Level and adjust the Sidebar and fully tighten all hardware.
6. Repeat **Steps 1–5** to attach the Passenger/Right Sidebar.
7. Do periodic inspections to the installation to make sure that all hardware is secure and tight.

To protect your investment, Do not use any type of polish or wax that may contain abrasives that could damage the finish. Mild soap may be used also to clean Sidebars.

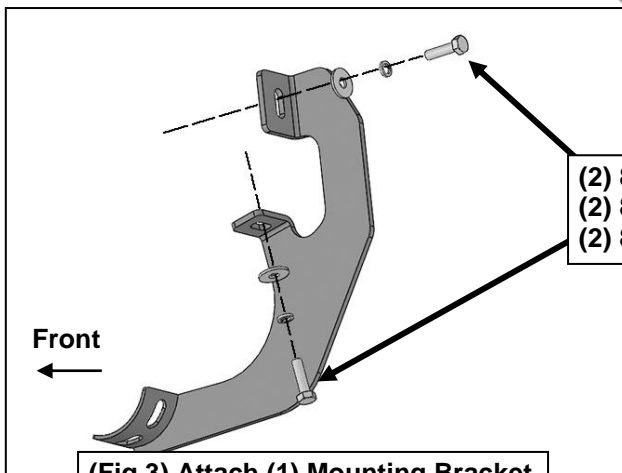
Driver/Left side Installation Pictured



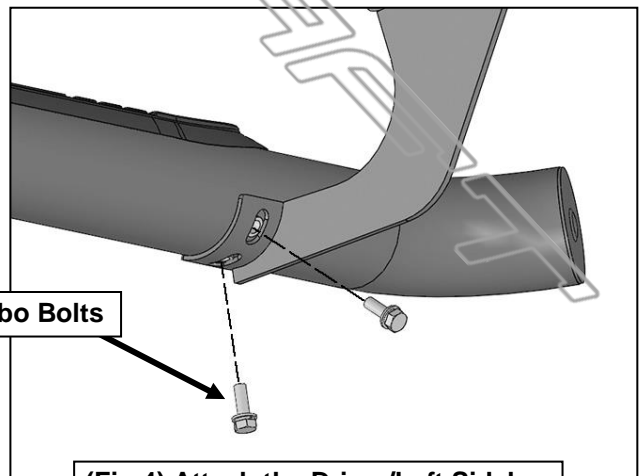
(Fig 1) Remove the bolts attaching the factory running board to the floor panel



(Fig 2) Remove the bolts attaching the running board brackets to the rocker panel



(Fig 3) Attach (1) Mounting Bracket to the Driver/Left front location



(Fig 4) Attach the Driver/Left Sidebar to the (3) Mounting Brackets