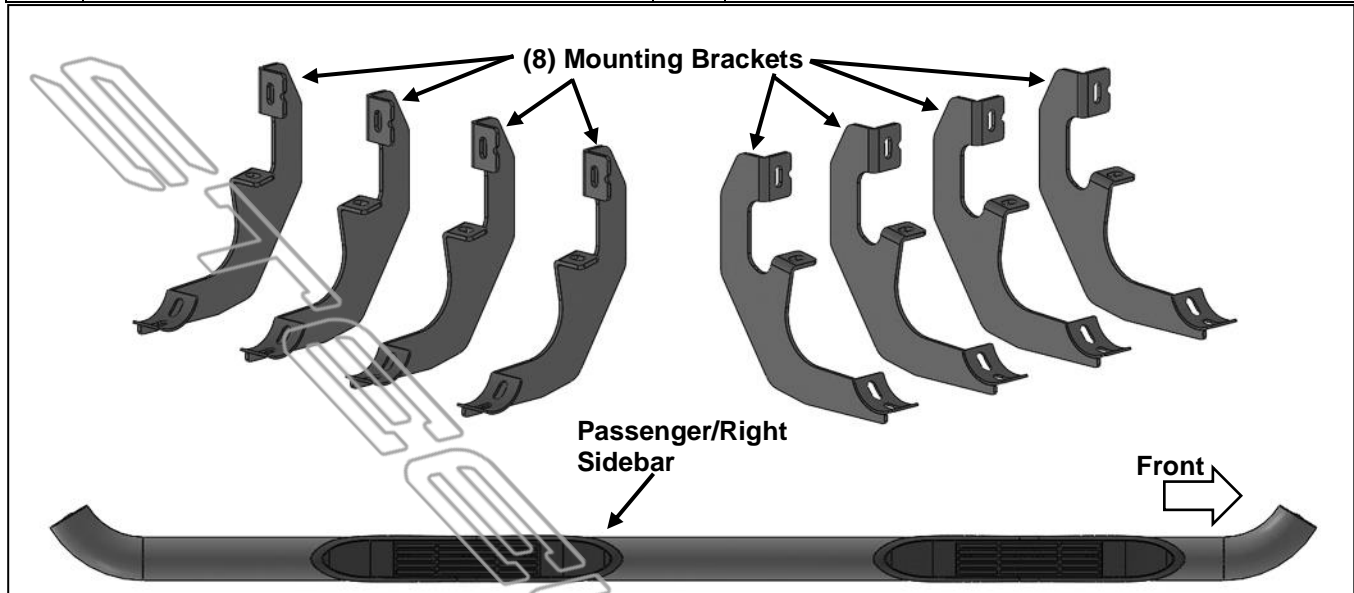


**3INCH SIDEBARS
21-23 CHEVY SUBURBAN**

PARTS LIST:

1	Driver/Left Sidebar	16	8mm x 25mm Combo Bolts
1	Passenger/Right Sidebar	16	8mm Lock Washers
8	Mounting Brackets	16	8mm x 24mm OD x 2mm Flat Washers
16	8mm x 30mm Hex Bolts		



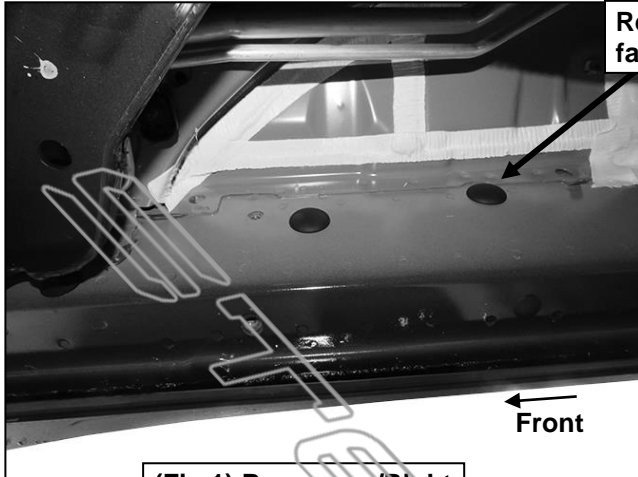
PROCEDURE:

- 1. REMOVE CONTENTS FROM BOX. VERIFY ALL PARTS ARE PRESENT. READ INSTRUCTIONS CAREFULLY. USE ILLUSTRATION TO IDENTIFY BRACKETS AND SIDEBARS.**
- Starting on the Passenger/Right front of the vehicle, remove the plastic plugs covering the threaded holes in the body panel, if equipped, **(Figure 1)**. Select (1) Mounting Bracket. Attach the Bracket to the vehicle with (2) 8mm Hex Bolts, (2) 8mm Lock Washers and (2) 8mm Flat Washers, **(Figures 2 & 3)**. Do not tighten hardware.
- Repeat **Step 2** to install (3) Mounting Brackets to the 2nd, 3rd and rear mounting locations, **(Figures 4—6)**. Do not tighten hardware.
- Carefully unwrap the Passenger/Right Sidebar. Place the Sidebar onto the Mounting Brackets, (do not slide or rotate or damage to the finish to the Sidebar may result). Attach the Sidebar to the Mounting Brackets with (8) 8mm Combo Bolts, **(Figure 7)**. Do not tighten hardware.
- Level and adjust the Sidebar and tighten all hardware.
- Repeat **Steps 2—5** to attach the Driver/Left Sidebar.
- Do periodic inspections to the installation to make sure that all hardware is secure and tight.

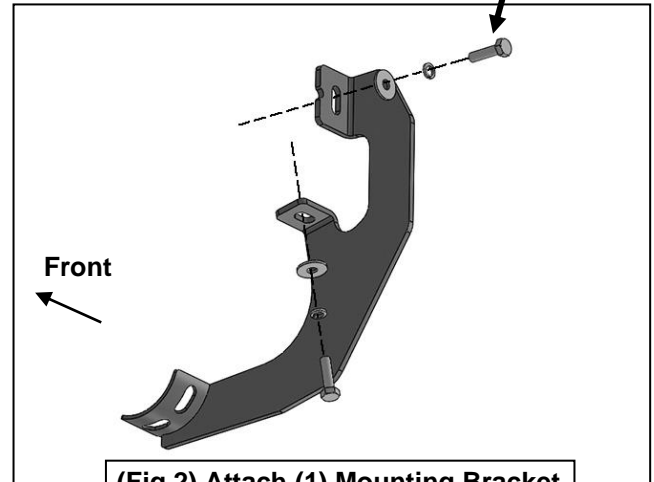
To protect your investment, Do not use any type of polish or wax that may contain abrasives that could damage the finish. Mild soap may be used to clean the Sidebars.

**3INCH SIDEBARS
21-23 CHEVY SUBURBAN**

Passenger/Right Side Installation Pictured



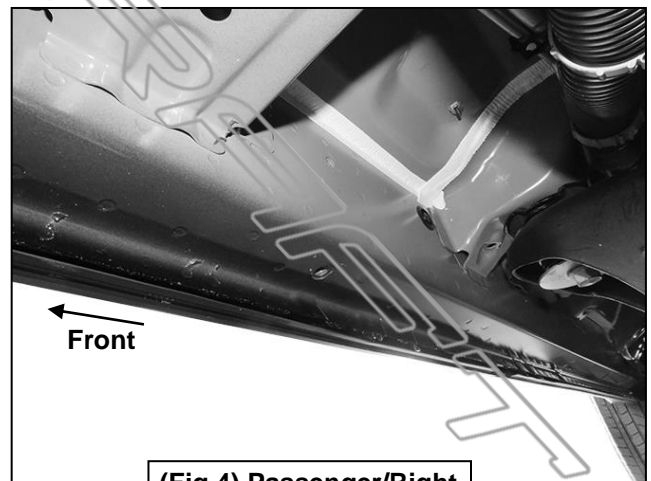
(Fig 1) Passenger/Right front mounting location.



(Fig 2) Attach (1) Mounting Bracket to the front mounting location



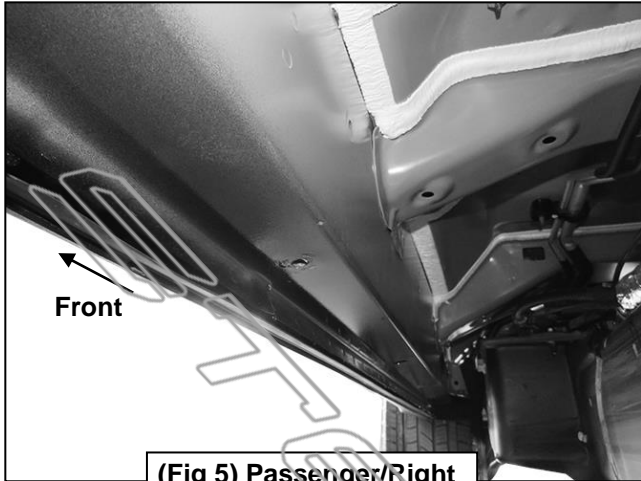
(Fig 3) (1) Mounting Bracket attached to the front mounting location



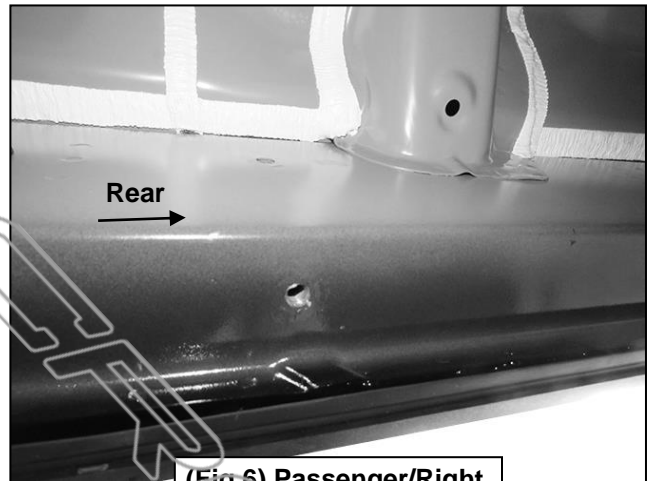
(Fig 4) Passenger/Right 2nd mounting location

- (2) 8mm Hex Bolts
- (2) 8mm Lock Washers
- (2) 8mm Flat Washers

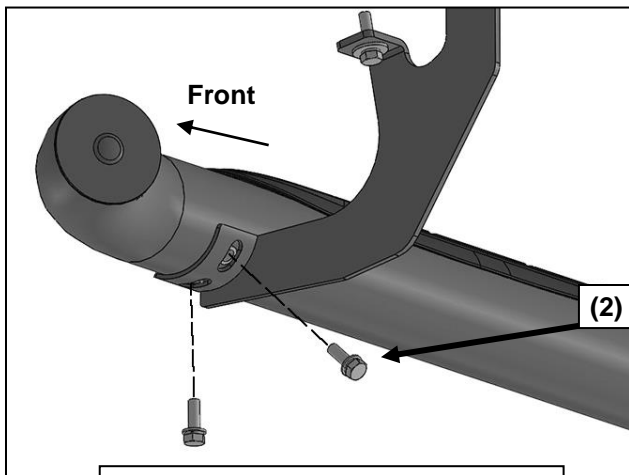
Passenger/Right Side Installation Pictured



(Fig 5) Passenger/Right
3rd mounting location



(Fig 6) Passenger/Right
rear mounting location



(2) 8mm Combo Bolts

(Fig 7) Attach the Passenger/Right
Sidebar to the Mounting Brackets