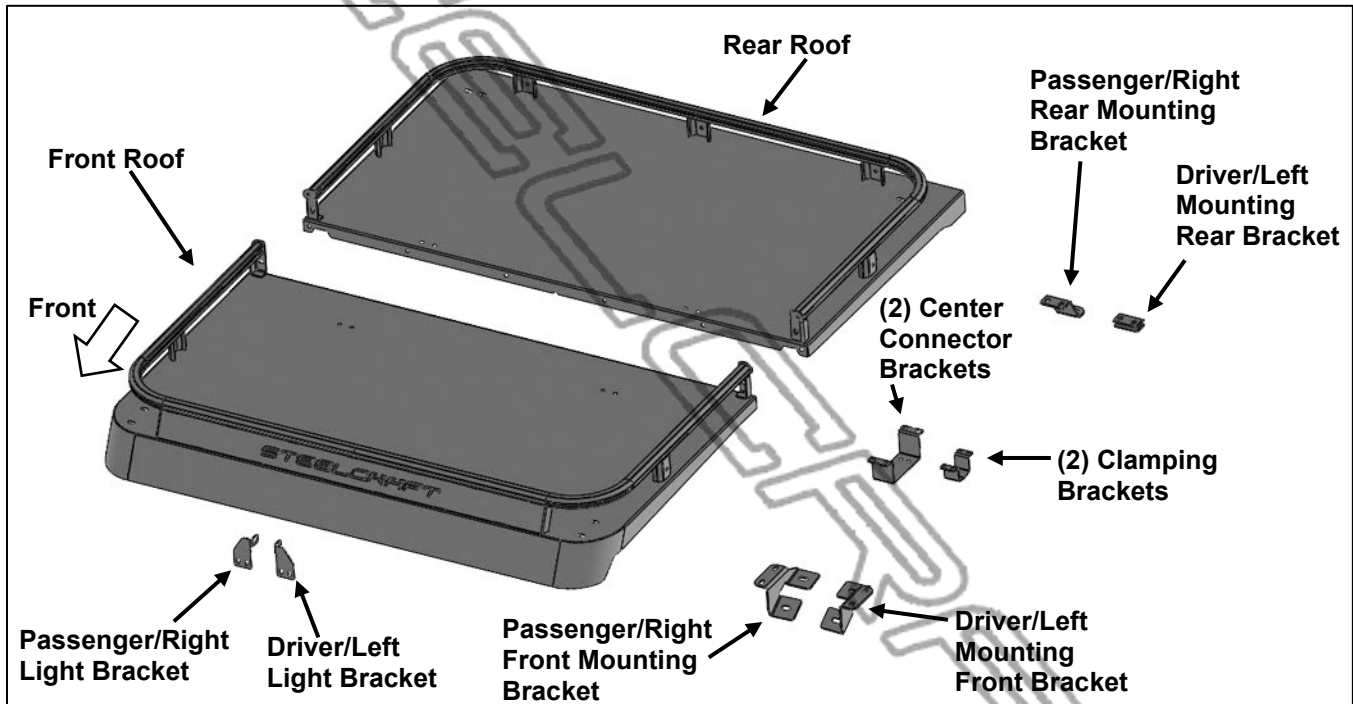


**STEELCRAFT UTV ROOF
2018-24 POLARIS RANGER CREW CAB**

PARTS LIST:

1	Front Roof	2	Clamping Bracket Foam Spacers
1	Rear Roof	4	10mm x 40mm Hex Bolts
1	Driver/Left Front Mounting Bracket	8	10mm x 27mm OD x 3mm Flat Washers
1	Passenger/Right Front Mounting Bracket	4	10mm Spacer Washers
1	Driver/Left Rear Mounting Bracket	4	10mm Lock Washers
1	Passenger/Right Rear Mounting Bracket	4	10mm Hex Nuts
2	Center Connector Brackets	28	8mm x 25mm Button Head Bolts
2	Center Clamping Brackets	4	8mm x 16mm Hex Bolts
2	Driver/Left Light Brackets	60	8mm x 22mm OD x 2mm Flat Washers
2	Passenger/Right Light Brackets	32	8mm Lock Washers
1	Driver/Left 4mm Thick Foam Seam	28	8mm Hex Nuts
1	Center 4mm Thick Foam Seam	8	6mm x 20mm Button Head Bolts
1	Passenger/Right 4mm Thick Foam Seam	8	6mm x 20mm T-Bolts
2	Front Bracket Foam Spacers	24	6mm x 16mm OD x 1.6mm Flat Washers
4	Center Bracket Short Foam Spacers	16	6mm Lock Washers
2	Center Bracket Long Foam Spacers	16	6mm Hex Nuts
2	Rear Bracket Foam Spacers		



PROCEDURE:

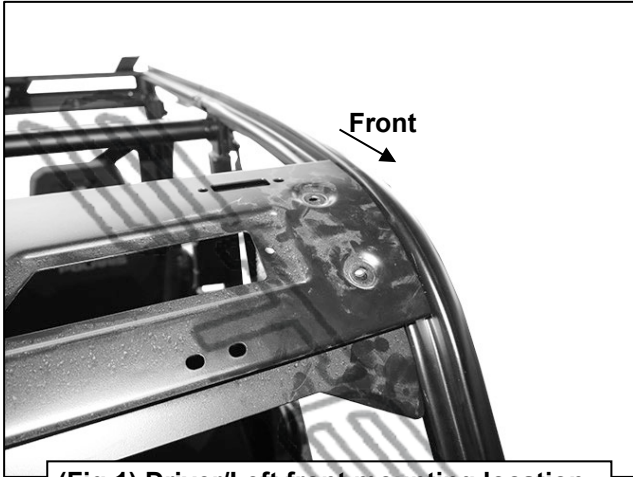
1. REMOVE CONTENTS FROM BOX. VERIFY ALL PARTS ARE PRESENT. READ INSTRUCTIONS CAREFULLY. USE ILLUSTRATION TO IDENTIFY BRACKETS. REMOVE PREVIOUSLY INSTALLED ROOVES AND RACKS.
2. Starting on the Driver/Left front of the vehicle, locate the front mounting location, (**Figure 1**). Select the Driver/Left Front Mounting Bracket and (1) Front Foam Spacer. Attach the Foam Spacer to the mounting tab on the top of the Bracket, (**Figure 2**).
3. Place (2) 10mm Space Washers into the indents around the hole in the front mounting location. Attach the Driver/Left Front Mounting Bracket to the frame with (2) 10mm Hex Bolts, (4) 10mm Flat Washers, (2) 10mm Lock Washers and (2) 10mm Hex Nuts, (**Figures 3 & 4**). Do not tighten hardware.
4. Move to the rear mounting location, (**Figure 5**). Select the Driver/Left Rear Mounting Bracket and (1) Rear Foam Spacer. Attach the Foam Spacer to the mounting tab on top of the Bracket, (**Figure 6**).
5. Attach the Driver/Left Rear Mounting Bracket to the frame with (2) 8mm Button Head Bolts, (4) 8mm Flat Washers, (2) 8mm Lock Washers and (2) 8mm Hex Nuts, (**Figure 7**). Do not tighten hardware.
6. Repeat **Steps 2—5** to attach the Passenger/Right Front and Rear Mounting Brackets.

7. For Lightbar installation, (lightbar not included):

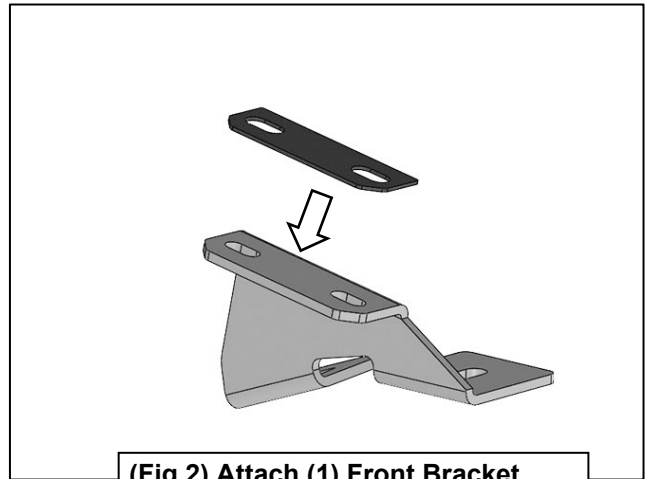
- a. Insert (4) T-Bolts into the channel in the rails, **(Figure 6)**. Slide the T-Bolts to the desired location,
 - b. Select the Driver/Left Light Bracket. Attach the Bracket to (2) T-Bolts with (2) 6mm Flat Washers, (2) 6mm Lock Washers and (2) 6mm Hex Nuts, **(Figure 9)**. Do not tighten hardware.
 - c. Repeat the previous **Step** to attach the Passenger/Right Light Bracket.
 - d. Attach desired lightbar to the Light Brackets with (2) 8mm x 16mm Hex Bolts, (2) 8mm Lock washers and (2) 8mm Flat Washers, **(Figure 10)**. Do not tighten hardware.
 - e. Level, adjust and center the lightbar. Then tighten all lightbar hardware.
- 8.** Select the (3) Foam Seams. Attach the Seams to the Front Roof Platform, **(Figure 11)**.
 - 9.** Attach the Front and Rear Roof Platforms with (6) 8mm Button Head Bolts, (12) 8mm Flat Washers, (6) 8mm Lock Washers and (6) 8mm Hex Nuts, **(Figure 12)**. Secure the rails above the Roof Platforms with (2) 8mm Button Head Bolts, (4) 8mm Flat Washers, (2) 8mm Lock Washers and (2) 8mm Hex Nuts, **(Figure 13)**. Do not tighten hardware.
 - 10.** Select (1) Center Connector Bracket, (2) Center Short Foam Spacers and (1) center Long Foam Spacers. Attach the Short Foam Spacers to the (2) upper mounting tabs on the Center Bracket. Attach the Long Foam Spacer to the bottom of the Center Bracket, **(Figure 14)**.
 - 11.** Attach the Center Connector Bracket to the underside of the Roof Platforms with (4) 8mm Button Head Bolts, (8) 8mm Flat Washers, (4) 8mm Lock Washers and (4) 8mm Hex Nuts, **(Figure 15)**. Do not tighten hardware.
 - 12.** Repeat **Steps 10 & 11** to attach the remaining Center Connector Bracket.
 - 13.** With assistance, lift the Platform assembly onto the Mounting Brackets. Attach the Platform to the Mounting Brackets with (8) 8mm Button Head Bolts, (16) 8mm Flat Washers, (8) 8mm Lock Washers and (8) 8mm Hex Nuts, **(Figures 16 & 17)**. Do not tighten Hardware.
 - 14.** Select (1) Center Clamping Bracket and Center Clamping Foam Spacer. Attach the Foam Spacer to the inner bend of the Bracket, **(Figure 18)**. Attach the Clamping Bracket to the Center Connector Bracket and crossmember with (4) 8mm Button Head Bolts, (8) 8mm Flat Washers, (4) 8mm Lock Washers and (4) 8mm Hex Nuts, **(Figures 19 & 20)**. Do not tighten hardware.
 - 15.** Level and adjust the Roof Platforms and tighten all hardware.
 - 16.** Do periodic inspections to the installation to make sure that all hardware is secure and tight.

To protect your investment, Do not use any type of polish or wax that may contain abrasives that could damage the finish. Mild soap may be used to clean the Platform.

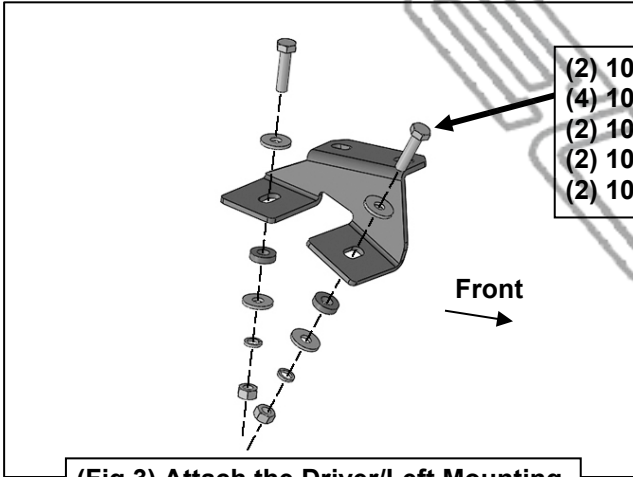
Driver Side Installation Pictured



(Fig 1) Driver/Left front mounting location

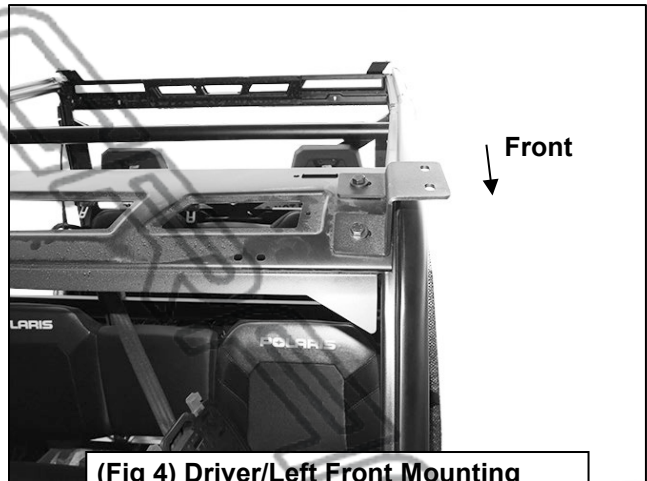


(Fig 2) Attach (1) Front Bracket
Foam Spacer to the top of the
Driver/Left Front Mounting Bracket



- (2) 10mm Hex Bolts
- (4) 10mm Flat Washers
- (2) 10mm Spacer Washers
- (2) 10mm Lock Washers
- (2) 10mm Hex Nuts

(Fig 3) Attach the Driver/Left Mounting
Bracket to the front location

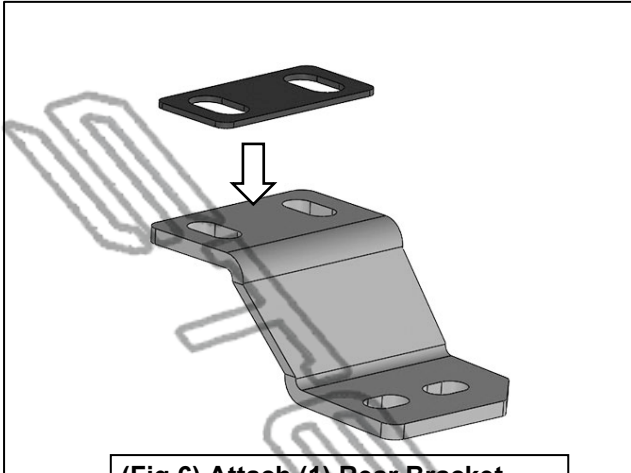


(Fig 4) Driver/Left Front Mounting
Bracket attached to the front location



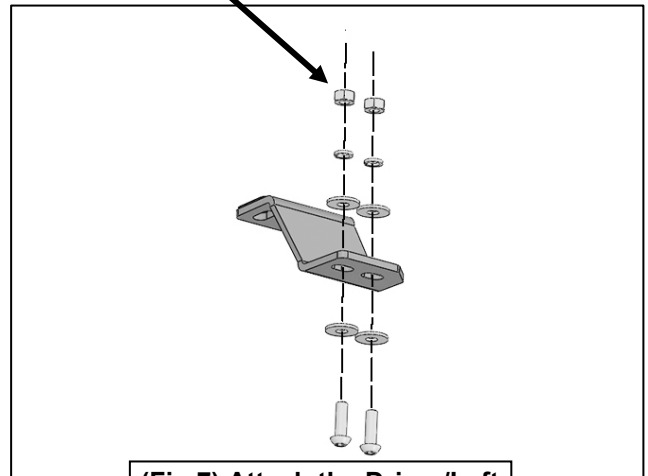
(Fig 5) Driver/Left rear mounting location

Driver Side Installation Pictured

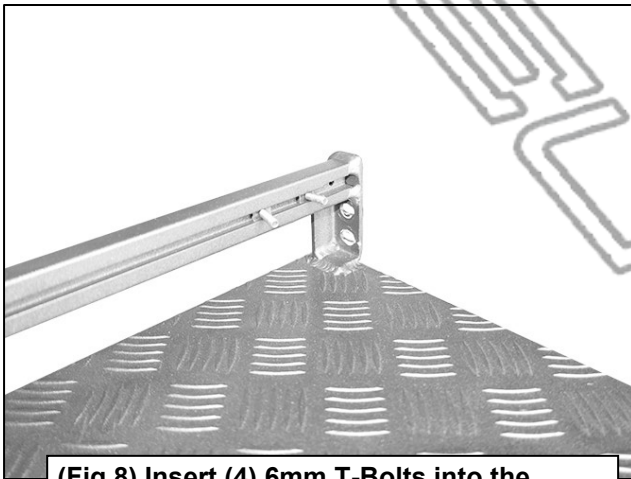


(Fig 6) Attach (1) Rear Bracket Foam Spacer to the top of the Driver/Left Rear Mounting Bracket

- (2) 8mm Button Head Bolts
- (4) 8mm Flat Washers
- (2) 8mm Lock Washers
- (2) 8mm Hex Nuts

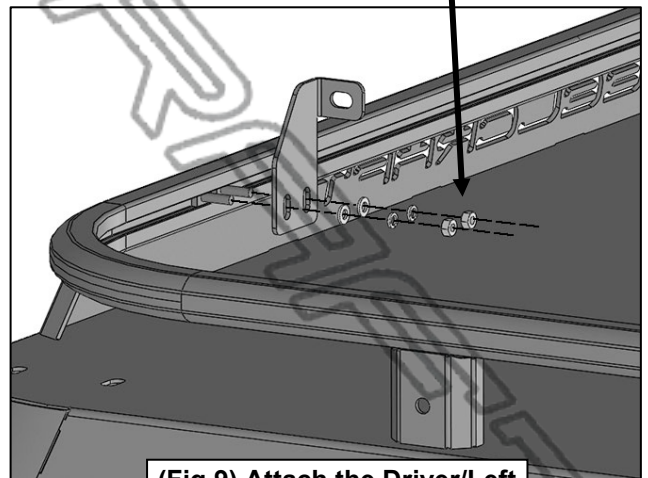


(Fig 7) Attach the Driver/Left Rear Mounting Bracket to the rear mounting location

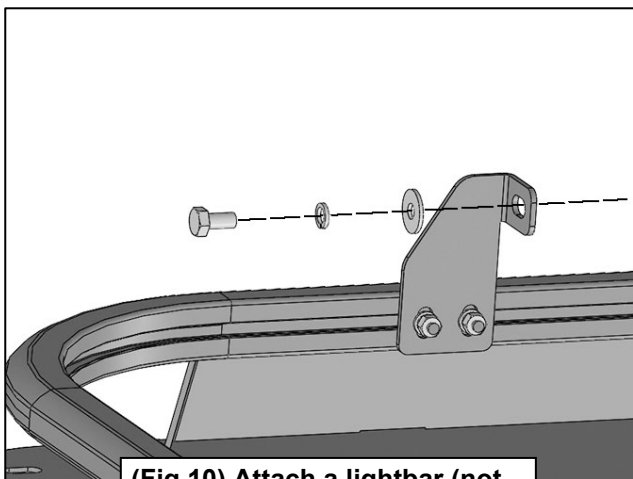


(Fig 8) Insert (4) 6mm T-Bolts into the channel in the rails above the roof platform

- (2) 6mm T-Bolts
- (2) 6mm Flat Washers
- (2) 6mm Lock Washers
- (2) 6mm Hex Nuts

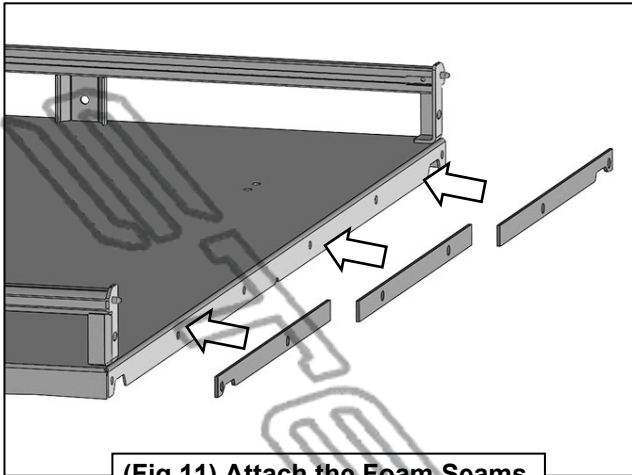


(Fig 9) Attach the Driver/Left Light Bracket to the T-Bolts



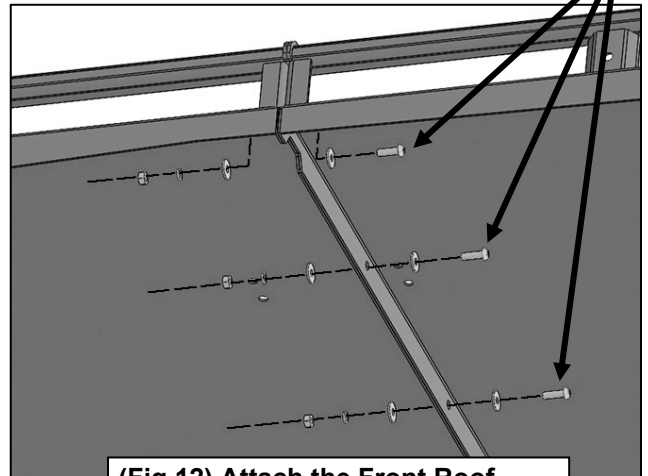
(Fig 10) Attach a lightbar (not included) to the Light Brackets

Driver Side Installation Pictured

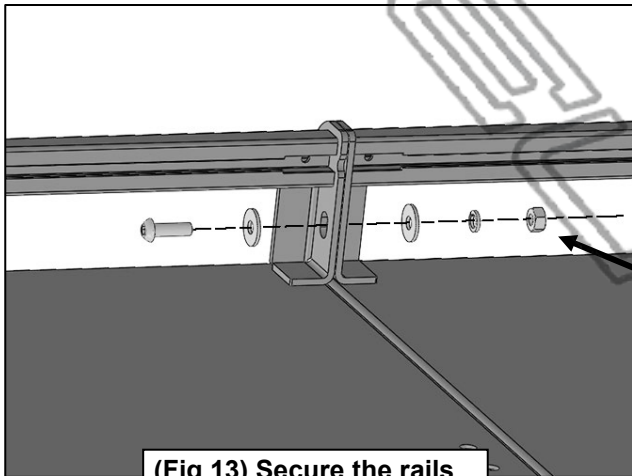


(Fig 11) Attach the Foam Seams to the Front Roof Platform

- (3) 8mm Button Head Bolts
- (6) 8mm Flat Washers
- (3) 8mm Lock Washers
- (3) 8mm Hex Nuts

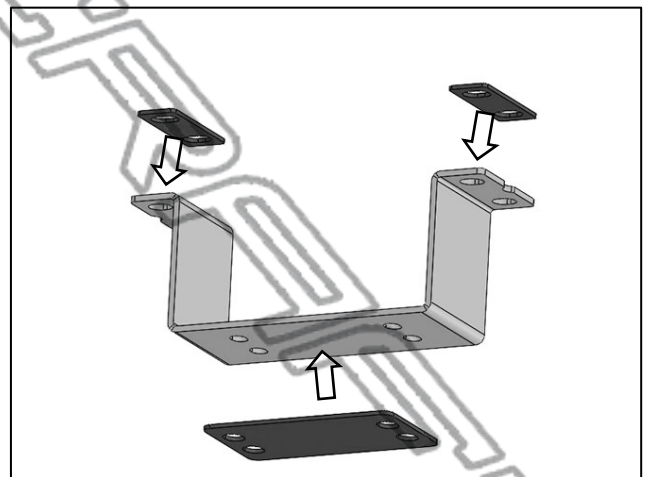


(Fig 12) Attach the Front Roof Platform to the Rear Roof Platform

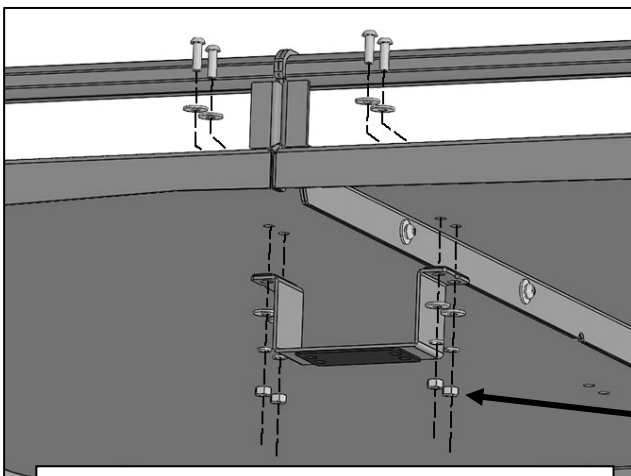


(Fig 13) Secure the rails above the Roof Platforms

- 8mm Button Head Bolt
- (2) 8mm Flat Washers
- 8mm Lock Washer
- 8mm Hex Nut



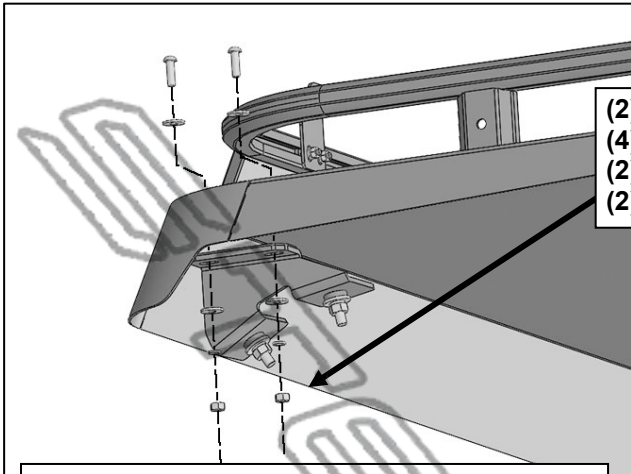
(Fig 14) Attach the Center Foam Spacers to the Center Connector Bracket



(Fig 15) Attach the Center Connector Bracket to the bottom of the Roof Platforms

- (4) 8mm Button Head Bolts
- (8) 8mm Flat Washers
- (4) 8mm Lock Washers
- (4) 8mm Hex Nuts

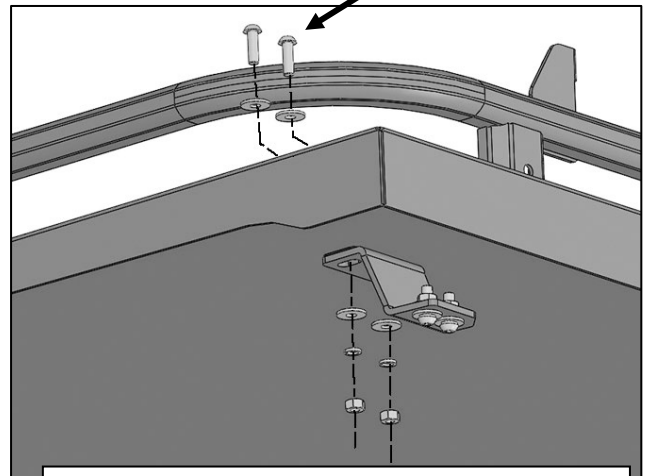
Driver Side Installation Pictured



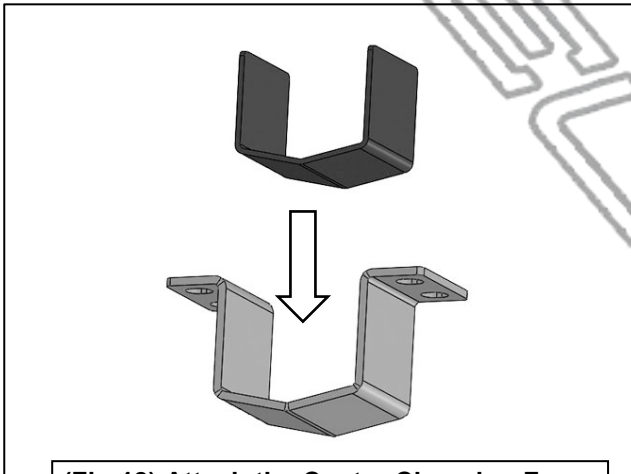
- (2) 8mm Button Head Bolts
- (4) 8mm Flat Washers
- (2) 8mm Lock Washers
- (2) 8mm Hex Nuts

- (2) 8mm Button Head Bolts
- (4) 8mm Flat Washers
- (2) 8mm Lock Washers
- (2) 8mm Hex Nuts

(Fig 16) Attach the front of the Roof Platform to the Driver/Left Mounting Bracket

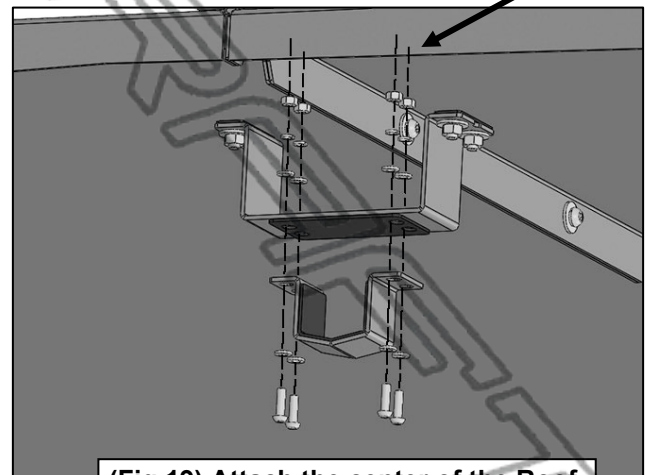


(Fig 17) Attach the front of the Roof Platform to the Driver/Left Mounting Bracket

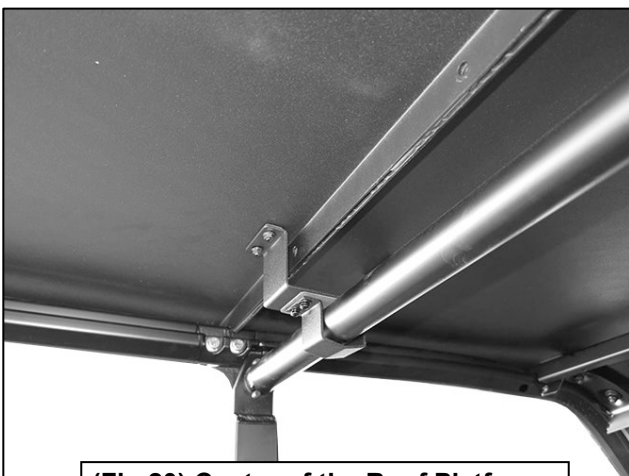


(Fig 18) Attach the Center Clamping Foam Spacers to the Center Clamping Bracket

- (4) 8mm Button Head Bolts
- (8) 8mm Flat Washers
- (4) 8mm Lock Washers
- (4) 8mm Hex Nuts



(Fig 19) Attach the center of the Roof Platform to the center crossmember



(Fig 20) Center of the Roof Platform attached to the center crossmember