

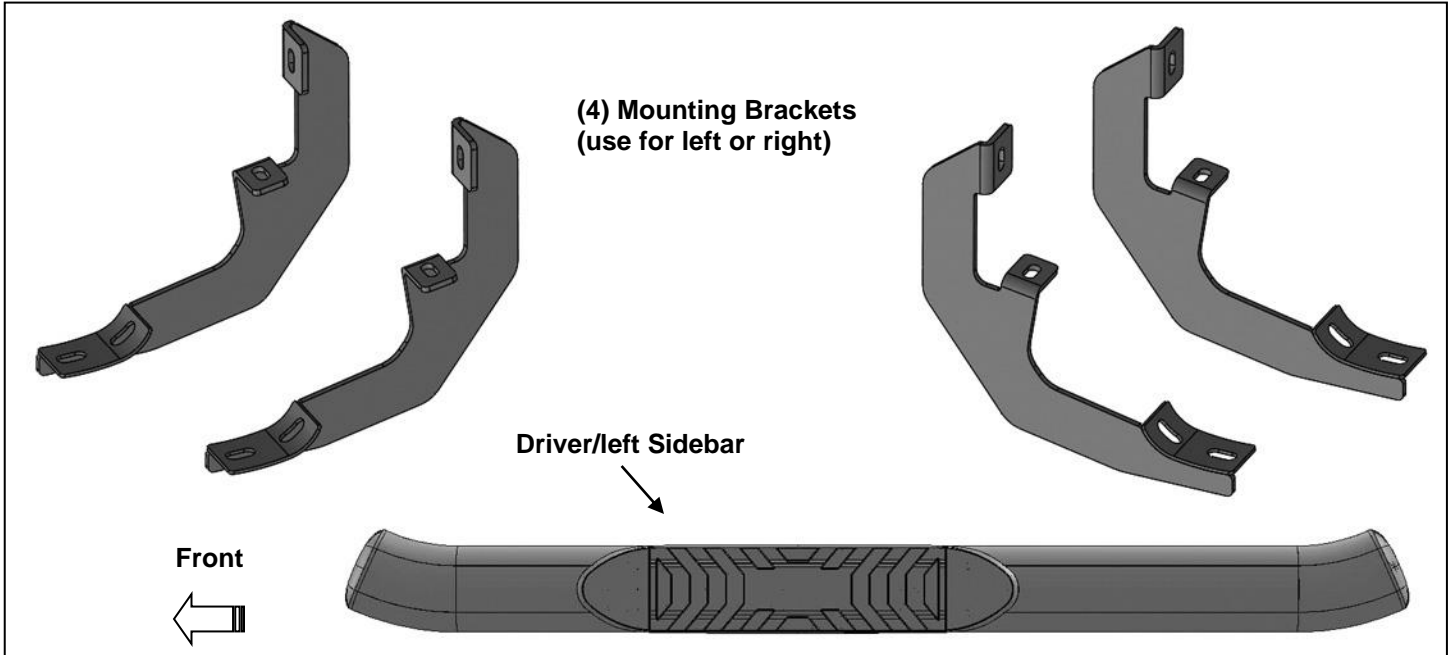
# **INSTALLATION INSTRUCTIONS**

**5IN OVAL BENT END SIDEBAR**

**19-20 1500 SILVERADO/SIERRA (EXCL. LD CLASSIC/LIMITED) REGULAR CAB  
2020 SILVERADO/SIERRA 2500/3500 REGULAR CAB**

**PARTS LIST:**

1	Driver/left Sidebar	8	8-1.25mm x 30mm Hex Bolts
1	Passenger/right Sidebar	8	8-1.25mm x 25mm Combo Bolts
4	Mounting Brackets	8	8mm x 24mm x 2mm Flat Washers
		8	8mm Lock Washers



**PROCEDURE:**

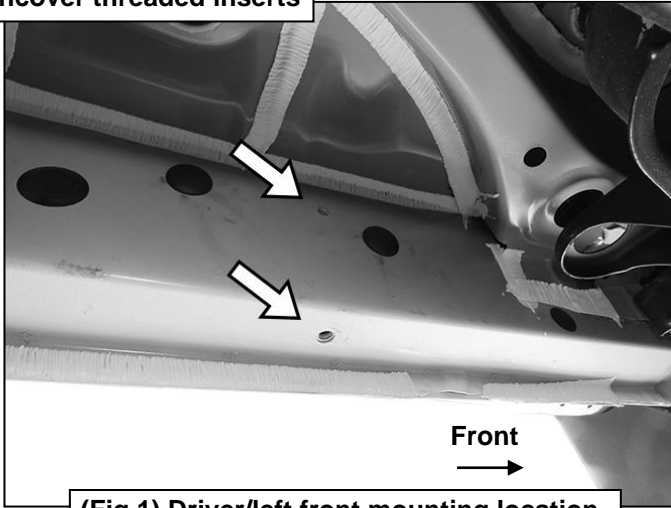
**REMOVE CONTENTS FROM BOX. VERIFY ALL PARTS ARE PRESENT. READ INSTRUCTIONS CAREFULLY BEFORE STARTING INSTALLATION. ASSISTANCE IS RECOMMENDED.**

1. Start the installation under the driver/left side of the vehicle. Locate the plastic plugs along the bottom edge of the body, **(Figure 1)**. Mounting Brackets will attach to the threaded mounting holes at the front and rear of the cab. Remove the plastic plugs from the front mounting location. Directly above each threaded insert is a top mounting location on the side of the body panel. Hold a Bracket up in place to help determine the correct mounting holes to use along the body. **NOTE:** Thread an 8mm Hex Bolt into the threaded inserts to clear paint as required.
2. Select (1) Mounting Bracket, **(Figure 2)**. Starting at the front of the driver/left side, attach the Mounting Bracket to the factory threaded holes with (2) 8mm x 30mm Hex Bolts, (2) 8mm Lock Washers and (2) 8mm Flat Washers, **(Figures 2 & 3)**. Do not fully tighten hardware.
3. Repeat **Steps 1 & 2** to attach the rear Bracket to the rear mounting location along the body panel, **(Figures 4 & 5)**.
4. Select the Driver/left Sidebar. Use the illustration above to help determine the correct Sidebar. **NOTE:** The front step pad is closer to the front end of the Sidebar. Place the Sidebar on top of the Brackets. **IMPORTANT:** Do not slide, (front to back), the Sidebar on the Brackets or damage to the finish may result.
5. Attach the Sidebar to the Brackets with (4) 8mm Combo Bolts, **(Figures 6 & 7)**.
6. Level and adjust the Sidebar and fully tighten all hardware.
7. Repeat **Steps 1—6** to install the Passenger/right Sidebar.
8. Do periodic inspections to the installation to make sure that all hardware is secure and tight.

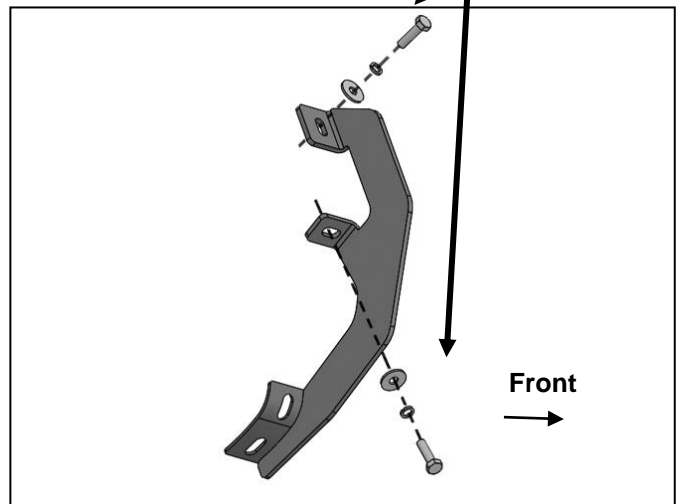
**To protect your investment**, wax this product after installing. Regular waxing is recommended to add a protective layer over the finish. Do not use any type of polish or wax that may contain abrasives that could damage the finish. Aluminum polish may be used to polish small scratches and scuffs on the finish. Mild soap may be used also to clean the Sidebars.

### Driver/left side Installation Pictured

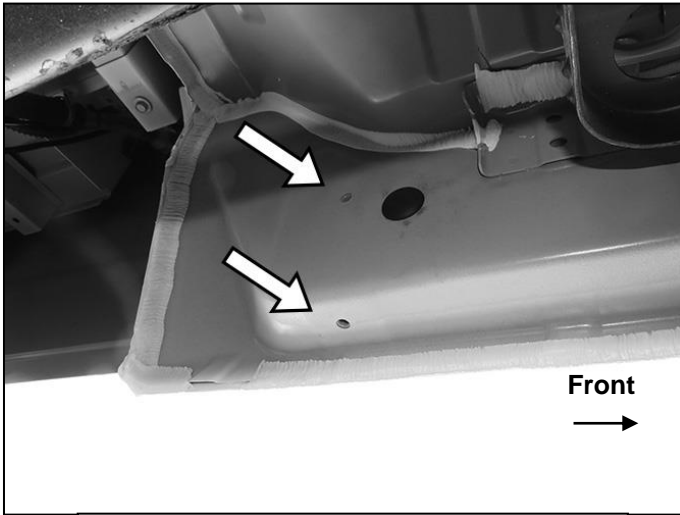
Remove plastic plugs to uncover threaded inserts



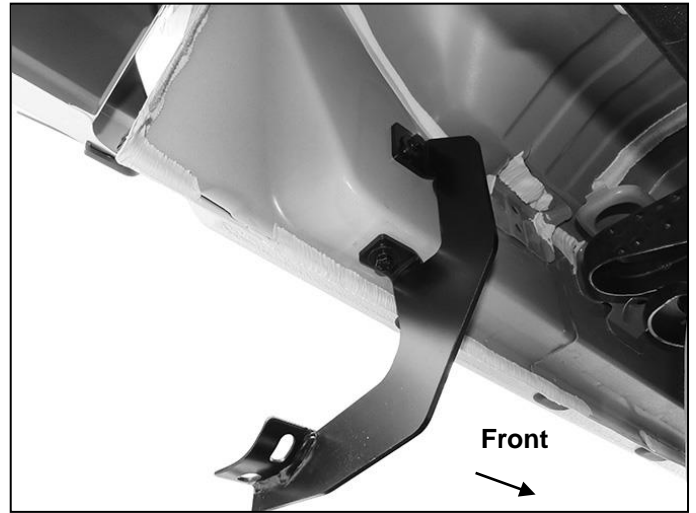
(2) 8mm Hex Bolts  
(2) 8mm Lock Washers  
(2) 8mm Flat Washers



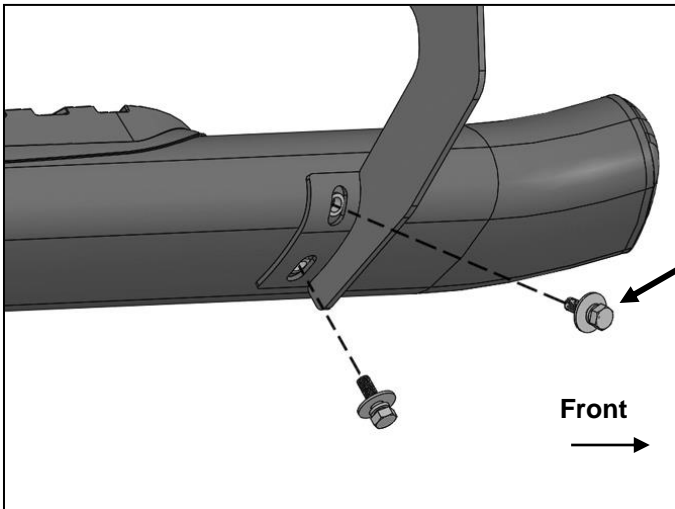
### Driver/left side Installation Pictured



(Fig 4) Driver/left rear mounting location

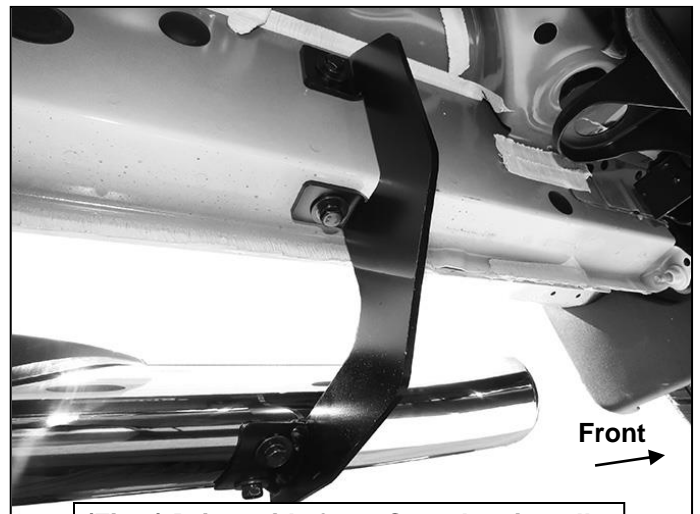


(Fig 5) Driver/left rear Bracket installed



(Fig 6) Attach Sidebar to Mounting Brackets

(2) 8mm Combo Bolts



(Fig 7) Driver side front Complete install