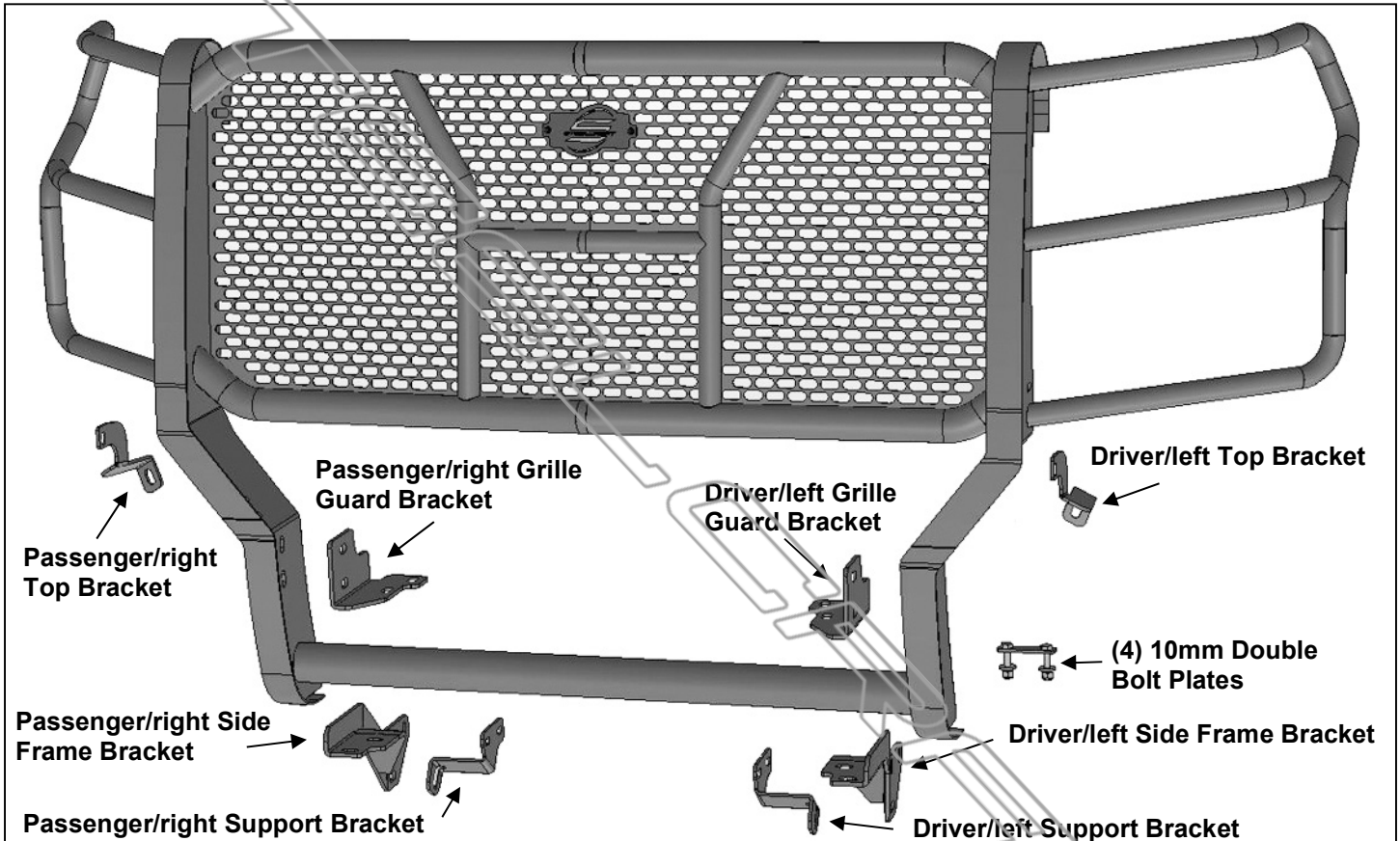


**PARTS LIST:**

1	HD Grille Guard	10	12-1.75mm x 35mm Hex Bolts
1	Driver/left Frame Bracket	16	12mm x 37mm OD x 3mm Large Flat Washers
1	Passenger/Right Frame Bracket	4	12mm x 24mm OD x 2.5mm STD Flat Washers
1	Driver/left Frame Support Bracket	10	12-1.75mm Nylon Lock Nuts
1	Passenger/right Frame Support Bracket	4	10mm x 35mm Double Bolt Plates
1	Driver/left Grille Guard Mounting Bracket	2	10-1.5mm x 35mm Hex Bolts
1	Passenger/Right Grille Guard Mounting Bracket	12	10mm x 27mm OD x 3mm Flat Washers
1	Driver/left Top Mounting Bracket	10	10-1.5mm Nylon Locknuts
1	Passenger/Right Top Mounting Bracket	1	Allen Wrench



**PROCEDURE:**

**REMOVE CONTENTS FROM BOX. VERIFY ALL PARTS ARE PRESENT. READ INSTRUCTIONS CAREFULLY BEFORE STARTING INSTALLATION. CUTTING MAY BE REQUIRED. INSTALLATION MAY INTERFERE WITH BUMPER MOUNTED PARKING SENSORS. ASSISTANCE IS RECOMMENDED.**

1. Start installation from below and behind the driver/left side of the bumper. Locate and remove the top outer bumper bolt attaching the back of the bumper to the inner bumper bracket. **(Figure 1)**.
2. Select the driver/left Top Bracket, **(Figure 2)**. Starting at the driver/left front wheel opening, carefully insert the 90-degree bent end of the Top Bracket into the gap between the fender liner and the front bumper, **(Figure 3)**. Slide the Top Bracket along the gap between the upper and lower bumper covers. Reuse the factory bumper bolt to attach the Top Bracket to the back of the bumper bracket, **(Figure 4)**. Do not fully tighten at this time. Repeat this Step to attach the passenger/right Top Bracket.
3. Determine if the vehicle is equipped with tow hooks

### Models with tow hooks.

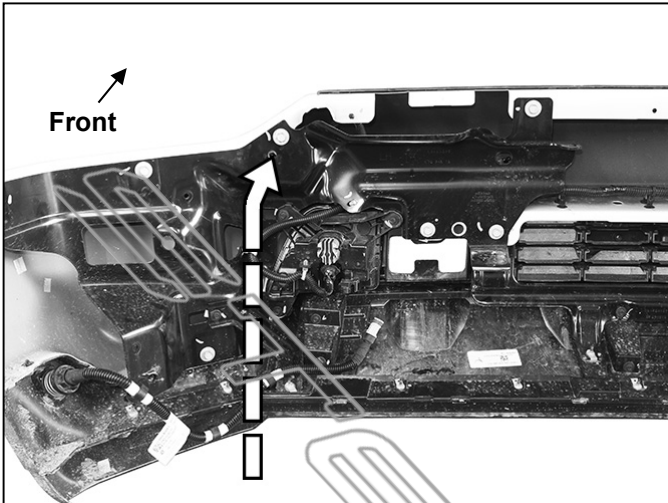
- a. Remove the factory bolts attaching the driver/left tow hook to the end of the frame, **(Figure 5)**. It may be necessary to partially remove the tow hook to insert the outer Frame Bracket through the tow hook opening in the bumper, **(Figure 8)**. Trim opening in bumper as necessary to clear the Frame Bracket.
- b. Reuse the factory tow hook bolts to attach the driver/left outer Frame Bracket and inner Support Bracket to the end of the frame, **(Figure 6)**. Do not fully tighten hardware at this time.
- c. Next, attach the bottom of the Inner Support Bracket to the Outer Frame Bracket with (1) 12mm x 35mm Hex Bolt, (2) 12mm x 24mm STD Flat Washers and (1) 12mm Nylon Lock Nut, **(Figure 6)**. Do not fully tighten hardware at this time.
- d. Repeat previous Steps to install the passenger/right Frame and Support Brackets.

### Models without tow hooks.

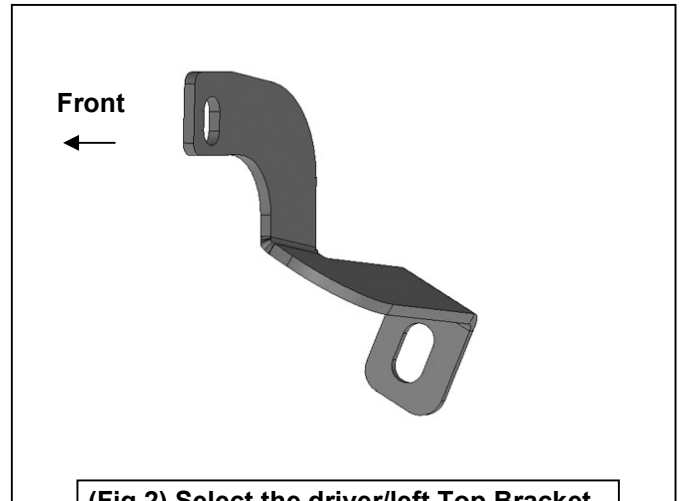
- a. **IMPORTANT.** The pocket in the plastic bumper may need to be cut out to clear the driver/left Frame Bracket, **(Figure 8)**. Use a sharp knife or hacksaw blade and carefully cut out the pocket to clear the Frame Brackets. Only cut out enough plastic to clear the Brackets.
  - b. Select (1) 10mm Double Bolt Plate, **(Figure 7)**. Insert the Bolt Plate into the open end of the frame and out through the (2) outer holes in the frame, **(Figure 9)**. Select the driver/left Outer Frame Bracket, **(Figure 7)**. Carefully slide the Bracket through the tow hook opening and over the end of the frame and Bolt Plate. Attach the Bracket to the Double Bolt Plate with (2) 10mm Flat Washers and (2) 10mm Nylon Lock Nuts, **(Figures 7 & 10)**. Leave hardware loose.
  - c. Repeat the previous Steps to install a second Double Bolt Plate in the inner side of the frame. Select the driver/left Inner Frame Support Bracket. Attach the Support Bracket to the Bolt Plate with the included (2) 10mm Flat Washers and (2) 10mm Nylon Lock Nuts, **(Figure 11)**. Leave hardware loose. Next, attach the bottom of the Inner Support Bracket to the Outer Frame Bracket with (1) 12mm x 35mm Hex Bolt, (2) 12mm x 24mm STD Flat Washers and (1) 12mm Nylon Lock Nut, **(Figures 7, 10—12)**. Do not fully tighten hardware at this time.
  - d. Repeat the previous Steps to install the passenger/right Frame and Support Brackets.
4. Next, select the driver/left Grille Guard Mounting Bracket, **(Figure 13)**. Attach the Bracket to the bottom of the Frame Bracket with the included (2) 12mm x 35mm Hex Bolts, (4) 12mm x 37mm Large Flat Washers and (2) 12mm Nylon Lock Nuts, **(Figures 13 & 15)**. On models with tow hooks, it may be necessary to loosen or temporarily remove the frame attaching bolts to insert the hardware. Leave hardware loose at this time. Repeat this Step to install the passenger/right Grille Guard Bracket.
  5. With assistance, position the Heavy Duty Grille Guard up to the outside of the Frame Mounting Brackets and inside of the Top Brackets. Attach the Grille Guard to the Frame Brackets with the included (4) 12mm x 35mm Hex Bolts, (8) 12mm x 37mm Large Flat Washers and (4) 12mm Nylon Lock Nuts, **(Figures 14 & 15)**. Attach the Top Brackets to the outside of the Grille Guard with (2) 10mm x 35mm Hex Bolts, (4) 10mm Flat Washers and (2) 10mm Nylon Lock Nuts, **(Figures 14 & 16)**. Do not fully tighten hardware.
  6. Level and adjust the Grille Guard and fully tighten all hardware.
  7. Do periodic inspections to the installation to make sure that all hardware is secure and tight.

**To protect your investment,** Do not use any type of polish or wax that may contain abrasives that could damage the finish. Mild soap may be used to clean the Grille Guard.

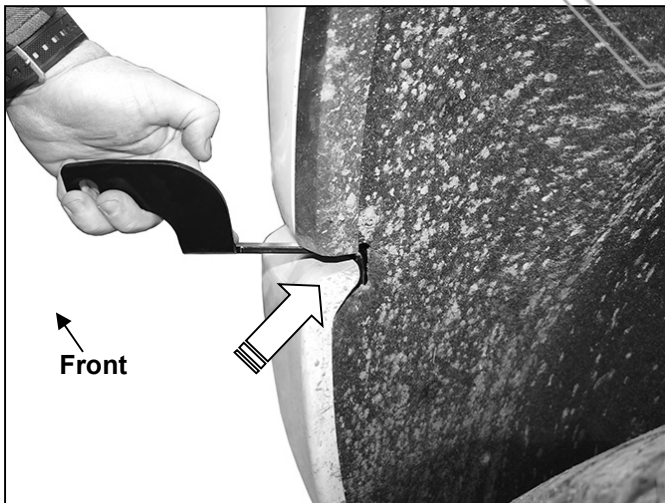
### Driver/left Side Installation Pictured



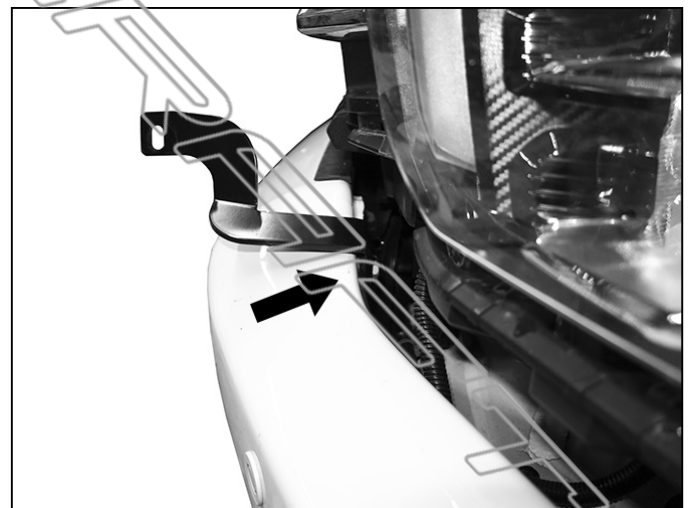
(Fig 1) From below/behind bumper, remove the top outer bumper bracket bolt (arrow) from the back of the bumper. Bumper pictured removed for instruction purposes only, do not remove bumper



(Fig 2) Select the driver/left Top Bracket

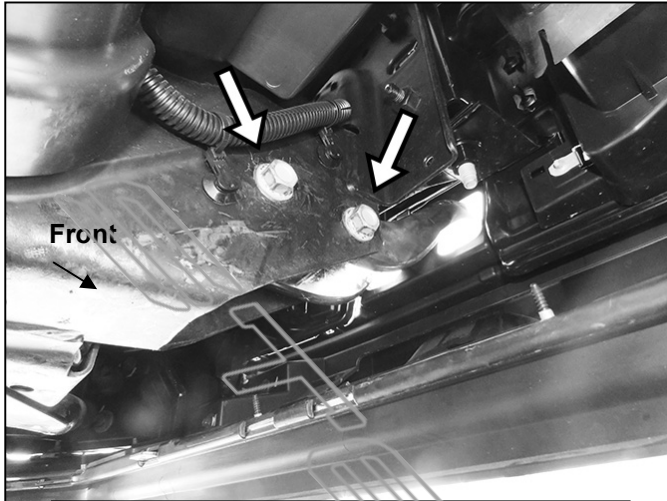


(Fig 3) Start at the end of the bumper and insert the 90-degree bent end of the driver/left Top Bracket into the gap between the lower bumper and upper fascia body panel (arrow)

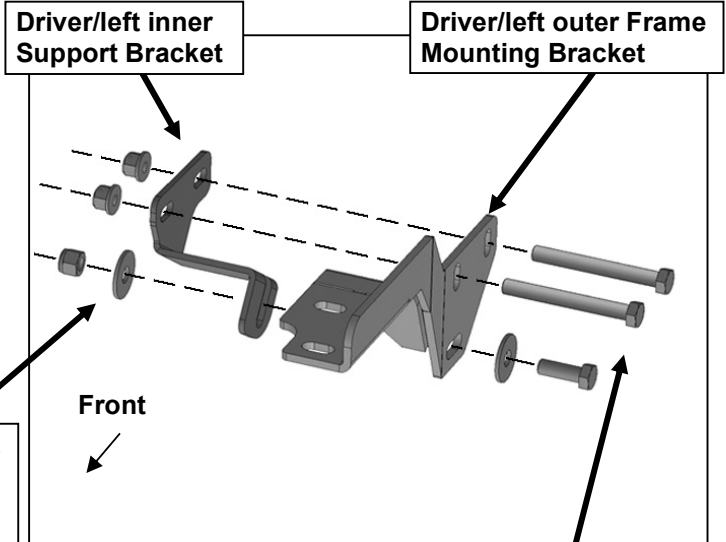


(Fig 4) From behind bumper, reuse bumper bolt to attach driver/left Top Bracket to back of bumper bracket (arrow). Bumper pictured with top fascia body panel removed for instruction purposes only, do not remove fascia panel

### Driver/left Side Installation Pictured



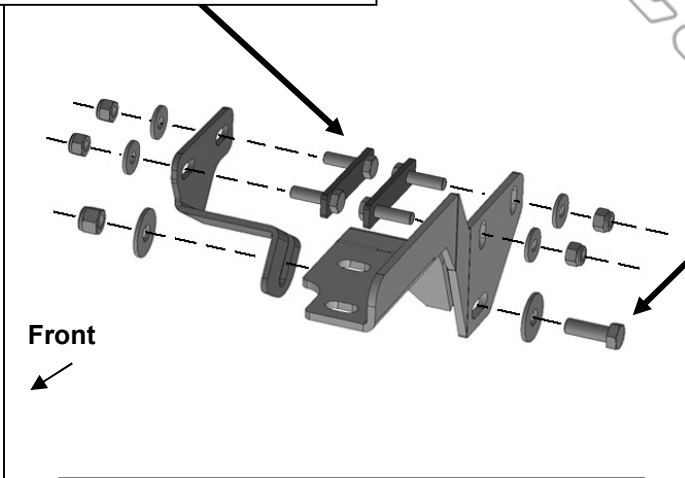
(Fig 5) Models equipped with tow hooks, remove bolts attaching tow hooks to end of frame (arrows). Leave tow hooks in place



- 12mm x 35mm Hex Bolt
- (2) 12mm x 24mm STD Flat Washers
- 12mm Nylon Lock Nut

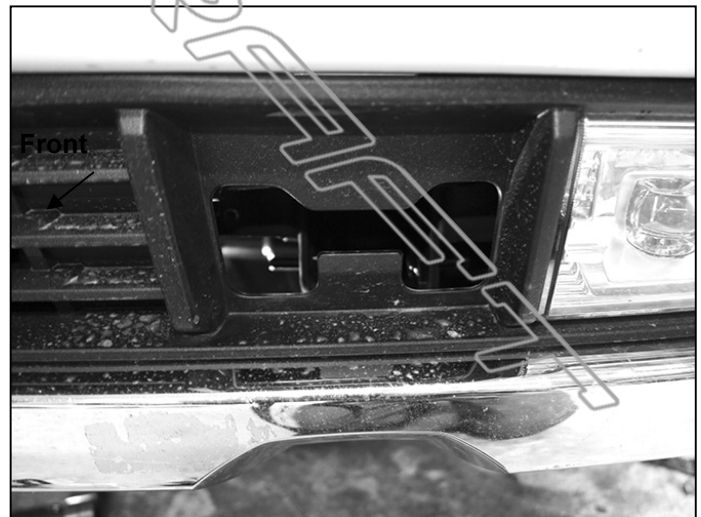
(Fig 6) Models equipped with tow hooks, reuse tow hook bolts to attach driver/left outer Frame Mounting Bracket and inner Support Bracket to outside of frame. Leave tow hooks in place

- (2) 10mm Double Bolt Plates
- (4) 10mm Flat Washers
- (4) 10mm Nylon Lock Nuts



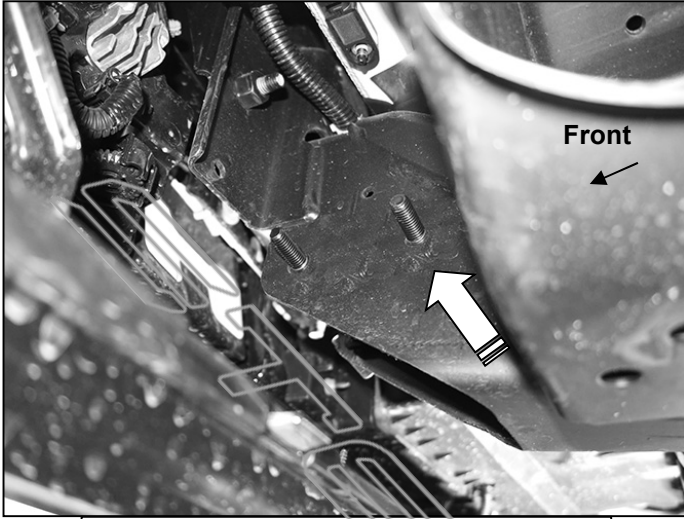
- 12mm x 35mm Hex Bolt
- (2) 12mm x 24mm STD Flat Washers
- 12mm Nylon Lock Nut

(Fig 7) Models without tow hooks, insert the included (2) 10mm Double Bolt Plates into the open end of the frame and out the holes in the sides. Attach the driver/left outer Frame Bracket and inner Support Bracket to the sides of the frame and Bolt Plates



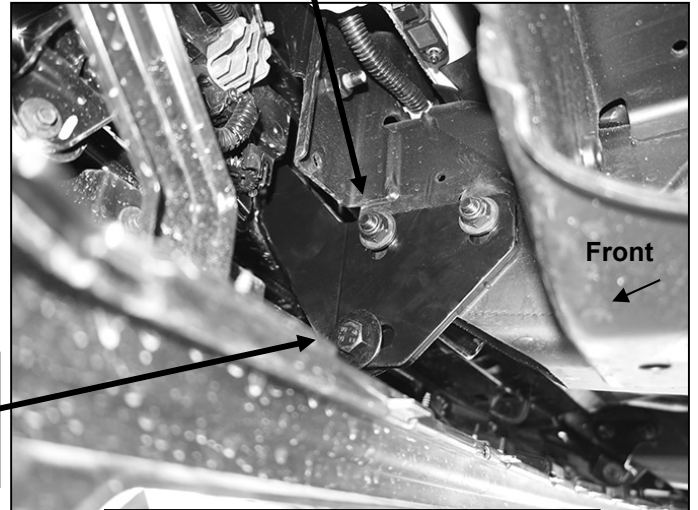
(Fig 8) Trim plastic opening if necessary, to clear Brackets

**Driver/left Side Installation Pictured**



**(Fig 9) Insert Double Bolt Plate through holes in outer side of frame (arrow)**

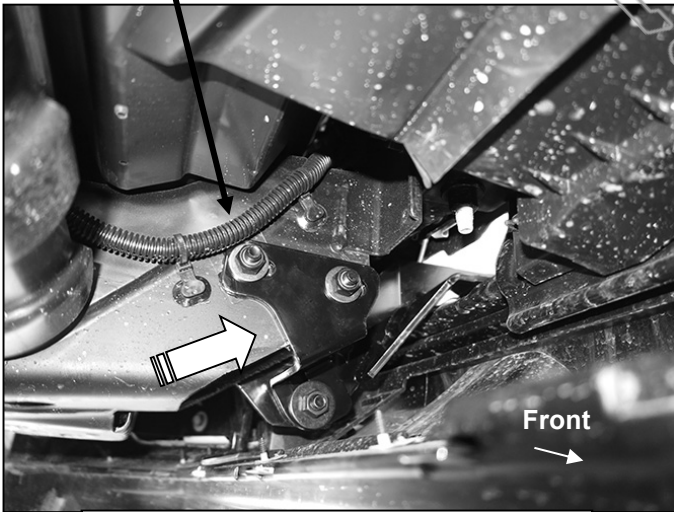
- (2) 10mm Double Bolt Plates
- (4) 10mm Flat Washers
- (4) 10mm Nylon Lock Nuts



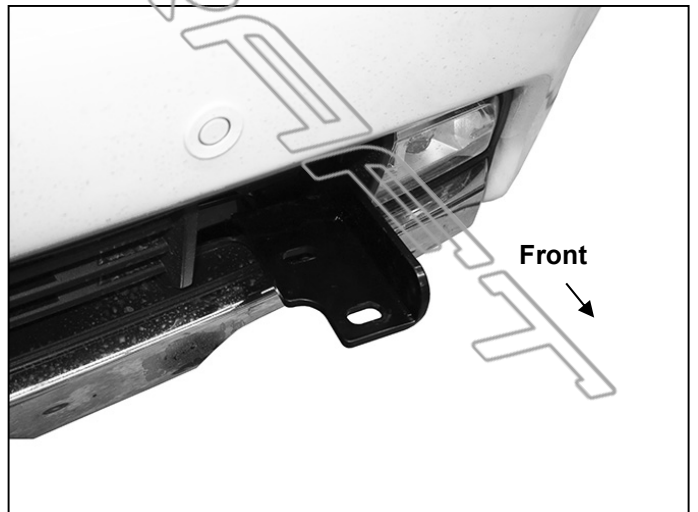
**(Fig 10) Attach driver/left outer Frame Bracket to Double Bolt Plate**

- 12mm x 35mm Hex Bolt
- (2) 12mm x 24mm STD Flat Washers
- 12mm Nylon Lock Nut

- (2) 10mm Double Bolt Plates
- (4) 10mm Flat Washers
- (4) 10mm Nylon Lock Nuts

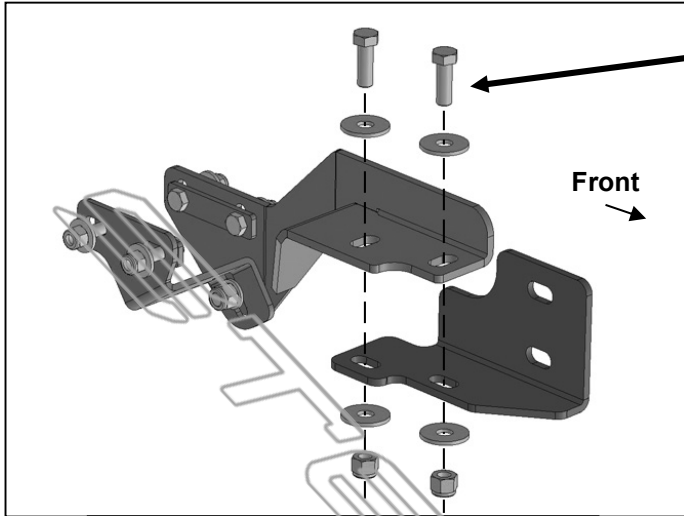


**(Fig 11) Attach driver/left inner Support Bracket to Frame Bracket and Double Bolt Plate in frame (arrow)**



**(Fig 12) Driver/left Frame Bracket installed**

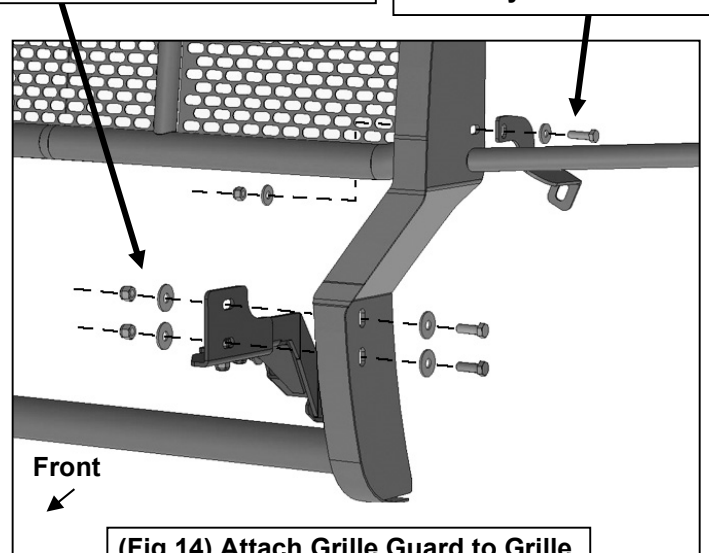
**Driver/left Side Installation Pictured**



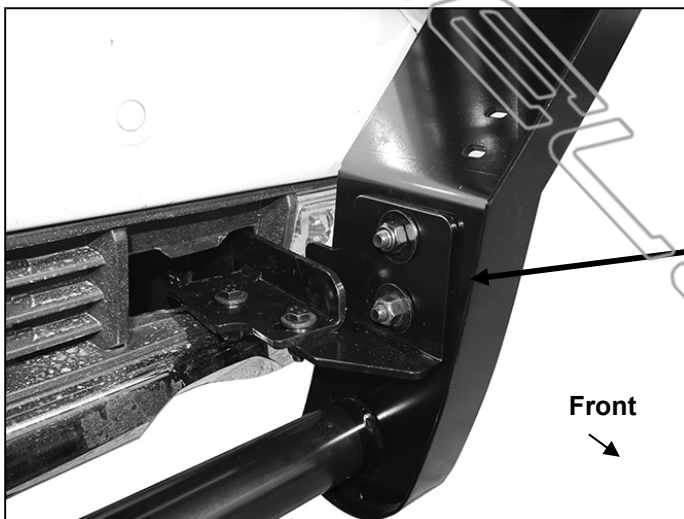
**(Fig 13) Attach driver/left Grille Guard Bracket to bottom of Frame Bracket**

- (2) 12mm x 35mm Hex Bolts
- (4) 12mm x 37mm Large Flat Washers
- (2) 12mm Nylon Lock Nuts

- 10mm x 35mm Hex Bolt
- (2) 10mm Flat Washers
- 10mm Nylon Lock Nut



**(Fig 14) Attach Grille Guard to Grille Guard Bracket and Top Bracket**



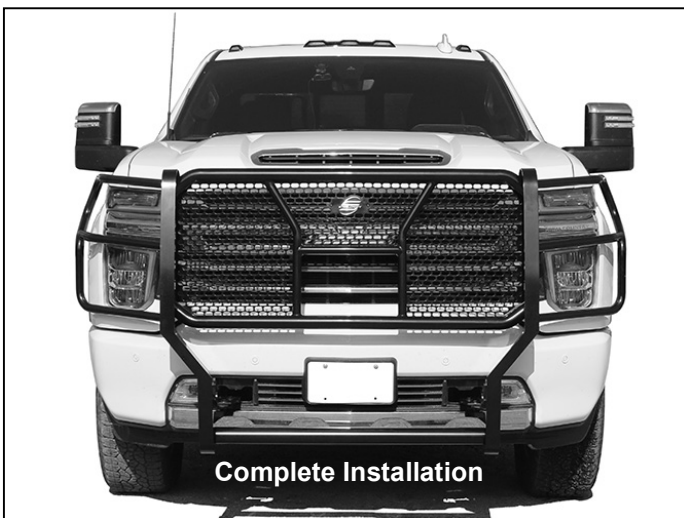
**(Fig 15) Attach Grille Guard to Frame Bracket**

- (2) 12mm x 35mm Hex Bolts
- (4) 12mm x 37mm Large Flat Washers
- (2) 12mm Nylon Lock Nuts

- 10mm x 35mm Hex Bolt
- (2) 10mm Flat Washers
- 10mm Nylon Lock Nut



**(Fig 16) Attach Top Bracket to outside of Grille Guard**



**Complete Installation**