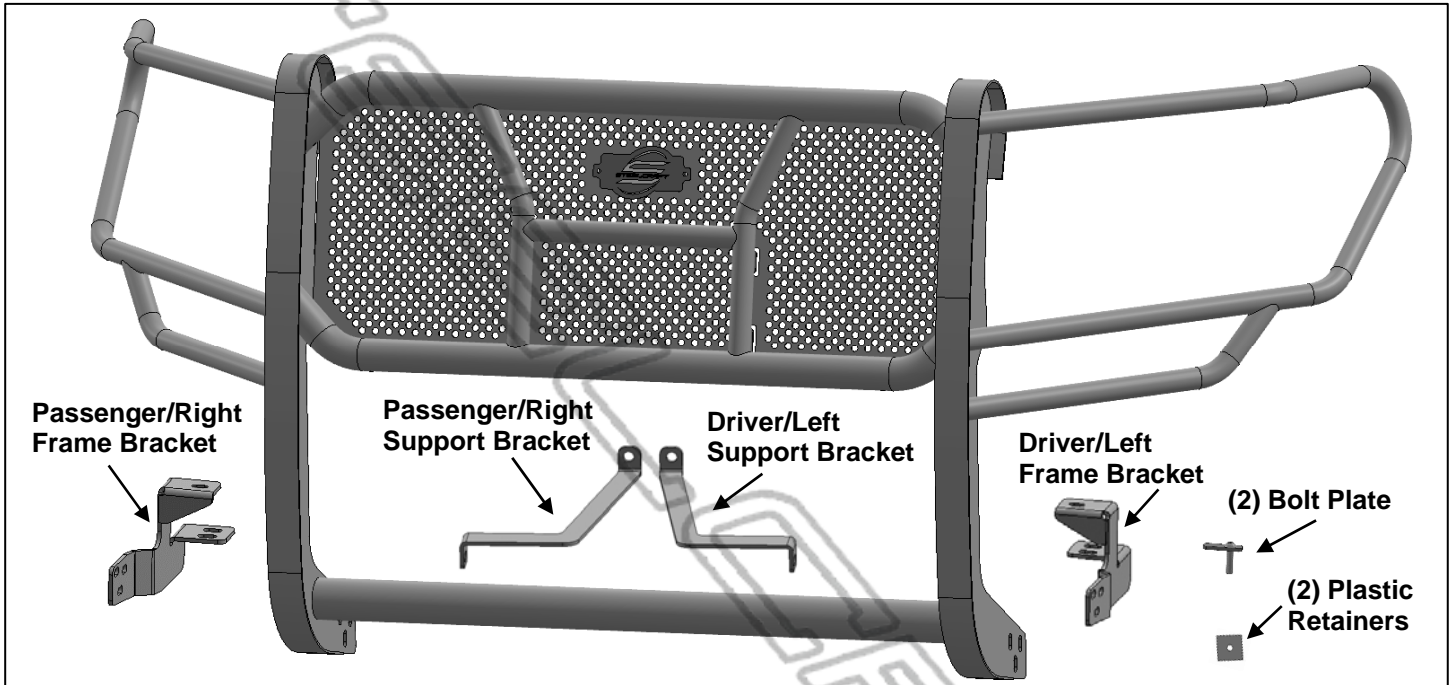


Installation Instructions

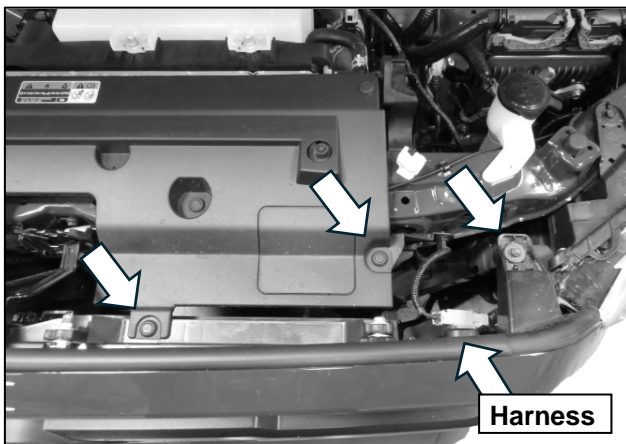
PARTS LIST:

Qty	Item Description	Qty	Item Description
1	HD Grille Guard	6	10-1.5mm x 35mm Hex Bolts
1	Driver/Left Mounting Bracket	18	10mm x 27mm OD x 3mm Flat Washers
1	Passenger/Right Mounting Bracket	10	10mm Hex Nuts
1	Driver/Left Top Bracket	2	10-1.5mm x 40mm Bolt Plates
1	Passenger/Right Top Bracket	2	M10 Plastic Retainers
1	4mm Allen Wrench	2	10-1.5mm x 35mm Button Head Bolts
1	6mm Allen Wrench	10	10mm Lock Washers

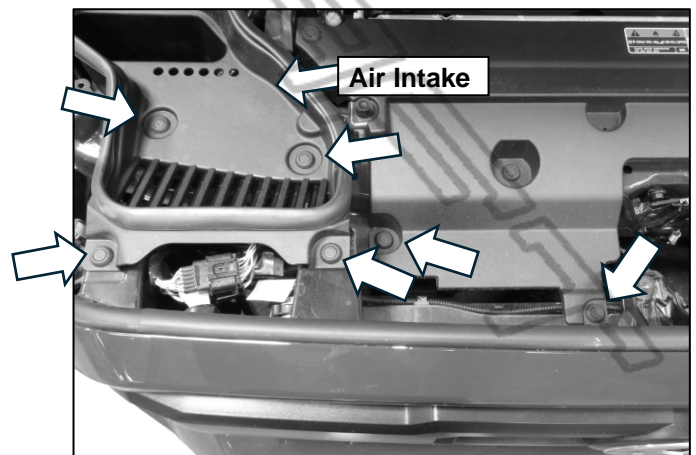


1

Follow (Fig 1 – 10) to remove front clip from vehicle, then remove shutter louvers. After shutter louvers have been removed, reinstall front clip to vehicle.



(Fig 1a) Push in clips and pry from underneath to remove clips, remove bolts holding top of grille. Remove harness attached to the grille.

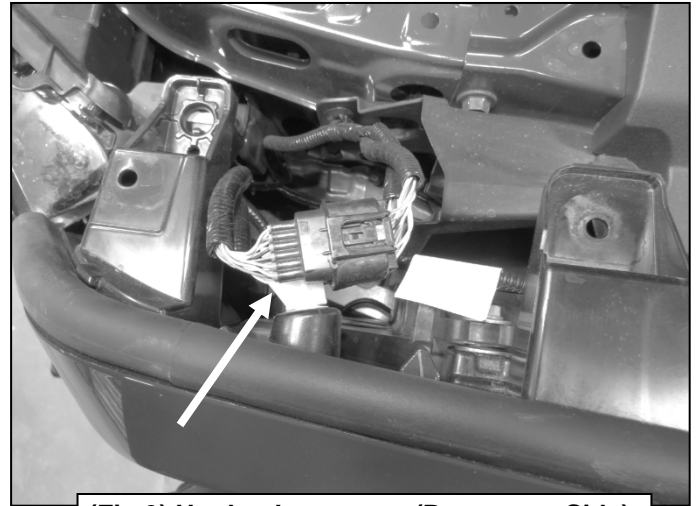


(Fig 1b) Remove remaining clips and factory bolts. After bolts are removed lift and remove air intake to expose hidden bolt.

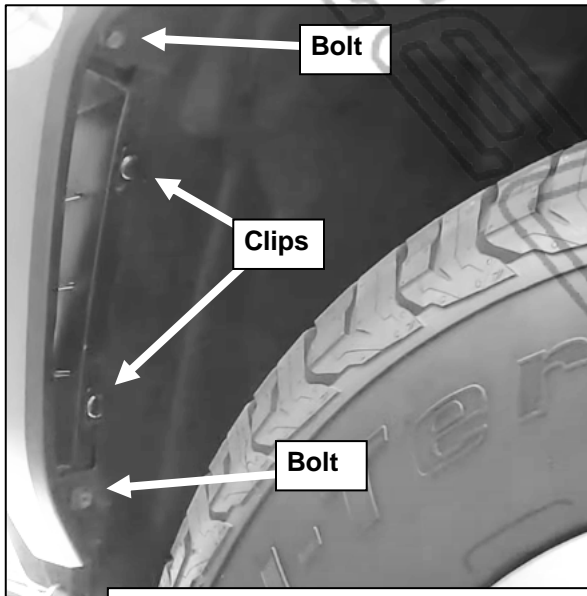
Driver/left Side Installation Pictured on Fig 4-6



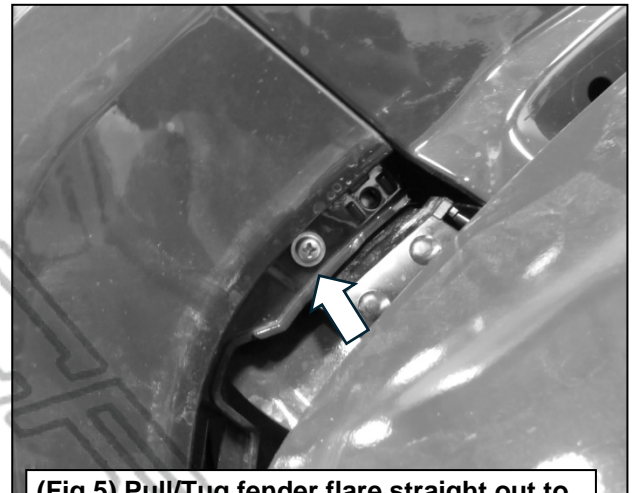
(Fig 2) With air intake out of the way, remove final bolt (arrow) attaching grille. (Passenger Side)



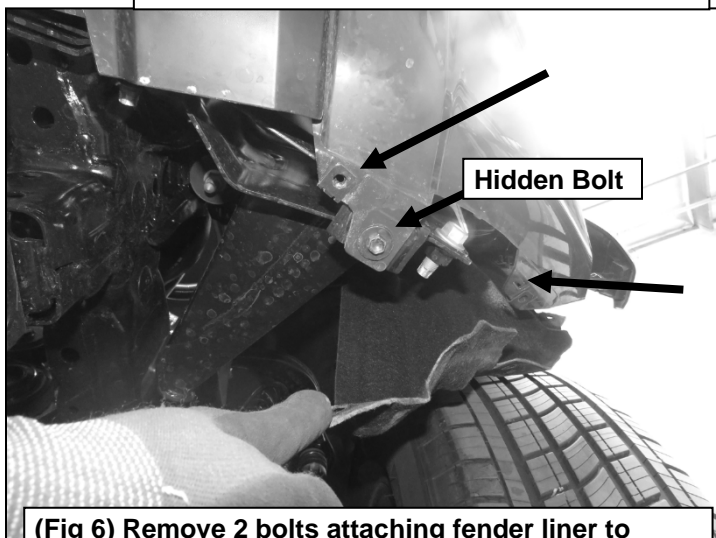
(Fig 3) Unplug harnesses (Passenger Side)



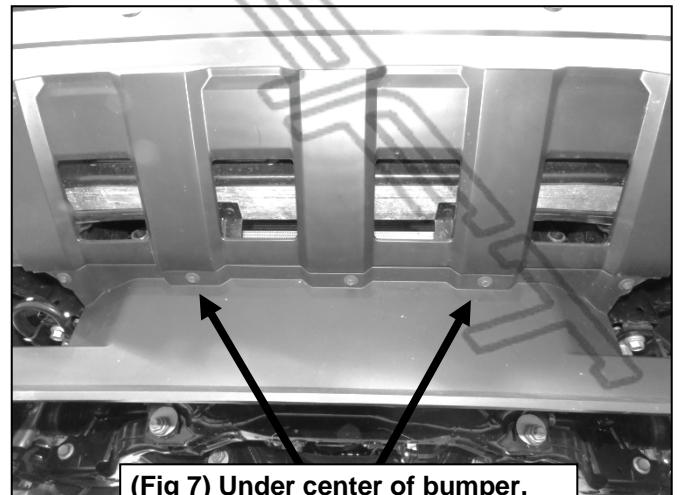
(Fig 4) Remove clips and bolts attaching fender liner. Repeat to passenger side.



(Fig 5) Pull/Tug fender flare straight out to expose bolt. Remove bolt attaching fascia to fender. Repeat to passenger side.



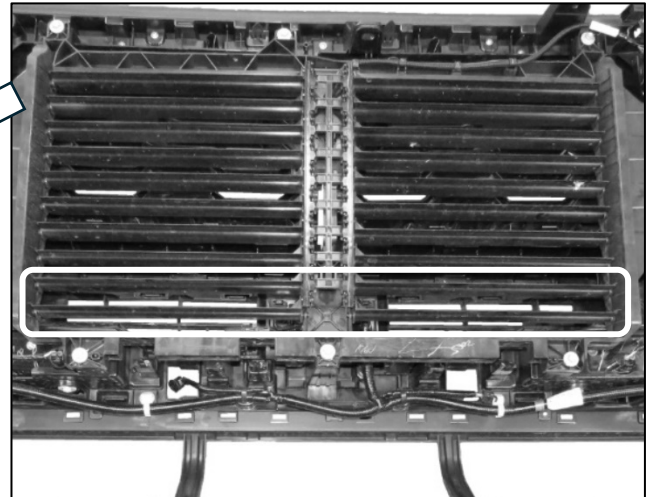
(Fig 6) Remove 2 bolts attaching fender liner to bottom of bumper. Once fender liner is out of the way, remove hidden bolt attaching bumper to frame.



(Fig 7) Under center of bumper, remove bolts from lower valance.



(Fig 8) With the top, bottom, and sides unclipped and unbolted, gently pull straight out on the sides (arrows) to take off the front clip.



(Fig 9) Remove bottom two shutter louvers from front clip. The shutters are held in place by dowels on each end. To remove, simply bend and twist to gain the necessary clearance to slide out of the assembly.



(Fig 10) After louvers have been removed, reinstall bumper and grille

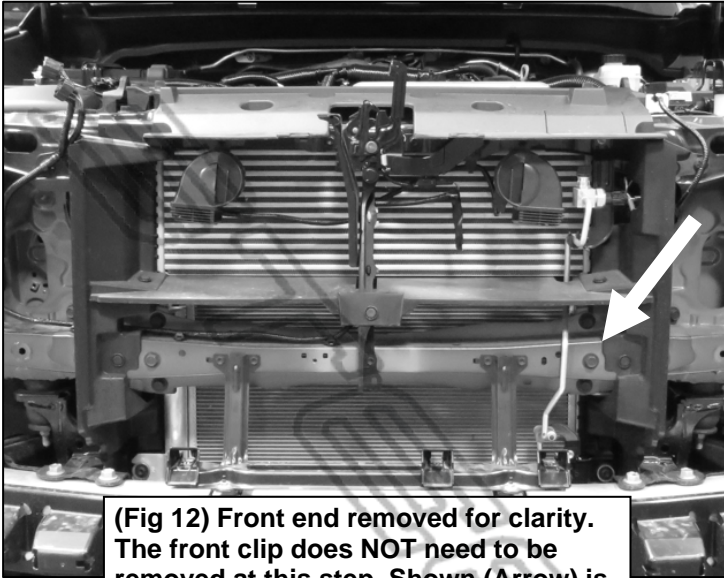
2

Follow (Fig 11 – 22) to attach Support and Frame Mounting Brackets, then attach Grille Guard to Brackets. Complete each step on both Passenger and Driver side. Ensure all hardware is hand tightened at this point.

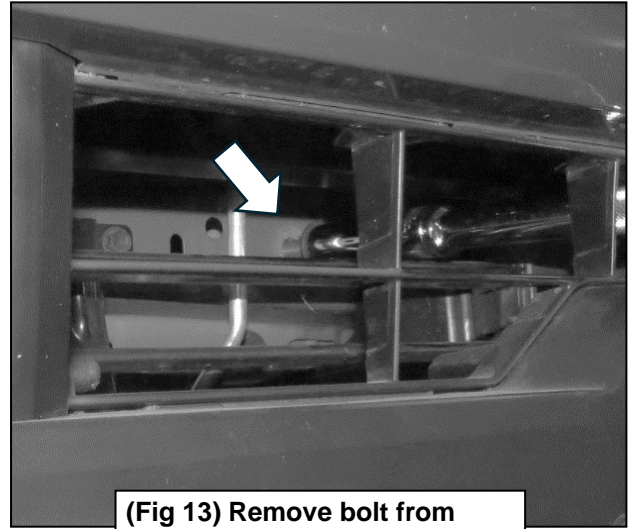


(Fig 11) Locate area circled to attach Support Bracket

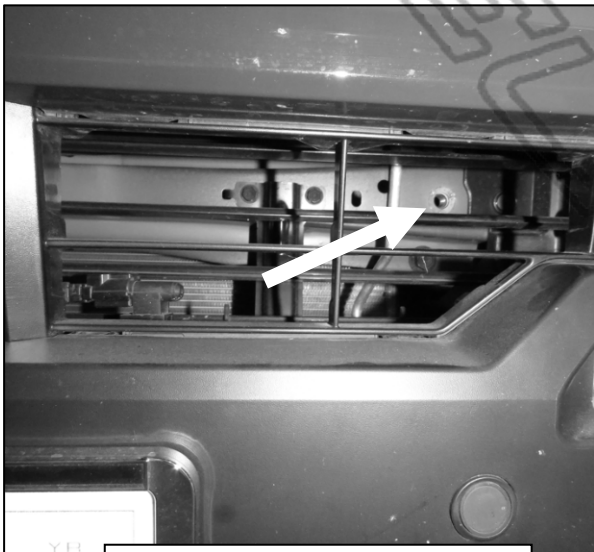
Driver/left Side Installation Pictured



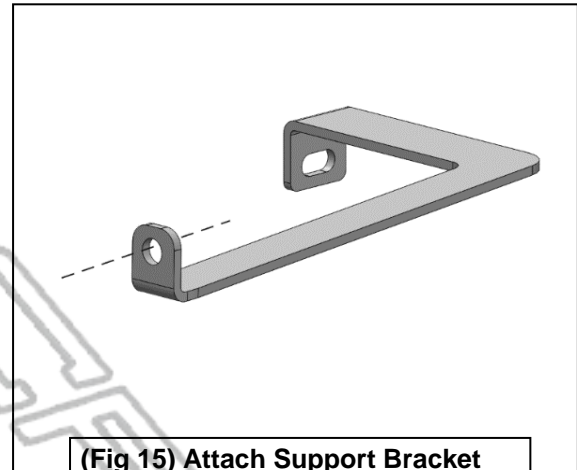
(Fig 12) Front end removed for clarity. The front clip does NOT need to be removed at this step. Shown (Arrow) is bolt needing to be removed in Fig 13.



(Fig 13) Remove bolt from behind bumper grille



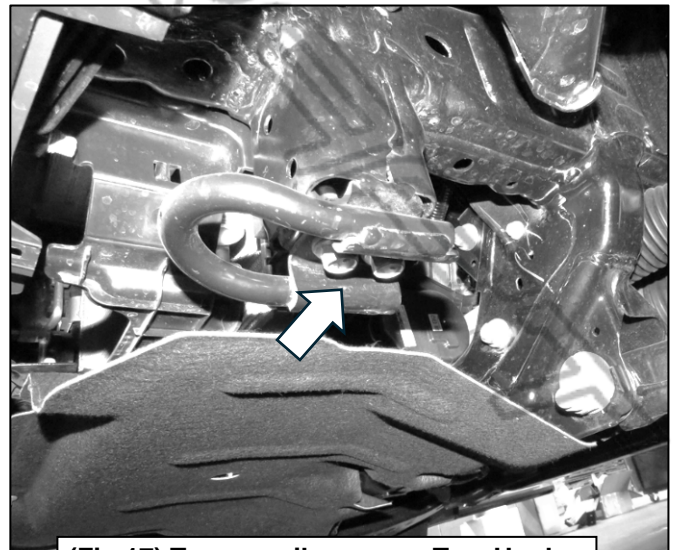
(Fig 14) Picture of bolt removed



(Fig 15) Attach Support Bracket reusing bolt from Fig 13



(Fig 16) Attached Support Bracket with OE bolt



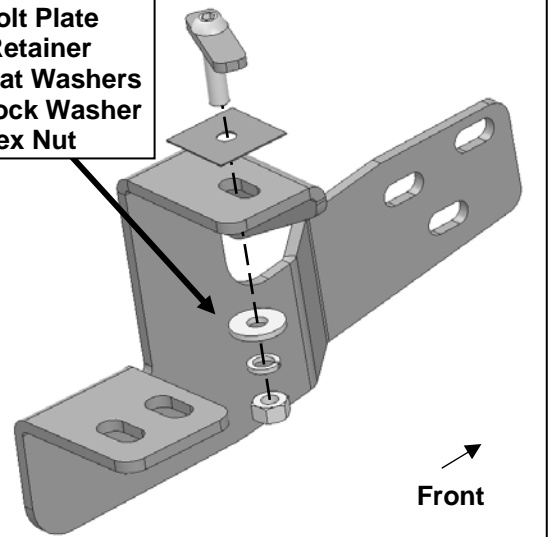
(Fig 17) Temporarily remove Tow Hooks (if equipped) by removing bolts (Arrow). Factory bolts will be re-used in Fig 20

Driver/left Side Installation Pictured

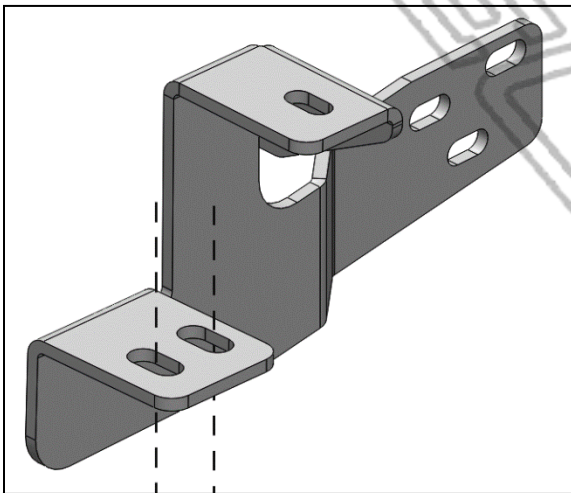


(Fig 18) Move under the driver side frame rail. Insert bolt plate into 2nd hole from factory bumper mount. Use Plastic Retainer to keep Bolt Plate in place.

- (1) 10mm Bolt Plate
- (1) Plastic Retainer
- (1) 10mm Flat Washers
- (1) 10mm Lock Washer
- (1) 10mm Hex Nut



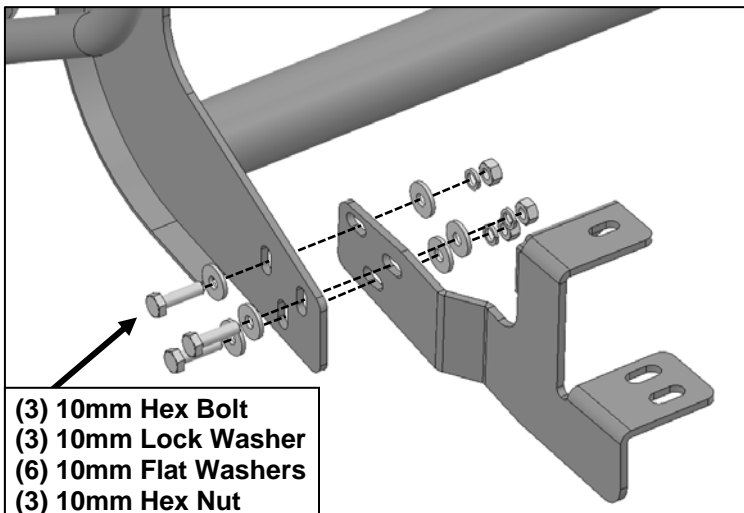
(Fig 19) Attach Driver/Left Frame Mounting Bracket to Bolt Plate from Fig 18



(Fig 20) Attach Driver/Left Frame Mounting Bracket reusing Bolts from Fig 17



(Fig 21) Attached Frame Mounting Bracket to Driver/Left side

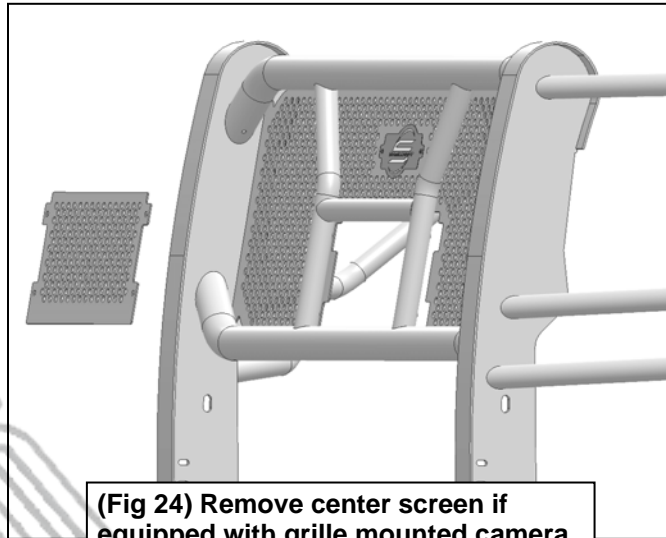


- (3) 10mm Hex Bolt
- (3) 10mm Lock Washer
- (6) 10mm Flat Washers
- (3) 10mm Hex Nut

(Fig 22) Attach Grille Guard to Frame Mounting Bracket

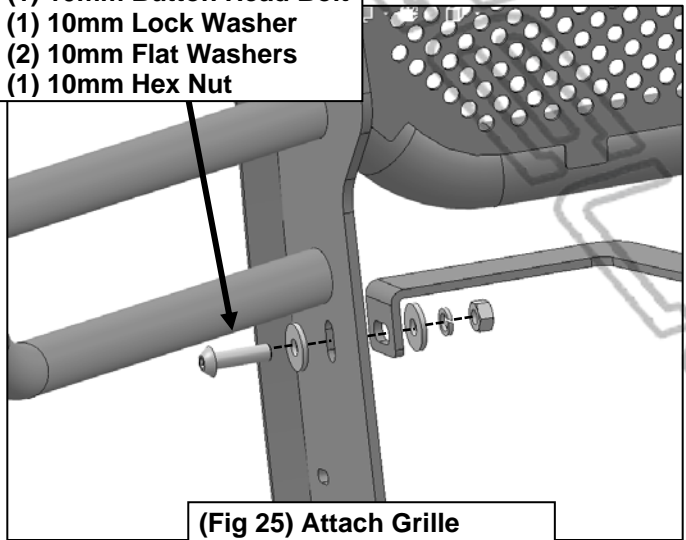


(Fig 23) Attached Grille Guard to Frame Mounting Bracket

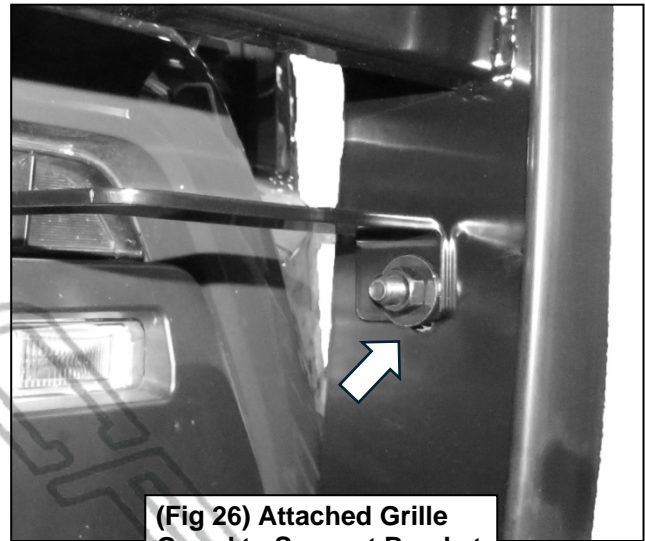


(Fig 24) Remove center screen if equipped with grille mounted camera.

- (1) 10mm Button Head Bolt
- (1) 10mm Lock Washer
- (2) 10mm Flat Washers
- (1) 10mm Hex Nut



(Fig 25) Attach Grille Guard to Support Bracket



(Fig 26) Attached Grille Guard to Support Bracket

3 Ensure the Grille Guard is level and clearing the Adaptive Cruise Control (Fig 27), then tighten all fasteners. Installation is complete. Do periodic inspections of the installation to make sure that all hardware is secure and tight.



(Fig 27) Ensure the Grille Guard bar does not block or interfere with the Adaptive Cruise Control Sensor (white box)