

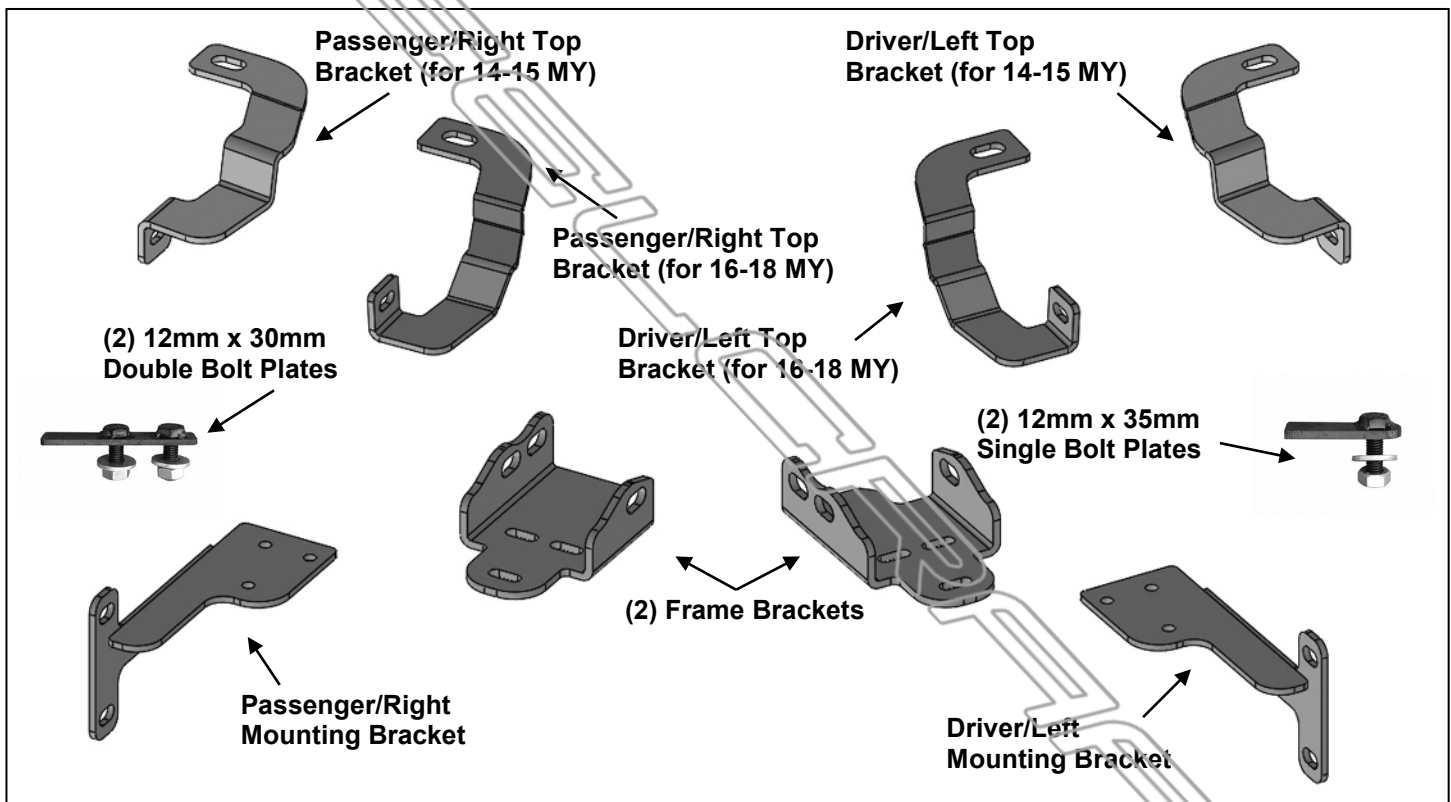


# **INSTALLATION INSTRUCTIONS**

**GRILLE GUARD  
2014-2018 GMC SIERRA1500**

**PARTS LIST:**

1	Grille Guard Assembly	6	12mm Lock Washers
2	Frame Brackets	6	12-1.75mm Hex Nuts
1	Driver/Left Side Mounting Bracket	4	10-1.50mm x 30mm Hex Bolts
1	Passenger/Right Side Mounting Bracket	8	10mm x 27mm x 3mm Flat Washers
1	Driver/Left Top Bracket (for 14-15 MY)	4	10mm Lock Washers
1	Passenger/Right Top Bracket (for 14-15 MY)	4	10-1.50mm Hex Nuts
1	Driver/Left Top Bracket (for 16-18 MY)	2	8-1.25mm x 25mm Button Head Allen Bolts
1	Passenger/Right Top Bracket (for 16-18 MY)	6	8-1.25mm x 25mm Hex Bolts
2	50mm x 150mm Adhesive Foam Tapes	10	8mm x 16mm x 1.6mm Flat Washers
2	12-1.75mm x 30mm Double Bolt Plates	6	8mm Lock Washers
2	12-1.75mm x 35mm Single Bolt Plates	2	8-1.25mm Nylon Lock Nuts
6	12mm x 24mm x 2.5mm Flat Washers	1	Allen Wrench S=5



**PROCEDURE:**

**REMOVE CONTENTS FROM BOX AND VERIFY ALL PARTS ARE PRESENT. READ INSTRUCTIONS CAREFULLY. DO NOT ATTEMPT INSTALLATION ALONE; PERSONAL INJURY OR DAMAGE TO THE VEHICLE MAY RESULT. CUTTING MAY BE REQUIRED. ASSISTANCE IS HIGHLY RECOMMENDED. INSTALLATION MAY INTERFERE WITH FRONT MOUNTED SENSORS.**

1. Start installation from the front of the vehicle. Locate and remove the screws attaching the ends of the plastic body panel, (fascia), to the fenders, (**Figures 1 & 2**). **NOTE:** Fascia body panel fills the area between the headlights and the top of the bumper and must be removed to access the bumper bolts.
2. From behind the bumper, release the clips attaching the fascia panel to the bottom of the grille and remove the panel, (**Figures 3 & 4**).

3. Next, open the hood and remove the plastic cover from the top of the radiator and the grille, **(Figure 5)**. Locate and remove the hardware attaching the top and bottom of the grille, **(Figures 6 & 7)**. Carefully pull the grille straight out from the vehicle.
4. Determine if the vehicle is equipped with tow hooks, **(Figure 8)**. **IMPORTANT:** Tow hooks cannot be reinstalled with the Grille Guard.

**Tow Hook equipped vehicles:**

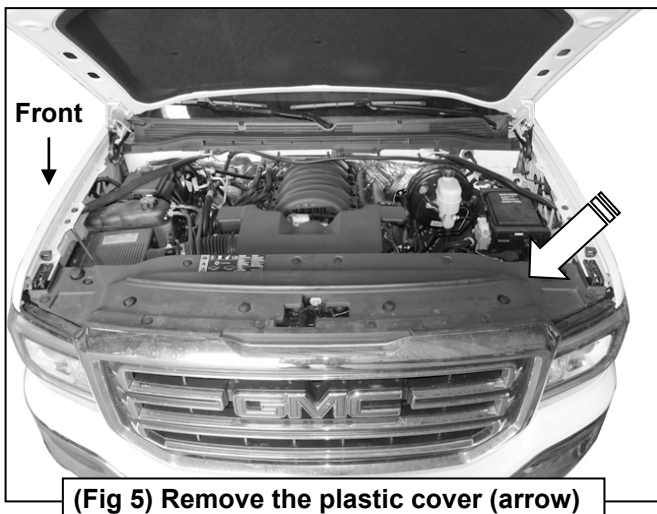
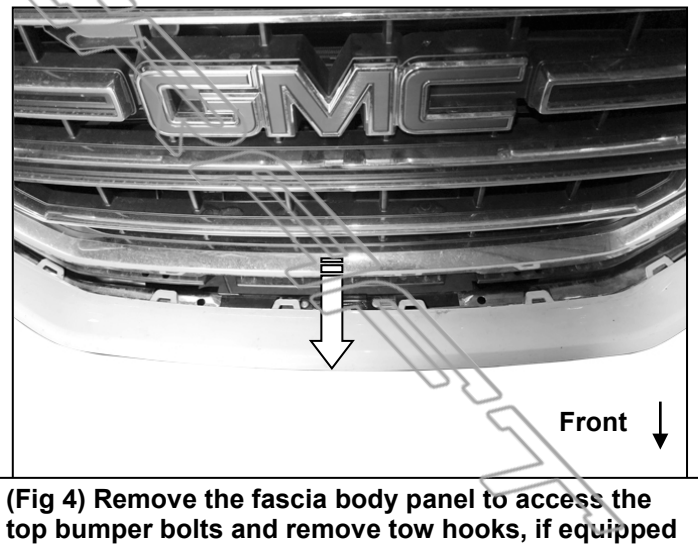
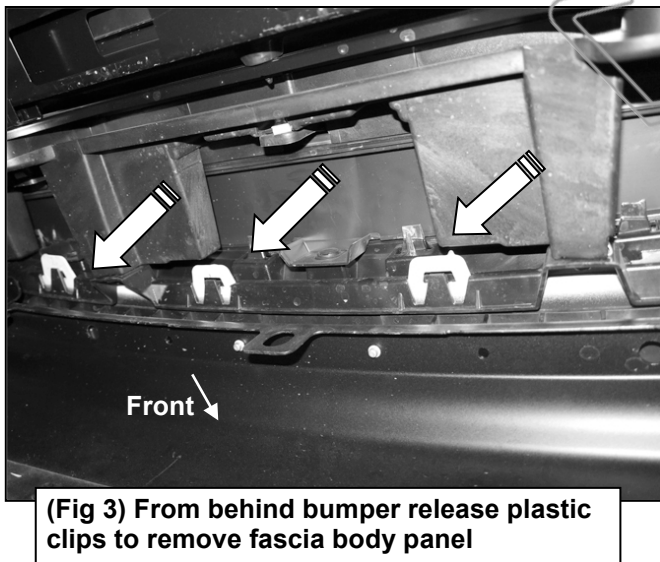
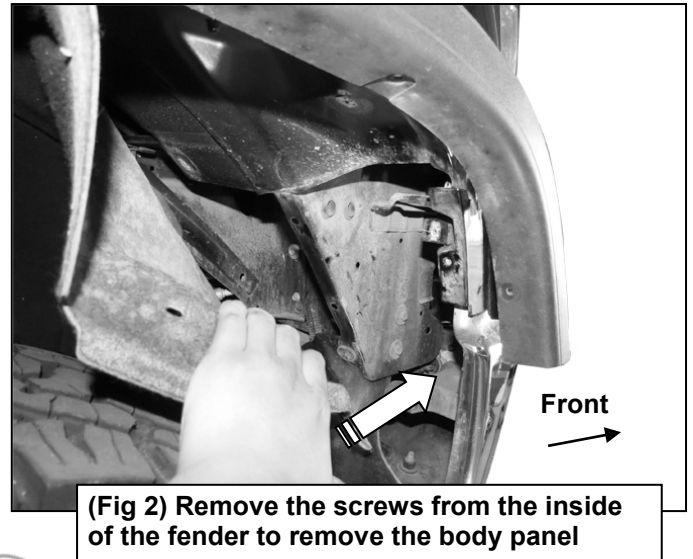
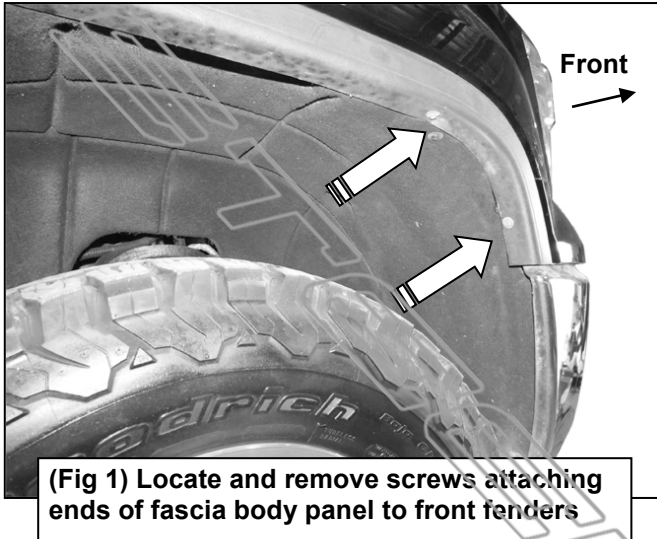
- a. On the passenger side, locate the (2) bumper bracket bolts from the top of the bumper, **(Figure 9)**. Remove the bottom bolt and loosen the top bumper bolt to help tilt the bumper and remove the long hex bolt through the tow hook. Repeat this Step to remove driver side tow hook.
- b. **NOTE:** If necessary, loosen and/or completely remove the outer support Brackets attaching the bumper to the frame to help tilt the bumper forward, **(Figure 10)**.
- c. Once both tow hooks have been removed and the openings have been checked for Bracket clearance, reinstall the bottom bumper Bracket bolts and support bracket hardware, if removed.
- d. Only tighten the bottom bumper bracket bolts and outer support Bracket hardware at this time.
- e. Proceed to **Step 5**.

**Vehicles without tow hooks:**

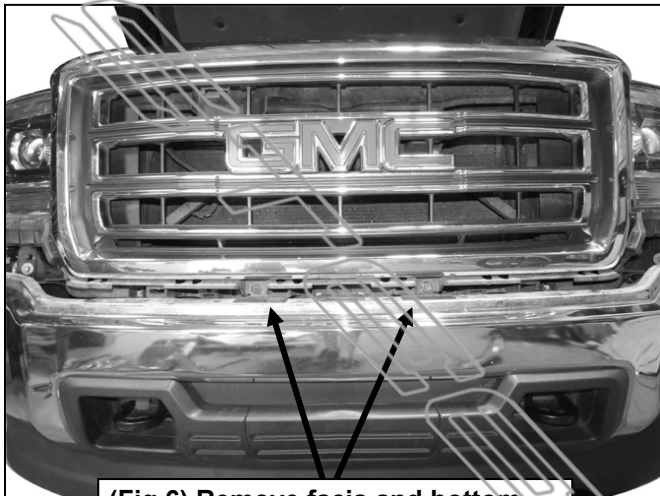
- a. Cut out the lower portion of the indented area in both sides of the plastic bumper insert to clear the Brackets, **(Figures 11 & 12)**. **IMPORTANT:** Make several small cuts for best fit.
5. Starting on the passenger side, select (1) Frame Bracket. Insert the Bracket through the opening in the passenger side of the plastic bumper. **(Figures 13 & 14)**. Line up the (3) holes in the Bracket with the holes in the end of the frame.
6. Select (1) 12mm Double Bolt Plate, **(Figure 15A)**. Insert the Bolt Plate into the end of the frame channel, through the (2) holes in the side of the frame and out through the Bracket. Secure the Bracket to the Double Bolt Plate with (2) 12mm Flat Washers, (2) 12mm Lock Washers and (2) 12mm Hex Nuts, **(Figure 15B)**. Snug but do not fully tighten hardware at this time. Repeat this **Step** to install the 12mm x 35mm Single Bolt Plate, **(Figure 16A)**, into the remaining hole in the other side of the frame channel and through the Bracket, **(Figure 16B)**.
7. Next, select the passenger side Mounting Bracket, **(Figure 17)**. Attach the Mounting Bracket to the bottom of the Frame Bracket with (3) 8mm x 25mm Hex Bolts, (3) 8mm Lock Washers and (3) 8mm Flat Washers, **(Figures 17 & 18)**. Do not tighten hardware at this time.
8. Repeat **Steps 5—7** to install the driver side Frame and Mounting Brackets.
9. Starting on the passenger side, locate and remove the top factory bumper bolt, **(Figure 19)**. Depending on the model year of the vehicle, select either the passenger side 14-15 Top Bracket or passenger side 16-18 Top Bracket, **(Figure 20)**. Apply a layer of Adhesive Foam Tape to the Top Bracket to protect the finish on the bumper, **(Figure 21)**. Reuse the factory top bumper bolt to attach the Top Bracket to the vehicle, **(Figures 22 & 23)**. Leave hardware loose at this time.
10. Repeat **Step 9** to attach the appropriate driver side Top Bracket to the top of the bumper bracket.
11. With assistance, hold the Grille Guard up in position on the outside of the Mounting Brackets. Attach the Grille Guard to the Brackets with (4) 10mm Hex Bolts, (8) 10mm Flat Washers, (4) 10mm Lock Washers and (4) 10mm Hex Nuts, **(Figures 24—26)**. Snug but do not tighten hardware.
12. Check the Grille Guard alignment with the vehicle. Adjust as required then tighten first the Frame Bracket hardware, then the (6) 8mm Hex Bolts securing the Mounting Brackets to the bottom of the Frame Brackets. Do not fully tighten the Grille Guard to Bracket hardware at this time.
13. Line up the outer bent end of the passenger side Top Support Bracket with the hole in the Grille Guard upright. Attach the Top Bracket to the Grille Guard with (1) 8mm Button Head Bolt, (2) 8mm Flat Washers and (1) 8mm Nylon Lock Nut, **(Figures 24—26)**.
14. Repeat **Step 13** to attach the driver side Top Support Bracket to the Grille Guard.
15. Level and adjust the Grille Guard and fully tighten all Bracket to frame hardware only.
16. Temporarily remove the Grille Guard and reinstall the plastic body panel, (fascia), grille and cover.
17. Repeat **Steps 11—15** to reinstall the Grille Guard.
18. Do periodic inspections to the installation to make sure that all hardware is secure and tight.

To protect your investment, wax this product after installing. Regular waxing is recommended to add a protective layer over the finish. Do not use any type of polish or wax that may contain abrasives that could damage the finish. Mild soap may be used to clean the Grille Guard.

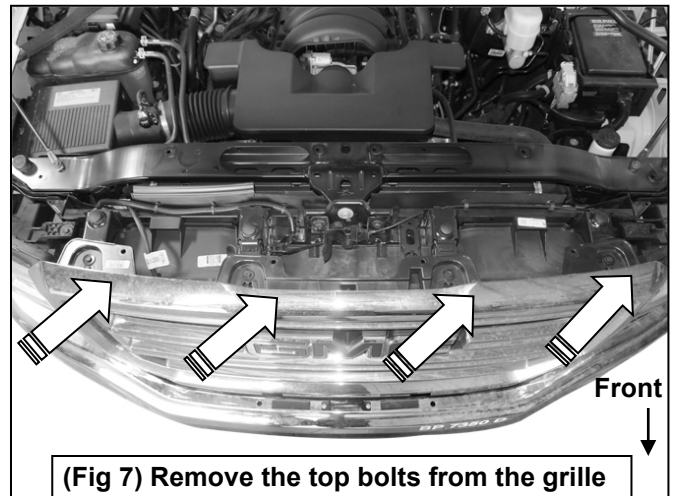
### Passenger/right Installation Pictured



Passenger/right Installation Pictured



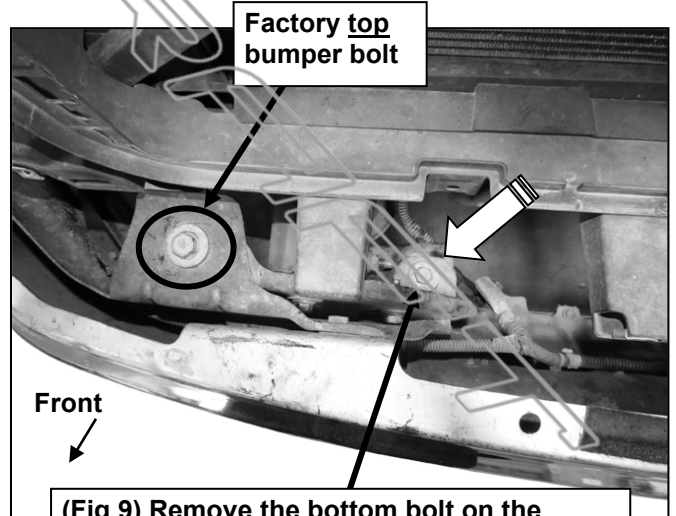
(Fig 6) Remove fascia and bottom bolts attaching grille to the vehicle



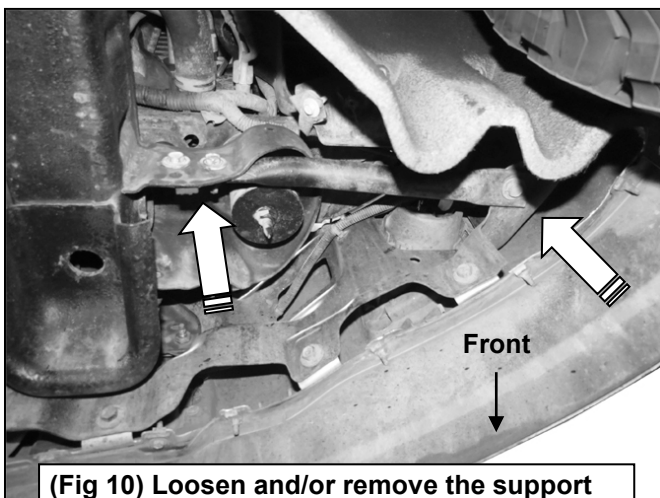
(Fig 7) Remove the top bolts from the grille and carefully pull and remove grille



(Fig 8) Opening for tow hook pictured



(Fig 9) Remove the bottom bolt on the bumper Bracket, (passenger side pictured)

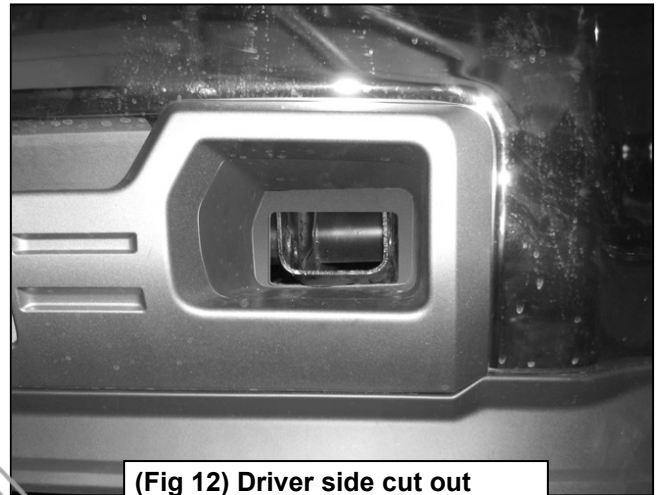


(Fig 10) Loosen and/or remove the support bracket attaching the bumper to the frame to help tilt bumper, (passenger side pictured)

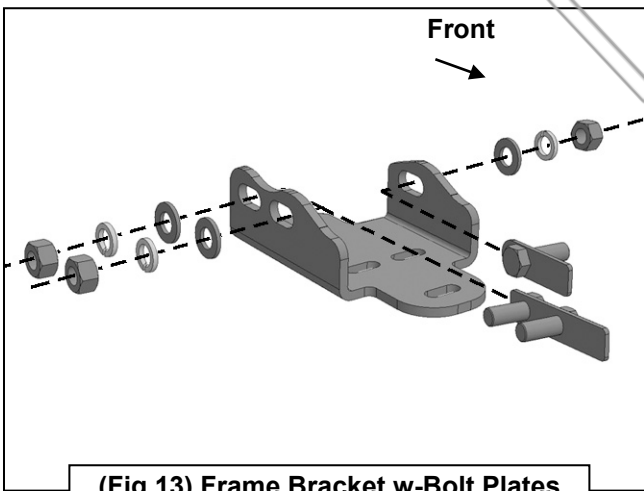
### Passenger/right Installation Pictured



(Fig 11) "No tow hook" model pictured

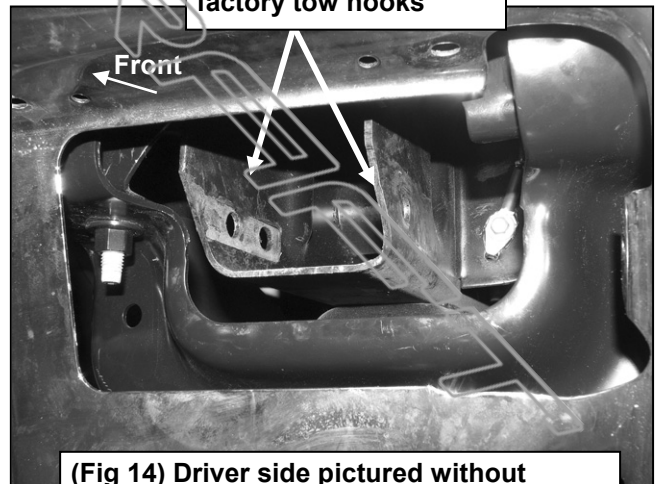


(Fig 12) Driver side cut out illustrated for reference only

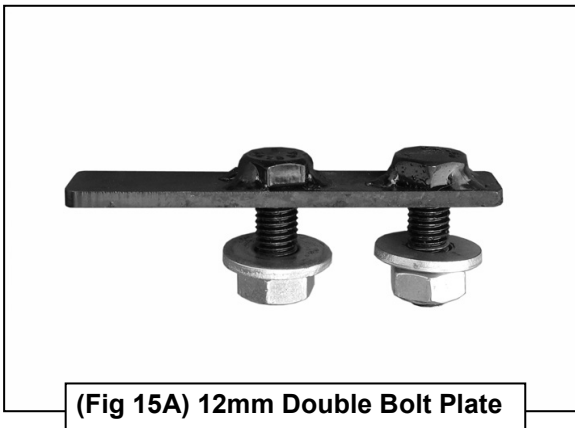


(Fig 13) Frame Bracket w-Bolt Plates

Locate mounting holes  
in end of frame for  
factory tow hooks

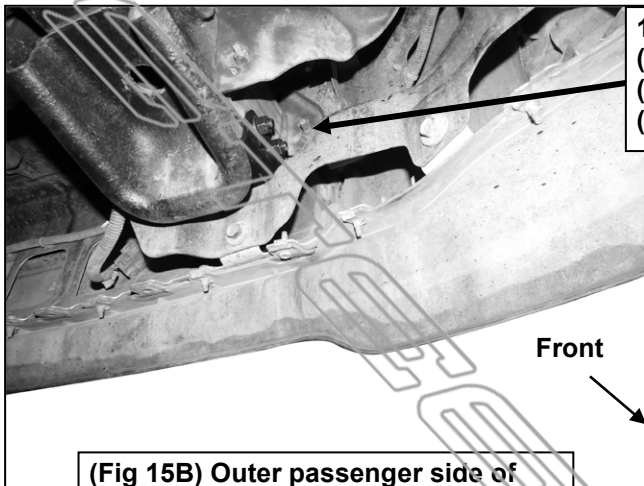


(Fig 14) Driver side pictured without plastic panel for instruction purposes



(Fig 15A) 12mm Double Bolt Plate

### Passenger/right Installation Pictured

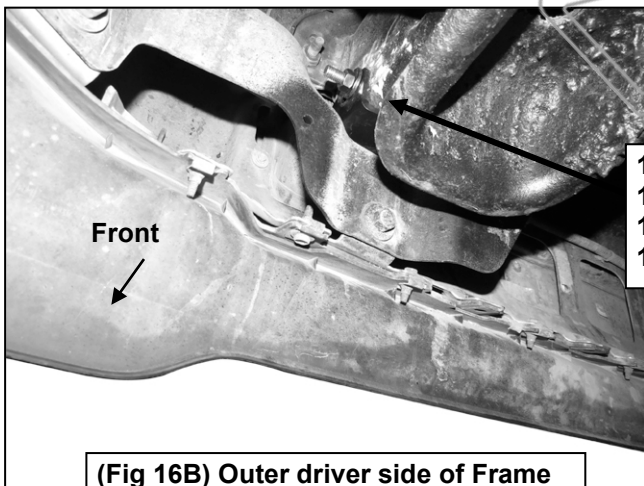


- 12mm Double Bolt Plate
- (2) 12mm Flat Washers
- (2) 12mm Lock Washers
- (2) 12mm Hex Nuts

(Fig 15B) Outer passenger side of Frame Bracket with double bolt plate



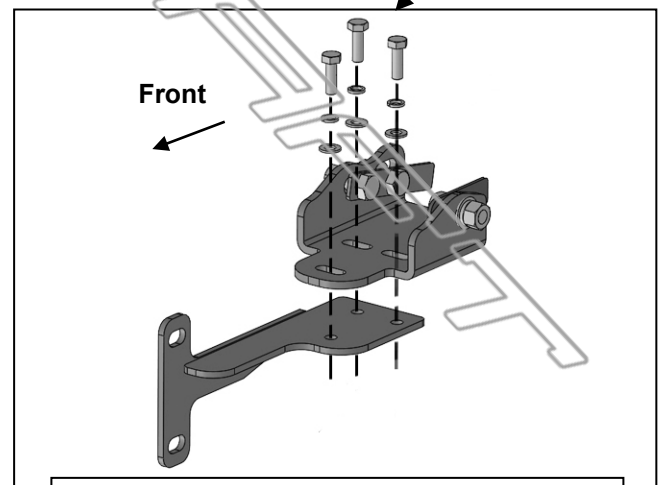
Fig 16A Single Bolt Plate



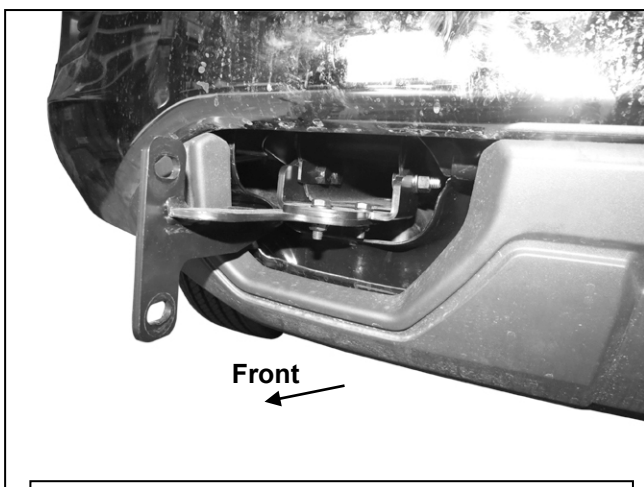
- 12mm Bolt Plate
- 12mm Flat Washer
- 12mm Lock Washer
- 12mm Hex Nut

(Fig 16B) Outer driver side of Frame Bracket with single bolt plate

- Bolt the Mounting Bracket to the bottom of the Frame Bracket with:
- (3) 8mm x 25mm Hex Bolts
  - (3) 8mm Lock Washers
  - (3) 8mm Flat Washers

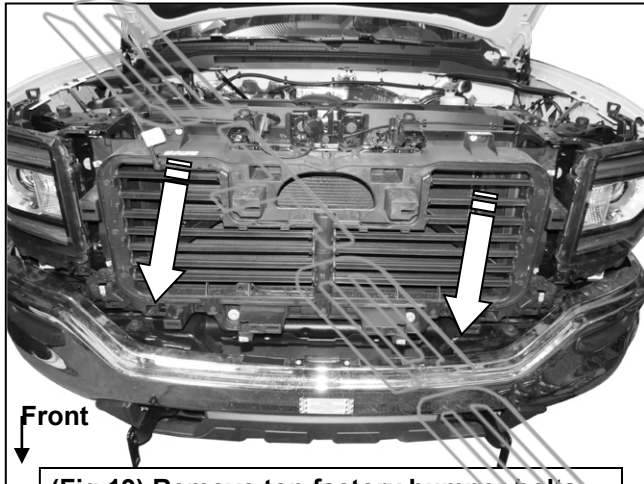


(Fig 17) Passenger side Mounting Bracket attached to Frame Bracket illustrated

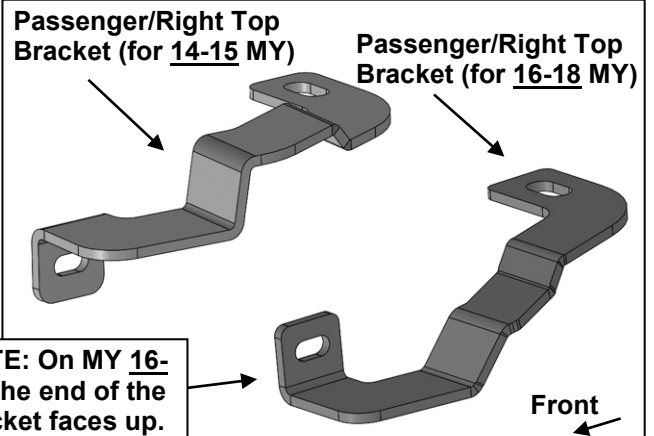


(Fig 18) Passenger side Mounting Bracket attached to the bottom of the Frame bracket

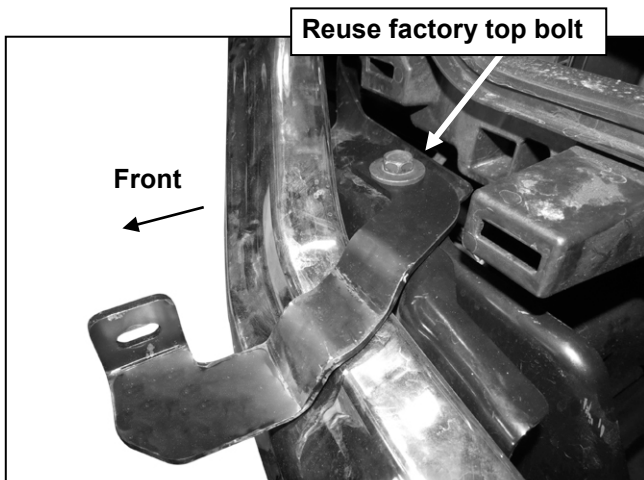
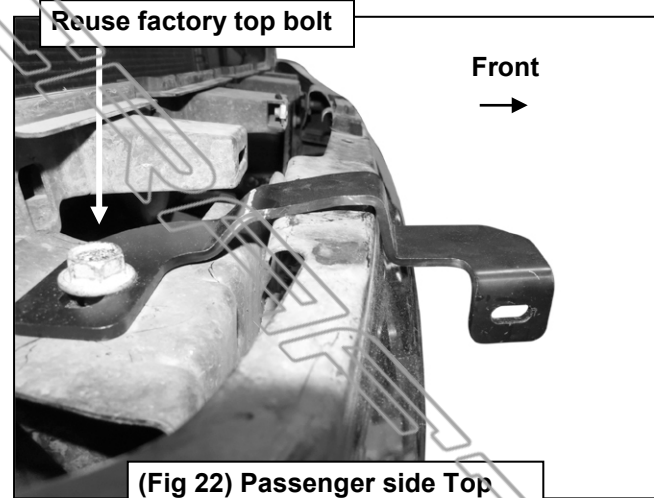
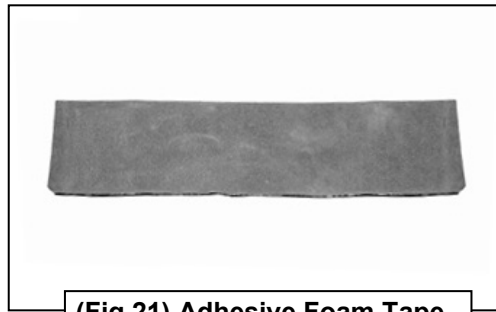
### Passenger/right Installation Pictured



(Fig 19) Remove top factory bumper bolts



(Fig 20) Passenger side Top Brackets illustrated



(Fig 23) Passenger side Top Bracket for model years 16-18



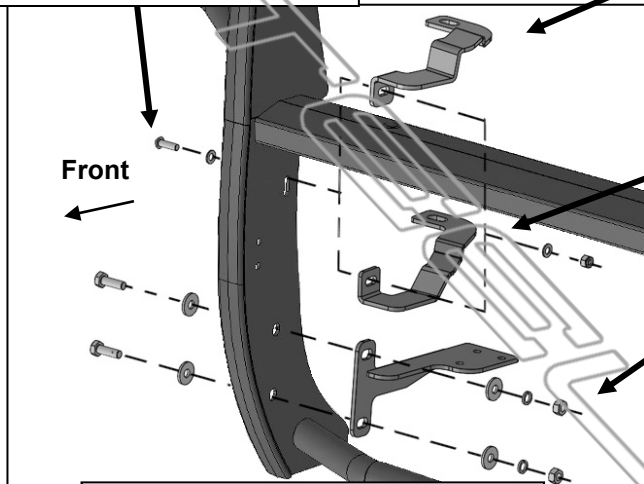
### Passenger/right Installation Pictured

Bolt the Top Bracket to the Grille Guard with:  
(1) 8mm Button Head Bolt  
(2) 8mm Flat Washers  
(1) 8mm Nylon Lock Nut

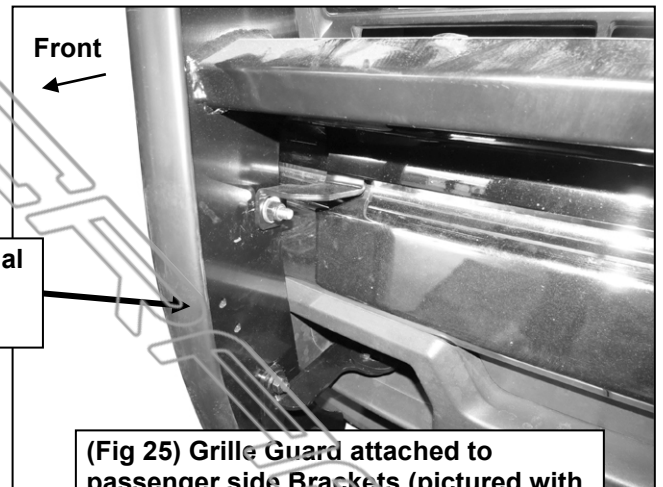
Model year 14-15 Passenger side Top Bracket

Model year 16-18 Passenger side Top Bracket

(2) 10mm Hex Bolts  
(4) 10mm Flat Washers  
(2) 10mm Lock Washers  
(2) 10mm Hex Nuts

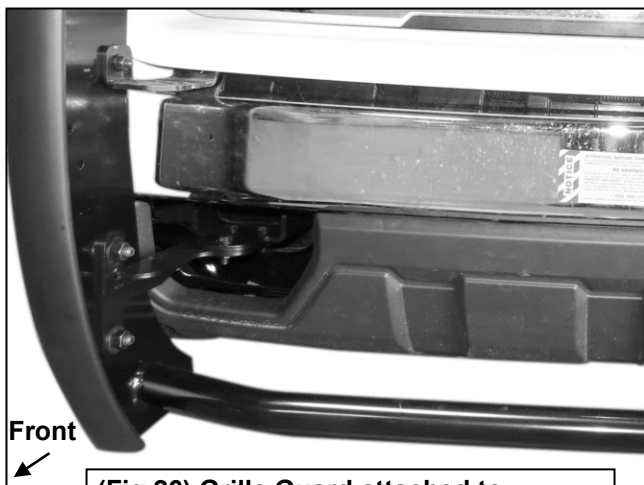


(Fig 24) Passenger side Brackets attached to Grille Guard



Mounting holes for optional parking sensor relocation kit (available separately)

(Fig 25) Grille Guard attached to passenger side Brackets (pictured with MY 14-15 Top Bracket)



(Fig 26) Grille Guard attached to passenger side Brackets (pictured with MY 16-18 Top Bracket)

