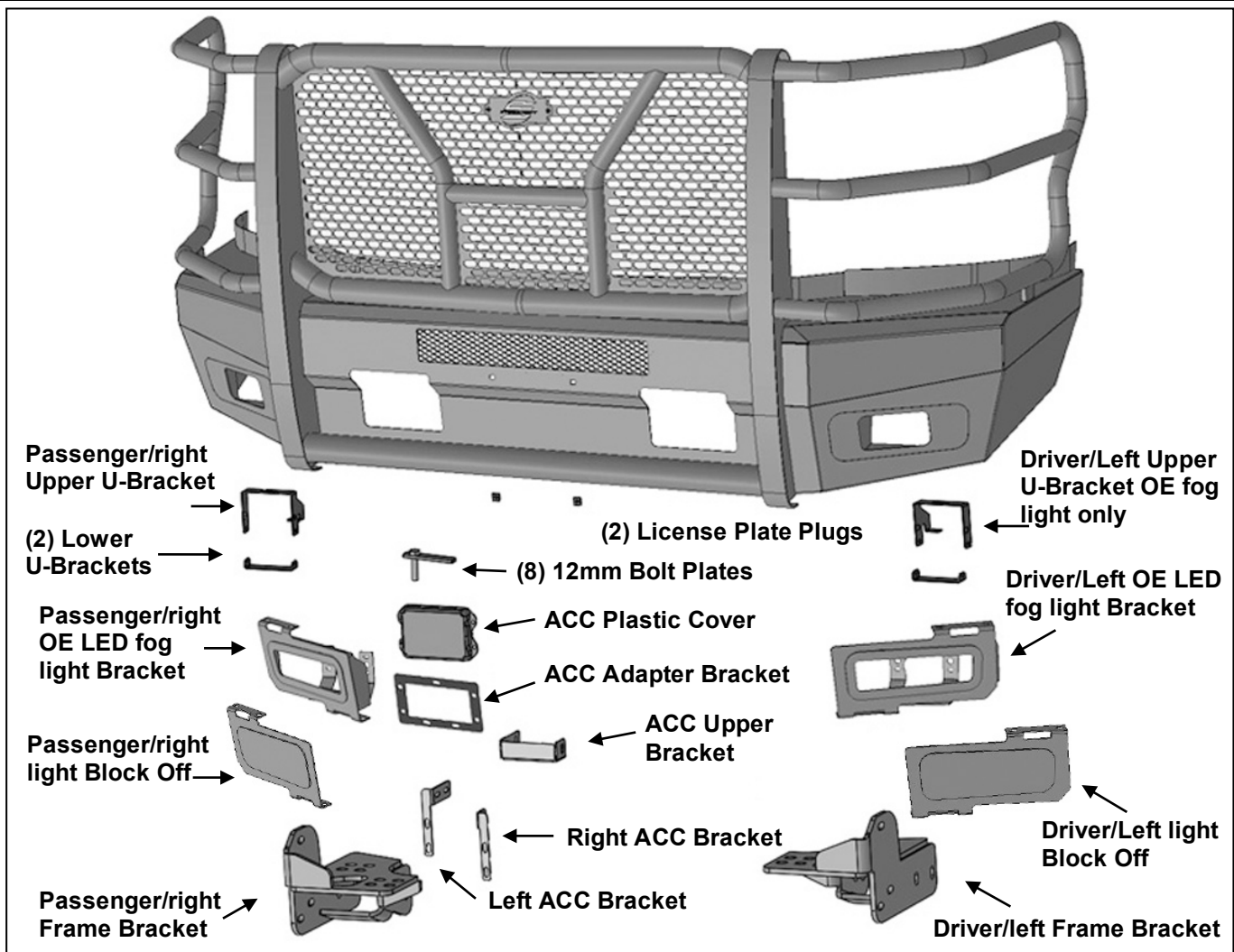


**ELEVATION FRONT BUMPER
2017-21 FORD SUPER DUTY**

PARTS LIST:

1	Elevation Front Bumper Assembly	14	12-1.75mm x 50mm Hex Bolts
1	Driver/left Frame Bracket	36	12mm x 32mm x 3mm Flat Washers
1	Passenger/right Frame Bracket	22	12mm Lock Washers
1	Driver/left Light Mount (OEM LED)	22	12-1.75mm Hex Nuts
1	Passenger/right Light Mount (OEM LED)	2	8-1.25mm x 30mm Hex Bolts
1	Driver/left Light Block Off Plate	2	8-1.25mm x 20mm Hex Bolts
1	Passenger/right Light Block Off Plate	4	8mm x 28mm x 3mm Large Flat Washers
1	Driver/left Upper U-Bracket (OEM fog light)	4	8mm x 24mm x 2mm STD Flat Washers
1	Passenger/right Upper U-Bracket (OEM fog light)	4	8mm Nylon Lock Nuts
2	Lower U-Brackets (OEM fog light only)	3	6mm x 25mm Hex Bolts
1	ACC Adapter Bracket	6	6mm x 25mm Button Head Bolts
1	Adaptive Cruise Control, (ACC) Driver/left Bracket	4	6mm x 16mm Hex Bolts
1	ACC Passenger/right side Bracket	19	6mm x 18mm x 1.6mm Flat Washers
1	ACC Upper Bracket	13	6mm Lock Washers
1	ACC Plastic Cover	9	6mm Hex Nuts
2	Plastic Plugs for license plate mount	1	4mm Wrench
8	12mm x 50mm Bolt Plates	1	2.5mm Wrench



PROCEDURE:

REMOVE CONTENTS FROM BOX. VERIFY ALL PARTS ARE PRESENT. READ INSTRUCTIONS CAREFULLY BEFORE STARTING INSTALLATION. BUMPER IS HEAVY, ASSISTANCE IS HIGHLY RECOMMENDED TO AVOID POSSIBLE INJURY OR DAMAGE TO THE VEHICLE.

1. Remove the license plate and bracket. On models with factory fog lights, unplug both lights. Unplug and remove the adaptive cruise control, if equipped. Release the wiring harness from the clips attached to the back of the bumper, **(Figures 1 & 2)**. Move harness away from bumper.
2. Next, remove the plastic lower air dam from the bottom of the bumper, **(Figure 3)**. Remove the bumper supports attaching the outer ends of the bumper to the outside of the frame, **(Figure 4)**. Remove the plastic covers from the tow hooks to uncover the bumper bolts, **(Figures 5 & 6)**.
3. Place blocks or jack stands under the front bumper to support it during mounting bolt removal. Once the bumper has been safely supported, remove the (8) factory bumper bolts, **(Figure 6)**. Carefully slide the bumper off over the tow hooks. **WARNING!** Assistance is required to hold the bumper in place during bolt removal to prevent the bumper from falling.
4. Remove the tow hooks from the end of the frame, **(Figure 7)**. Next, remove the factory hex nuts, lower frame extensions and double bolt plates from the end of the frame, **(Figures 2 & 7)**.
5. Slide the Driver/left Frame Bracket over the end of the frame. Line up the slots in the sides of the Bracket with the holes in the frame. Select (4) 12mm Bolt Plates. Insert the Bolt Plates into the open end of the frame and out through the Bracket. Attach the Bracket to the Bolt Plates with (4) 12mm Flat Washers, (4) 12mm Lock Washers and (4) 12mm Hex Nuts, **(Figures 8 & 9)**. Leave hardware loose.
6. Attach the top of the Bracket to the top of the frame with the included (4) 12mm x 50mm Hex Bolts, (8) 12mm Flat Washers, (4) 12mm Lock Washers and (4) 12mm Hex Nuts, **(Figures 10 & 11)**. Do not fully tighten hardware at this time.
7. Reuse the factory hardware to attach the driver/left tow hook to the bottom of the mounting tab on the Frame Bracket, **(Figure 11)**. **NOTE:** On models with **ACC sensor, driver/left side tow hook cannot be reinstalled.**
8. Repeat **Steps 5—7** to install the passenger/right Frame Bracket and tow hook.
9. With assistance, carefully position the Bumper Assembly up to the outside of the Brackets. Temporarily support the weight of the Bumper. **WARNING:** To avoid possible injury or damage to the vehicle, do not proceed until the bumper is fully and safely supported.
10. Line up the (3) holes in the driver/left side of the Bumper with the (3) holes in the Frame Bracket. Attach the Bumper to the Bracket with the included (3) 12mm x 50mm Hex Bolts, (6) 12mm Flat Washers, (3) 12mm Lock Washers and (3) 12mm Hex Nuts, **(Figure 12)**. Do not fully tighten hardware at this time. Repeat to attach the passenger/right side of the Bumper to the Bracket.
11. Level and adjust the bumper and fully tighten all 12mm hardware to 65-70ft-lbs.
12. Determine if vehicle is equipped with an adaptive cruise control, (ACC), and note the design.

Vehicles without Adaptive Cruise Control, skip to Step 13.

All Models with Adaptive Cruise Control.

- a. Select the Left ACC Bracket, Right ACC Bracket and ACC Upper Bracket. Attach the Left and Right ACC Brackets to the ACC Upper Bracket with (3) 6mm x 25mm Hex Bolts, (6) 6mm Flat Washers, (3) 6mm Lock Washers and (3) 6mm Hex Nuts, **(Figure 13)**. Do not tighten hardware

Vehicles with "late" style ACC with tabs on top and bottom.

- a. Select the Mounting Bracket Adapter Plate, **(Figure 14)**.
- b. Attach the ACC sensor to the back of the Adapter with the included (3) 6mm x 25mm Button Head Bolts, (6) 6mm Flat Washers, (3) 6mm Lock Washers and (3) 6mm Hex Nuts, **(Figure 14)**.
- c. Insert (3) 6mm x 25mm Button Head Bolts through the (3) holes on the ACC Plastic Cover, the ACC Bracket and out through the adaptive cruise control Adapter Plate. Secure with (3) 6mm Flat Washers, (3) 6mm Lock Washers and (3) 6mm Hex Nuts, **(Figure 15)**.

Vehicles with early style ACC with mounting tabs on ends.

- a. Insert (3) 6mm x 25mm Button Head Bolts through the (3) holes on the ACC Plastic Cover, the ACC Bracket and out through the adaptive cruise control, (or adapter and late style ACC). Secure with (3) 6mm Flat Washers, (3) 6mm Lock Washers and (3) 6mm Hex Nuts, **(Figure 16)**.

**ELEVATION FRONT BUMPER
2017-21 FORD SUPER DUTY**

Attach the ACC Bracket and sensor assembly to the mounting tab for the tow hook on the driver/left Frame Bracket with (2) 8mm x 30mm Hex Bolts, (4) 8mm x 28mm Large Flat Washers and (2) 8mm Nylon Lock Nuts, **(Figure 17)**. Tighten all hardware.

13. Determine if model is equipped with fog lights and style of fog light.

Models with rectangular factory fog lights:

- a. Move to the driver/left fog light opening, **(Figure 18)**. Select the passenger/right top U-Bracket, **(Figure 19)**. Attach the Bracket to the slot in the light opening with the included (1) 8mm x 20mm Hex Bolt, (2) 8mm x 24mm STD Flat Washers and (1) 8mm Nylon Lock Nut, **(Figure 19)**.
- b. Use a flat blade screwdriver to carefully pop out the tabs on the side of the fog light bracket attaching the light to the bracket, **(Figure 1)**. Pop the light out of the plastic bracket housing.
- c. Remove the adjustment screw and spring from the light assembly.
- d. Spread the sides of the Bracket enough to slide the OE plastic fog light between and into the Bracket, **(Figure 20)**. Select (1) Lower U-Bracket. Attach the Lower Bracket to the Upper Bracket with (2) 6mm x 16mm Hex Bolts, (2) 6mm Lock Washers and (2) 6mm Flat Washers, **(Figure 21)**.
- e. Insert the factory spring between the tab on the Bracket and the light. Insert the screw through the tab, spring and into the fog light, **(Figure 21)**.
- f. Repeat to install the passenger/right fog light.

Models with optional narrow factory LED Fog Light (2020 models)

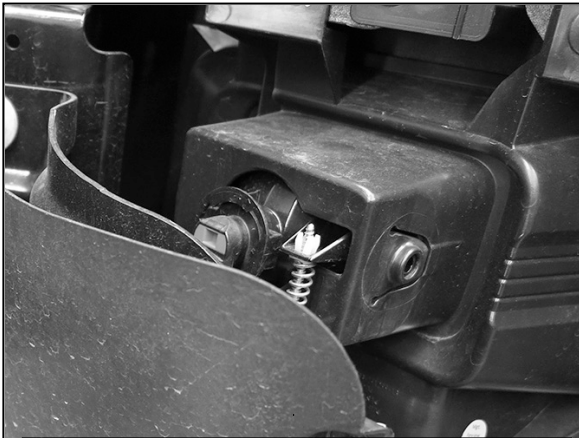
- a. Remove the light mount from the bumper, **(Figure 22)**. Remove the screws attaching the light to the plastic mount, **(Figure 23)**.
- b. Remove the preinstalled driver/left rectangular fog light mount insert from the back of the Elevation Bumper, **(Figure 24)**.
- c. Select the driver/left LED light mount insert. Reuse the hardware to attach the Mount to the tabs on the back of the Bumper, **(Figure 25)**.
- d. Reuse the factory screws to attach the LED fog light to the LED light mount, **(Figure 25)**.
- e. Repeat previous Steps to install the passenger/right LED Light Mount and light.

Models without fog lights.

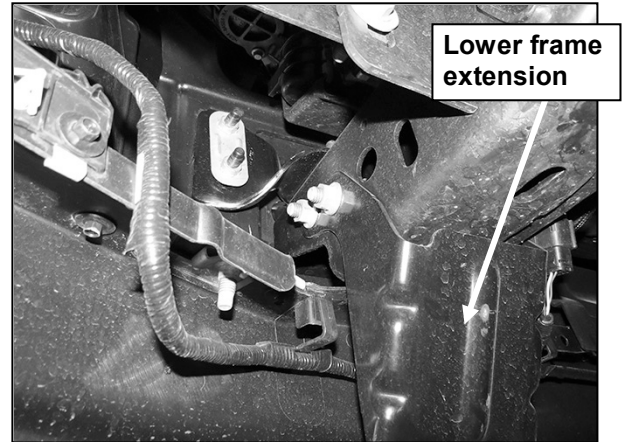
- a. Remove the preinstalled driver/left rectangular fog light mount insert from the back of the Elevation Bumper, **(Figure 22)**.
 - b. Select the driver/left Block Off. Reuse the hardware to attach the Block Off to the tabs on the back of the Bumper, **(Figure 25)**.
 - c. Repeat previous Steps to install the passenger/right Block Off.
- 14.** Insert (2) Plastic Plugs into the Bumper. Reuse factory hardware to attach license plate to Plugs. On models with grille mounted factory camera, remove the center screen, **(Figure 26)**.
- 15.** Reattach the factory harness. Adjust lights and tighten all fog light bracket hardware.
- 16.** Do periodic inspections to the installation to make sure that all hardware is secure and tight.

To protect your investment, Do not use any type of polish or wax that may contain abrasives that could damage the finish. Mild soap may be used to clean the Elevation Front Bumper assembly.

Driver/left Side Installation Pictured



(Fig 1) On models with fog lights, unplug wire harness from back of light

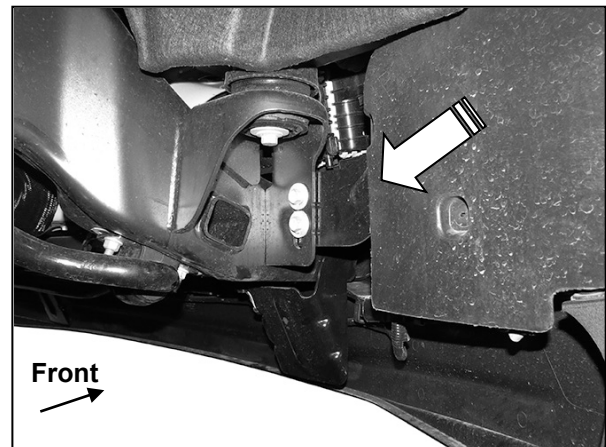


Lower frame extension

(Fig 2) Release clips attaching the wire harness for fog lights if equipped (driver side)

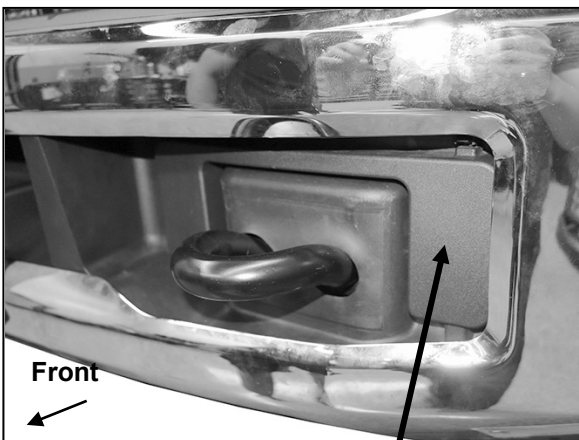


(Fig 3) Remove plastic air dam from bumper



Front

(Fig 4) Remove outer bumper support brackets between frame and bumper (arrow)



Front

(Fig 5) Remove plastic cover around tow hook

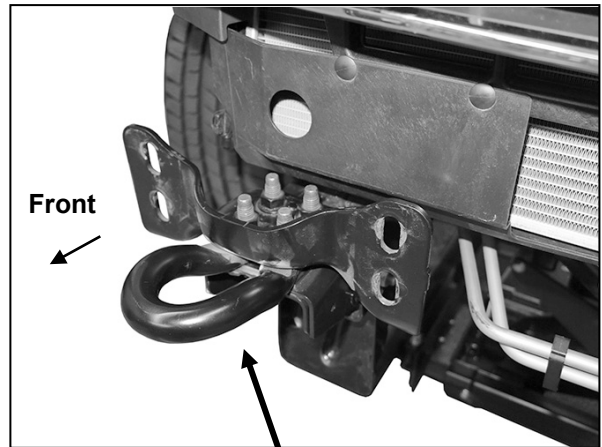
WARNING! Do not remove bumper bolts unless the bumper is properly supported on blocks or stands or it may fall.

Driver/left Side Installation Pictured

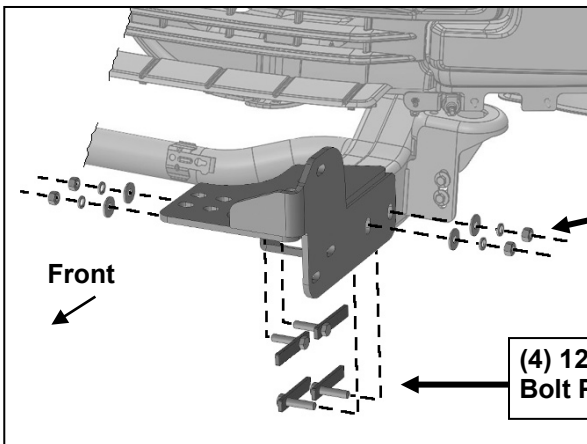


(Fig 6) Remove bumper bolts from front

WARNING! Do not remove bumper bolts unless the bumper is properly supported on blocks or stands or it may fall.



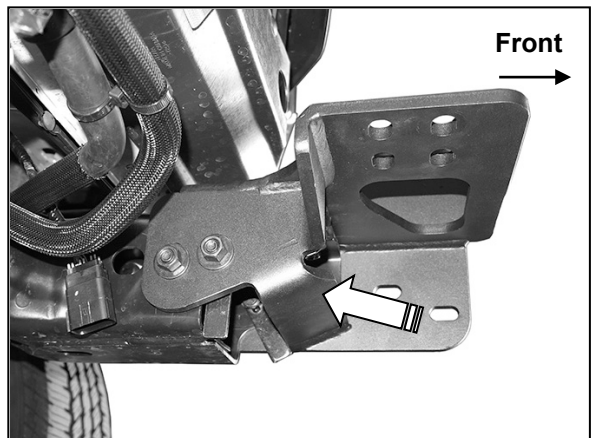
(Fig 7) Remove tow hook assembly and lower frame extension (not pictured-see Fig 2)



(Fig 8) Insert Bolt Plates into open end of frame. Attach Bracket to sides of frame

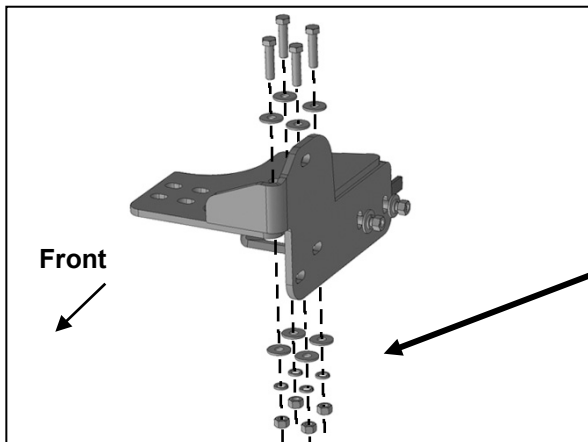
- (4) 12mm Flat Washers
- (4) 12mm Lock Washers
- (4) 12mm Hex Nuts

(4) 12mm Bolt Plates



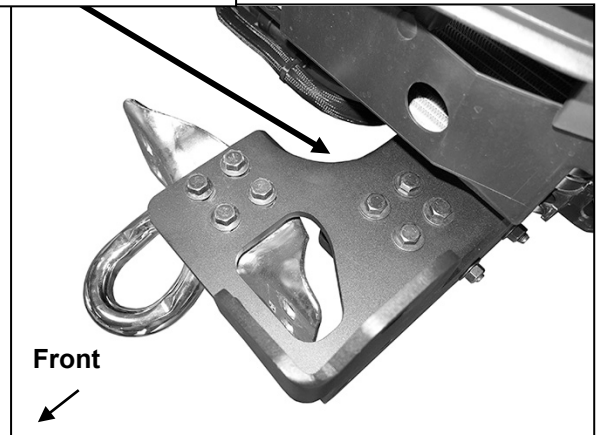
(Fig 9) Insert Bolt Plates into open end of frame (driver/left frame Bracket pictured)

Driver/left Side Installation Pictured

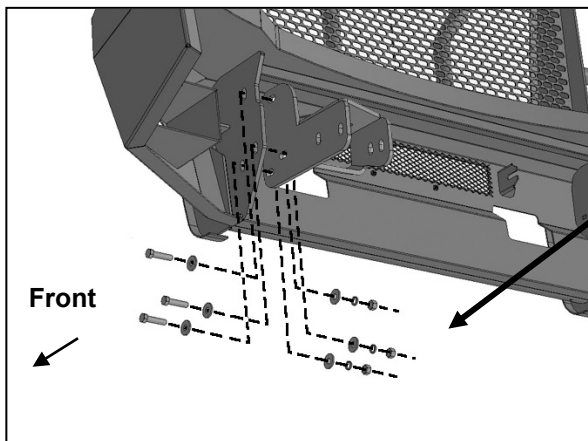


(Fig 10) Attach top of Bracket to top of frame

- (4) 12mm x 50mm Hex Bolts
- (8) 12mm Flat Washers
- (4) 12mm Lock Washers
- (4) 12mm Hex Nuts



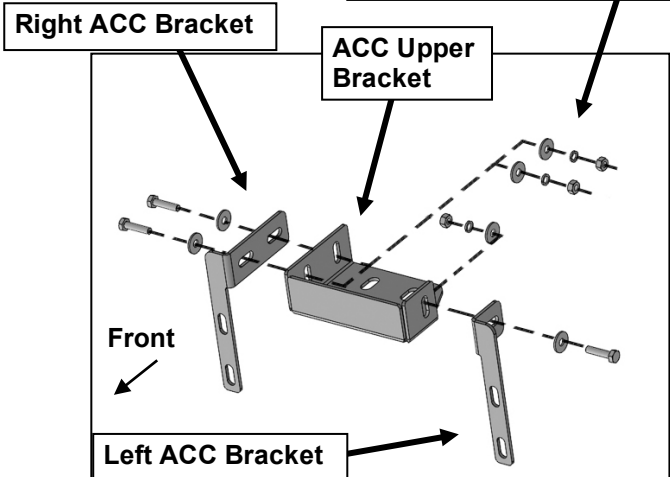
(Fig 11) Attach top of Bracket to top of frame. Reuse factory hardware to attach tow hook to Bracket (do not reinstall tow hook on driver/left side on models with ACC sensor)



(Fig 12) Attach Bumper to side of Bracket

- (3) 12mm x 50mm Hex Bolts
- (6) 12mm Flat Washers
- (3) 12mm Lock Washers
- (3) 12mm Hex Nuts

- (3) 6mm x 25mm Hex Bolts
- (6) 6mm Flat Washers
- (3) 6mm Lock Washers
- (3) 6mm Hex Nuts

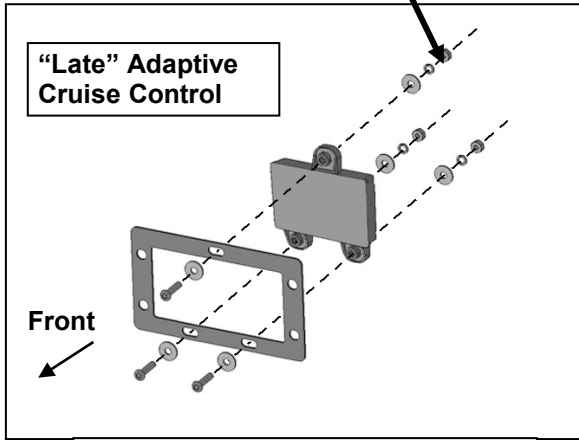


(Fig 13) Vehicles equipped with adaptive cruise control, ACC, Bracket assembly illustrated

WARNING! Do not crawl under bumper unless it is properly supported on blocks or stands or the bumper may fall.

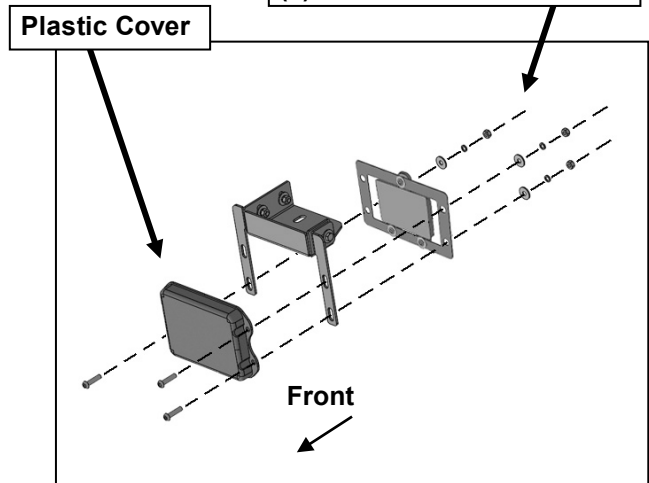
Driver/left Side Installation Pictured

- (3) 6mm Button Head Bolts
- (3) 6mm Flat Washers
- (3) 6mm Lock Washers
- (3) 6mm Hex Nuts



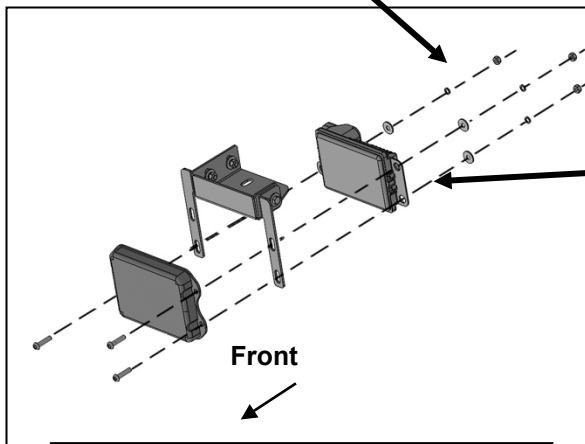
(Fig 14) Attach "Late" ACC sensor to back of Adapter Bracket

- (3) 6mm Button Head Bolts
- (3) 6mm Flat Washers
- (3) 6mm Lock Washers
- (3) 6mm Hex Nuts



(Fig 15) Attach Adapter Bracket with "Late" ACC sensor to back of Mounting Brackets, (Fig 16) and attach Plastic Cover to front

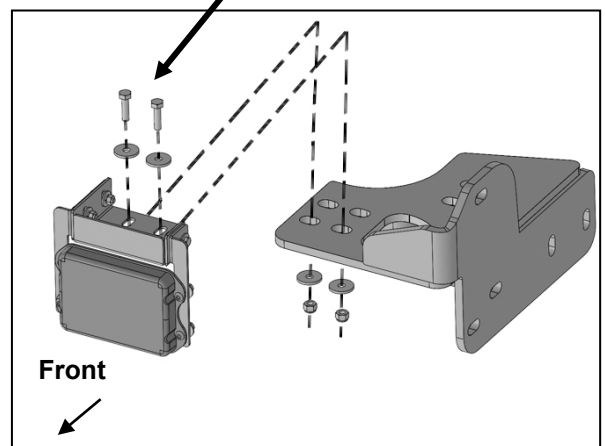
- (3) 6mm Button Head Bolts
- (3) 6mm Flat Washers
- (3) 6mm Lock Washers
- (3) 6mm Hex Nuts



(Fig 16) Attach "Early" ACC sensor to back of Mounting Brackets, (Fig 16) and Plastic Cover to front

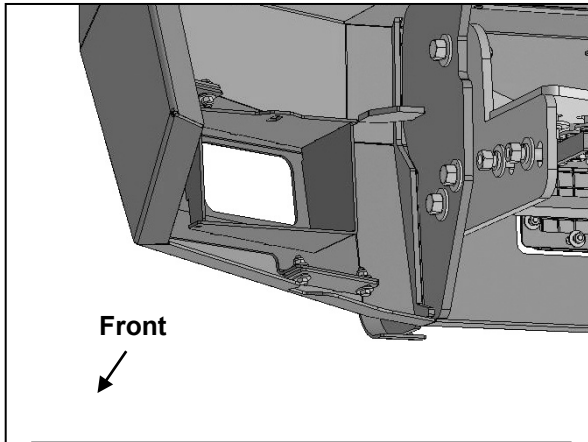
"Early" Adaptive Cruise Control

- (2) 8mm x 30mm Hex Bolts
- (4) 8mm x 28mm Flat Washers
- (2) 8mm Nylon Lock Nuts

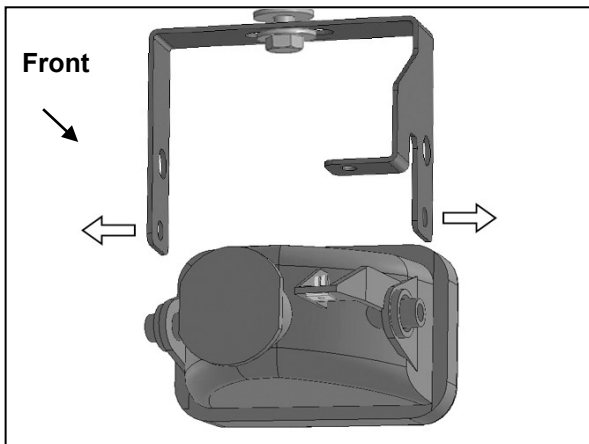


(Fig 17) ACC assembly attached to the Driver/left side Frame Bracket illustrated

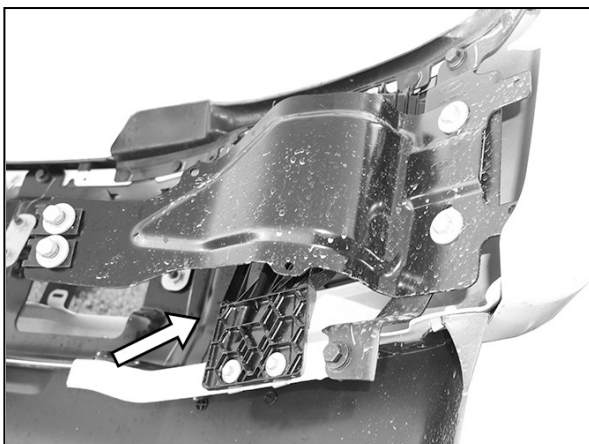
Driver/left Side Installation Pictured



(Fig 18) Driver/left OE rectangular fog light mounting location

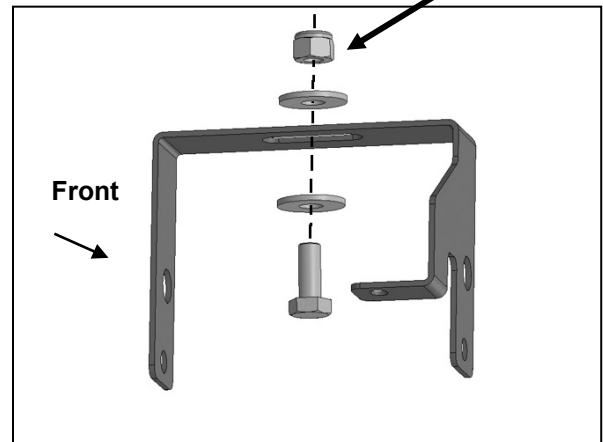


(Fig 20) Carefully spread sides to slide OEM fog light into position in pivot holes



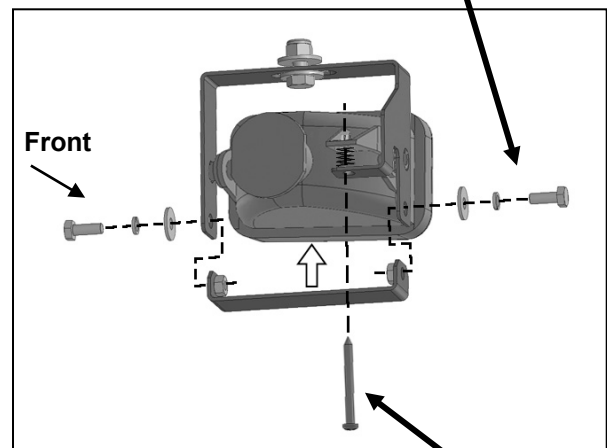
(Fig 22) Remove LED fog light assembly from factory bumper

8mm x 20mm Hex Bolt
(2) 8mm x 24mm Flat Washers
8mm Nylon Lock Nut



(Fig 19) Optional OEM fog light installation (light not included). Attach driver/left Upper Bracket to the slot in top of the opening

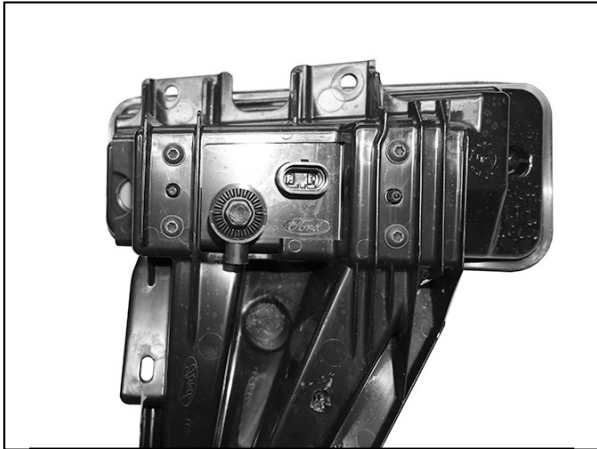
6mm x 16mm Hex Bolt
6mm Lock Washer
6mm Flat Washer



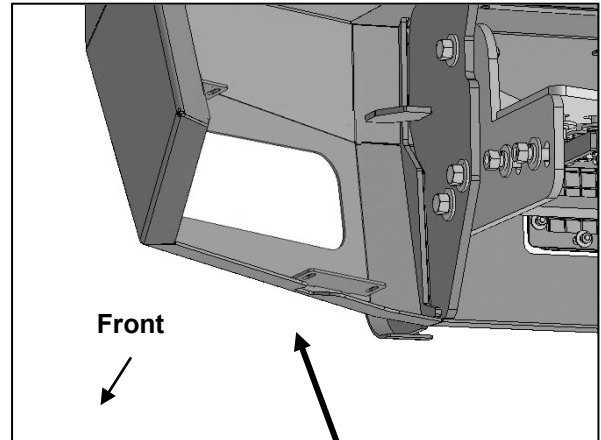
(Fig 21) Attach lower U Bracket to Upper Bracket. Reuse factory adjustment hardware (screw, spring and plastic nut)

WARNING! Do not crawl under bumper unless it is properly supported on blocks or stands or the bumper may fall.

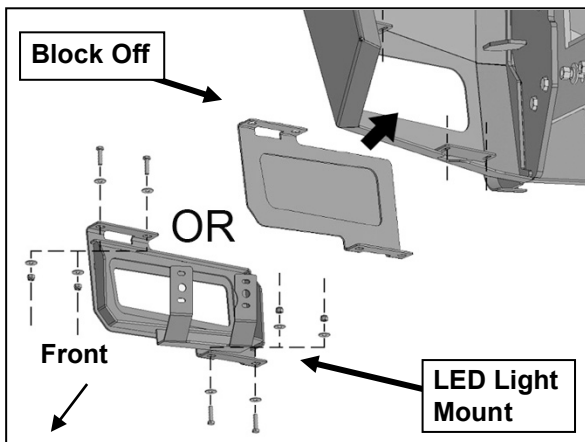
Driver/left Side Installation Pictured



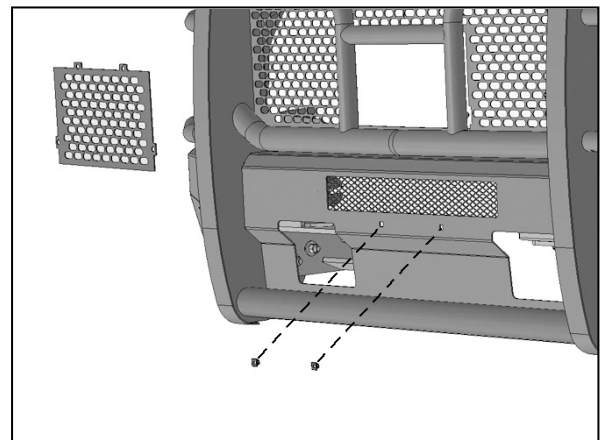
(Fig 23) Remove screws to remove narrow LED fog light from plastic mount



(Fig 24) Remove fog light mount from back of Bumper (driver/left side illustrated)



(Fig 25) Models with LED fog lights only, reuse screws to attach LED fog light to Light Mount. Reuse hardware to attach LED Fog Light assembly or Block Offs to tabs on back of Bumper



(Fig 26) Remove center screen if equipped with grille mounted camera. Push Plastic Plugs into holes in Bumper for license plate

Complete Installation

