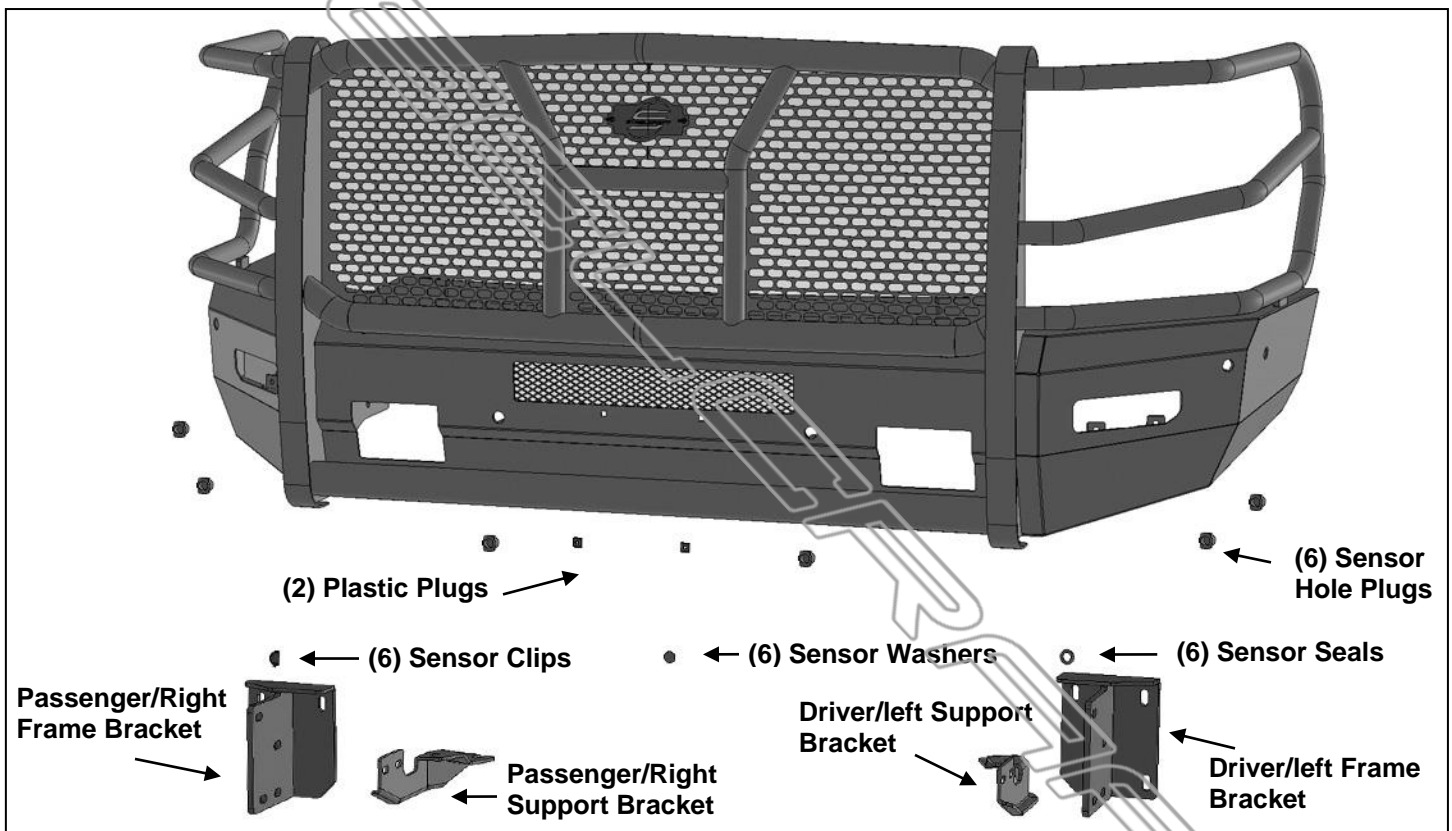


INSTALLATION INSTRUCTIONS

**ELEVATION FRONT BUMPER
2019 RAM 1500**

PARTS LIST:

1	Elevation Bumper Assembly	2	14mm Lock Washers
1	Driver/left Frame Mounting Bracket	4	14mm Nylon Lock Nuts
1	Passenger/right Frame Mounting Bracket	14	12-1.75mm x 55mm Hex Bolts
1	Driver/left Support Bracket	28	12mm x 32mm x 3mm STD Flat Washers
1	Passenger/right Support Bracket	14	12mm Nylon Lock Nuts
2	Plastic Plugs for license plate mount	8	6-1.00mm x 20mm Hex Bolts
6	Sensor Hole Plugs	16	6mm x 18mm x 1.6mm Flat Washers
6	Foam Washer	8	6mm Nylon Lock Nuts
6	15.5mm x 25mm x 2mm Foam Front Seal	12	4mm x 10mm Button Head Bolts
6	Sensor Retaining Rings	1	4mm Allen Wrench
6	14-2mm x 50mm Hex Bolts	1	Sensor Cover Kit
10	14mm x 44mm x 3mm Flat Washers		



PROCEDURE:

REMOVE CONTENTS FROM BOX. VERIFY ALL PARTS ARE PRESENT. READ INSTRUCTIONS CAREFULLY BEFORE STARTING INSTALLATION. BUMPER IS HEAVY, ASSISTANCE IS HIGHLY RECOMMENDED TO AVOID POSSIBLE INJURY OR DAMAGE TO THE VEHICLE.

1. Remove the license plate and bracket.
2. Move to the driver/left side of the bumper. Remove the screws attaching the plastic splash guard to the outside of the lower frame. Repeat to remove the screws from the passenger/right side of the frame, **(Figure 1)**. On models equipped with active front air dam, temporarily remove the air dam assembly for easier access to bumper hardware, **(Figure 2)**.
3. On models with factory fog lights and/or sensors, unplug wiring harness leading to the bumper. Move harness away from bumper to avoid damage.
4. Place blocks or jack stands under the front bumper to support it during mounting bolt removal. Once the bumper has been safely supported, remove the (3) hex nuts attaching each bumper bracket to the end

of the frame, **(Figure 2)**. **WARNING!** Assistance is required to hold the bumper in place during hardware removal to prevent the bumper from falling. Slide the bumper off of the end of the frame.

5. On models equipped with tow hooks, loosen the hex bolts and slide the tow hook out from under the hardware, **(Figures 3 & 4)**. **IMPORTANT** : The rear bolts attaching the tow hooks to the bottom of the frame are body mounting bolts and cannot be removed. Only loosen the bolts to remove the tow hook and to install the Support Brackets, **(Step 7, Figure 7)**.
6. Select the driver/left side Frame Mounting Bracket, **(Figure 5)**. Attach the Bracket to the end of the frame with (3) 12mm x 55mm Hex Bolts, (6) 12mm Flat Washers and (3) 12mm Nylon Lock Nuts, **(Figures 5 & 8)**.
7. Select the driver/left Support Bracket, **(Figure 6)**. Slide the inner end of the Support Bracket under the inner body bolt. Attach the forward end of the Support Bracket to the bottom of the frame with the included 14mm x 50mm Hex Bolt, 14mm Lock Washer and 14mm Flat Washer, **(Figures 6 & 7)**. **NOTE:** On models with tow hooks, reuse the factory hex bolt to attach the Support Bracket to the frame, **(Figure 4 & 7)**. Leave hardware loose.
8. Repeat **Steps 6 & 7** to install the passenger/right side Frame and Support Brackets, **(Figure 8)**.
9. **Optional Center LED light installation** (sold separately). **NOTE:** It may be easier to install the center light (not included) and sensors on the Bumper before Bumper Assembly is attached to the vehicle.
 - a. Attach the light to the (2) tabs on the back of the Bumper, **(Figure 9)**.
 - b. Follow light manufacturer's instructions to adjust and wire the light once Bumper has been fully installed.

Models without bumper sensors:

- a. Select the included (6) Rubber Plugs.
- b. From behind bumper, push plugs into sensor mounting holes, **(Figure 9)**.

Models with bumper mounted sensors:

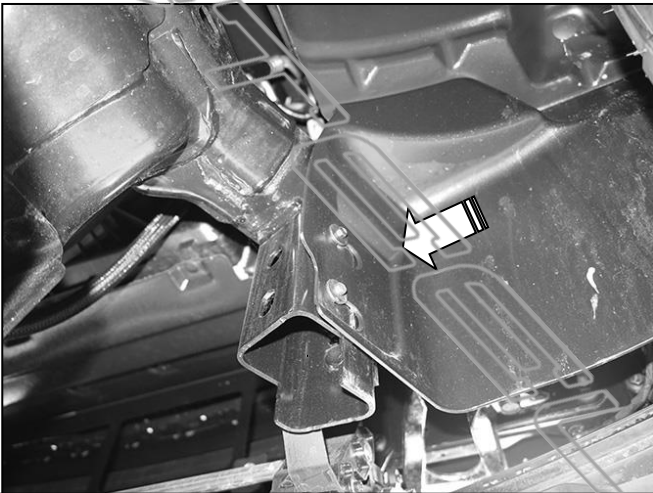
- a. Remove the sensors and wiring harness from the factory bumper, **(Figure 10)**. Note location of each sensor for correct reinstallation.
 - b. Remove the seal from the end of the sensor, **(Figure 11)**. Replace seal with the included larger Foam Seal. Push the sensor into the mounting socket in the back of the bumper.
 - c. Apply (1) Foam Washer to the plug end of the sensor, **(Figure 12)**. Trim Washer as required.
 - d. Secure the sensor to the socket with (1) Sensor Retaining Clip, **(Figure 12)**.
 - e. Repeat previous Steps for remaining sensor installations.
 - f. Reinstall the factory wiring harness. **NOTE:** It may be necessary to remove some of the outer wiring cover to extend the reach of the harness to the sensors. Secure harness to the Bumper as required.
10. With assistance, position the Bumper Assembly up to the inside of the Frame Brackets, **(Figure 13)**. Temporarily support the weight of the Bumper. **WARNING:** To avoid possible injury or damage to the vehicle, do not proceed until the Bumper is fully and safely supported.
 11. Line up the top (2) holes in the driver side mounting plate on the back of the Bumper with the top slots in the Frame Bracket. Attach the Bumper to the Bracket with the included (2) 12mm x 55mm Hex Bolts, (4) 12mm Flat Washers and (2) 12mm Nylon Lock Nuts, **(Figure 13)**. Leave hardware loose. Repeat this **Step** to attach the passenger side of the Bumper to the Frame Bracket.
 12. Next, line up the (2) lower mounting slots in the driver/left side of the Bumper with the Mounting Bracket and Support Bracket. Attach the driver/left side Brackets to the Bumper with (2) 12mm x 55mm Hex Bolts, (4) 12mm Flat Washers and (2) 12mm Nylon Lock Nuts, **(Figure 14)**. Repeat this **Step** to attach the passenger/right side of the Bumper to the Brackets.
 13. Level and adjust the bumper and fully tighten all hardware.
 14. On models with tow hooks, attach the driver/left tow hook to the mounting location next to the Bumper Bracket with the included (2) 14mm Hex Bolts, (4) 14mm Flat Washers and (20) 14mm Nylon Lock Nuts, **(Figures 12 & 16)**. Repeat this **Step** to install the passenger/right tow hook.
 15. **Models with fog lights:**
 - a. Attach each light assembly with plastic housing to the mounting tabs on the back of the bumper with (4) 6mm x 25mm Hex Bolts, (8) 6mm Flat Washers and (4) 6mm Nylon Lock Nuts, **(Figures 17 & 18)**. **IMPORTANT:** Do not overtighten hex bolts to avoid damaging plastic light mount.
 16. Reattach the factory wiring harness to the fog lights and main harness. Reinstall the active air dam if previously removed, **(Step 2)**.

**ELEVATION FRONT BUMPER
2019 RAM 1500**

17. On models with grille mounted camera, remove screen from center of grille guard on Bumper, **(Figure 19)**.
18. Use the included (2) push-in Plastic Nuts to attach the front license plate, (if required), to the (2) holes in the front of the Bumper, **(Figure 20)**.
19. Do periodic inspections to the installation to make sure that all hardware is secure and tight.

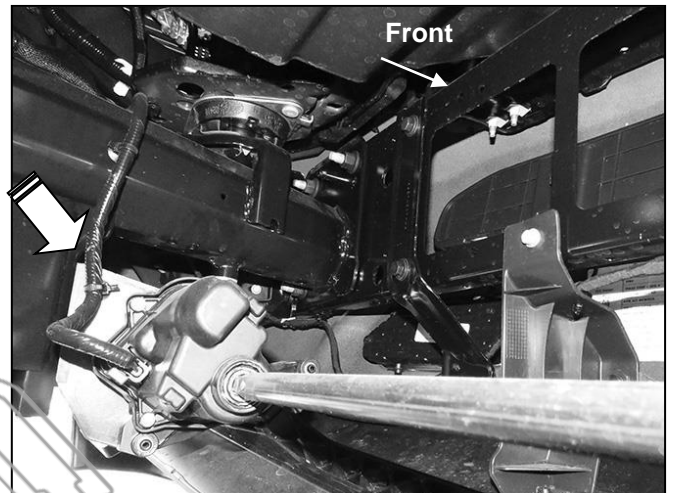
To protect your investment, wax this product after installing. Regular waxing is recommended to add a protective layer over the finish. Do not use any type of polish or wax that may contain abrasives that could damage the finish. Mild soap may be used to clean the Bumper assembly.

Driver Side Installation Pictured

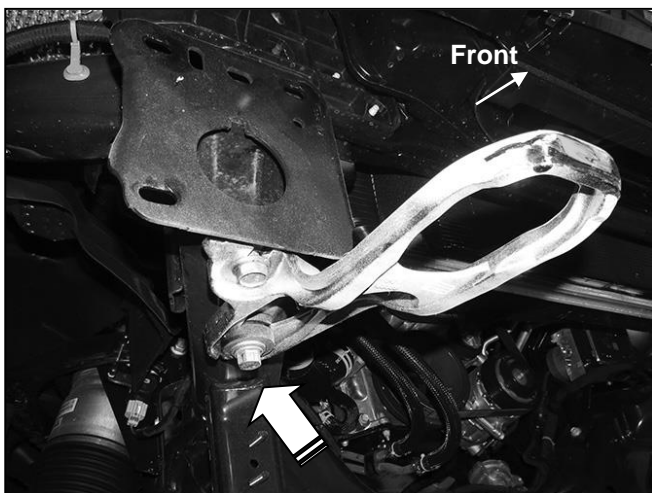


(Fig 1) Remove screws attaching plastic splash guard to frame (arrow). Passenger/right side pictured

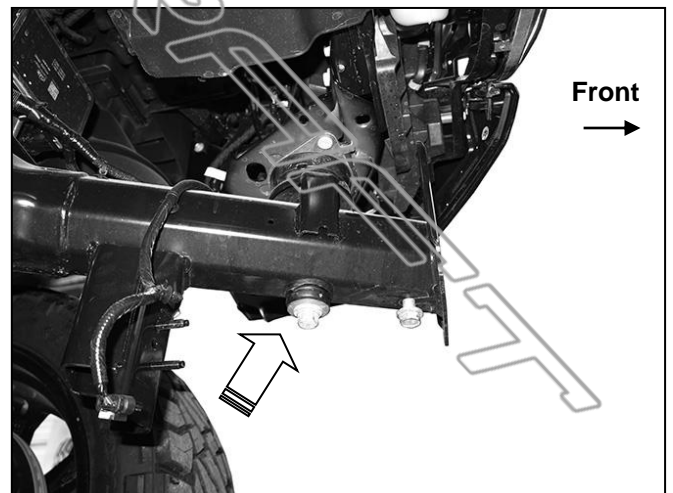
WARNING! Do not remove bumper bolts unless the bumper is properly supported on blocks or stands or the bumper may fall.



(Fig 2) Remove hex nuts attaching bumper. Temporarily remove active air dam for better access to bumper hardware. Back of bumper pictured

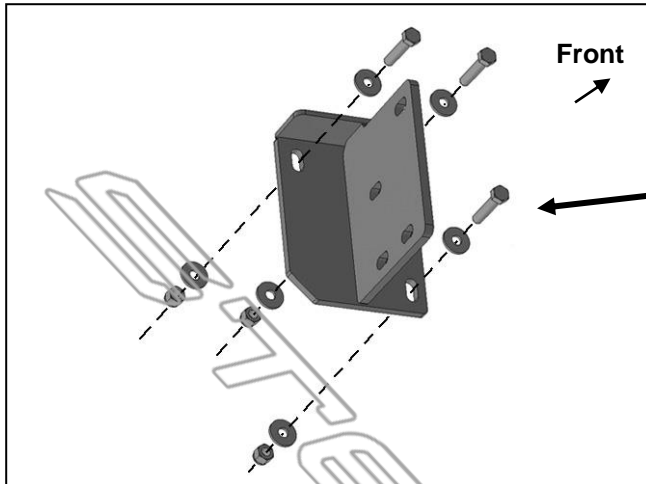


(Fig 3) Loosen hex bolts and slide off tow hook. IMPORTANT: Loosen but do not remove rear bolt (arrow). Passenger/right side pictured



(Fig 4) IMPORTANT: Loosen but do not remove rear bolt (arrow). Driver/left side pictured

Driver Side Installation Pictured

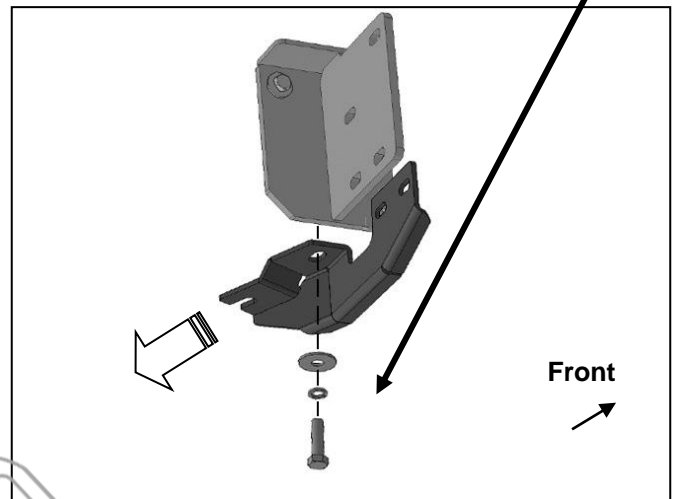


(Fig 5) Attach driver/left Frame Bracket to end of frame

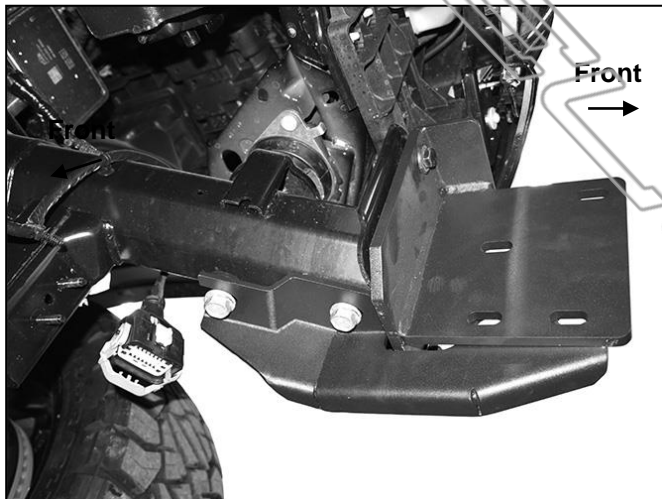
WARNING! Do not remove bumper bolts unless the bumper is properly supported on blocks or stands or the bumper may fall.

- (3) 12mm x 55mm Hex Bolts
- (6) 12mm STD Flat Washers
- (3) 12mm Nylon Lock Nuts

Reuse factory bolt (tow hook model) or
14mm x 50mm Hex Bolt
14mm Lock Washer
14mm Flat Washer



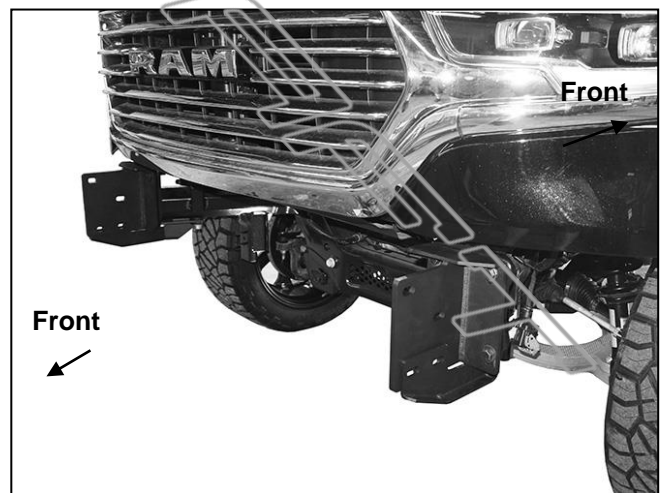
(Fig 6) Slide inner end of driver/left Support Bracket under body mount bolt. Attach Support Bracket to bottom of frame



(Fig 7) Driver/left Support Bracket attached to bottom of frame

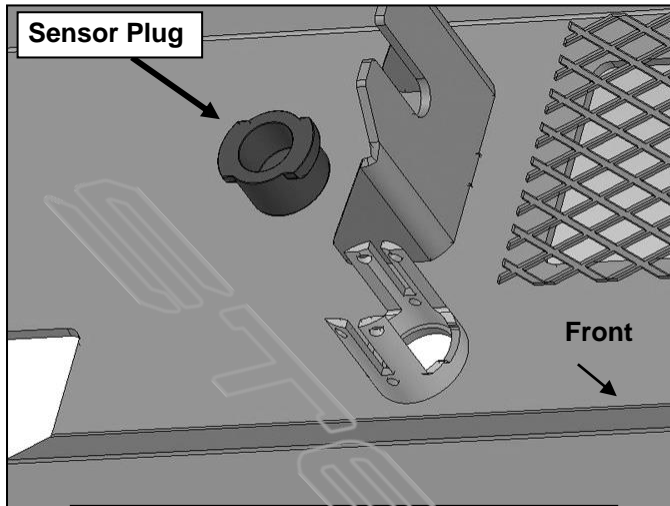
- 10mm x 40mm Hex Bolt
- (2) 10mm Flat Washers
- 10mm Nylon Lock Nut

WARNING! Do not crawl under bumper unless the bumper is properly supported on blocks or stands or the bumper may fall.



(Fig 8) Frame and Support Brackets installed

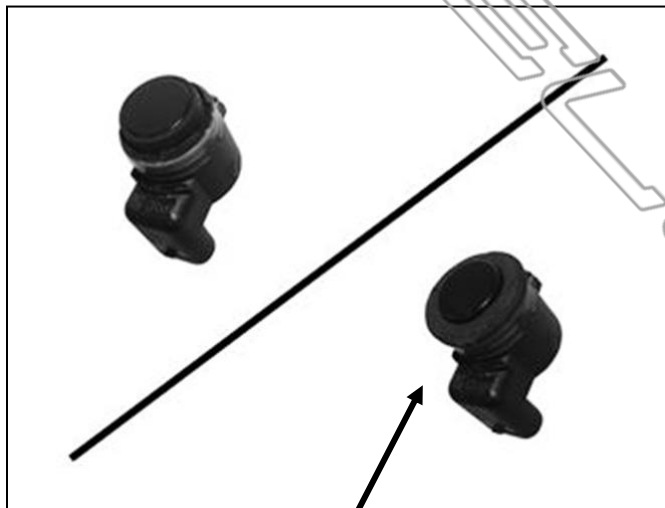
Driver Side Installation Pictured



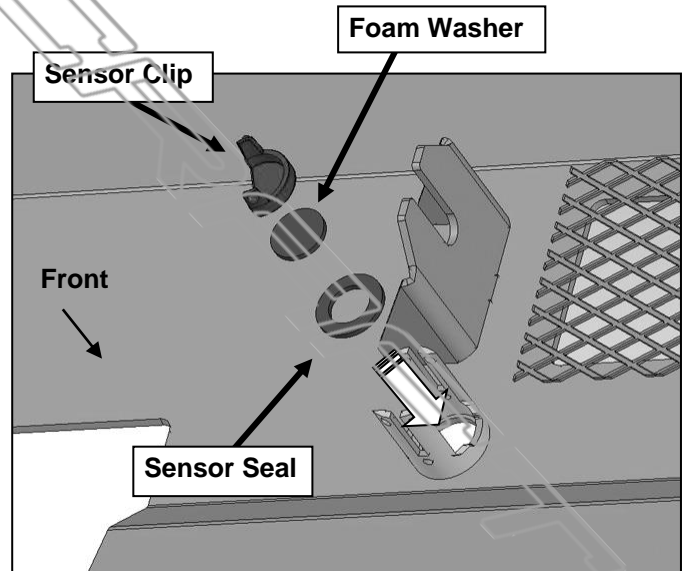
(Fig 9) Push sensor plug into mounting sleeve. Use of 4mm Screws is optional



(Fig 10) Remove sensors, harness and fog lights as equipped from factory



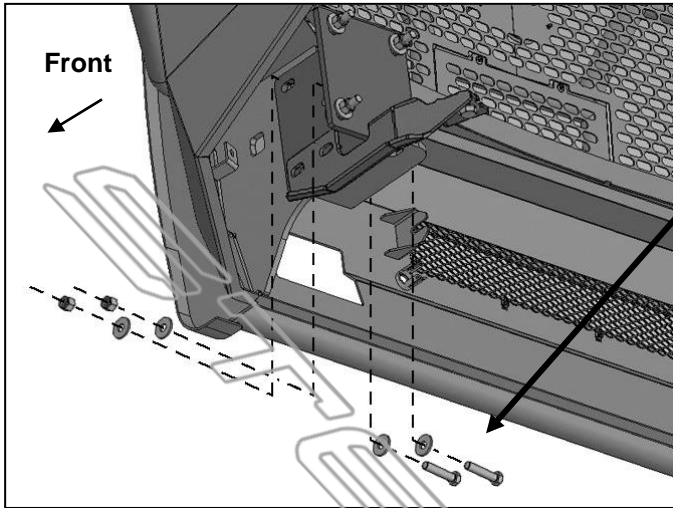
(Fig 11) Remove silicone seal from sensor. Slide large Seal over end of sensor (arrow)



(Fig 12) Slide sensor into sleeve, insert Foam Washer and Clip to lock sensor in sleeve

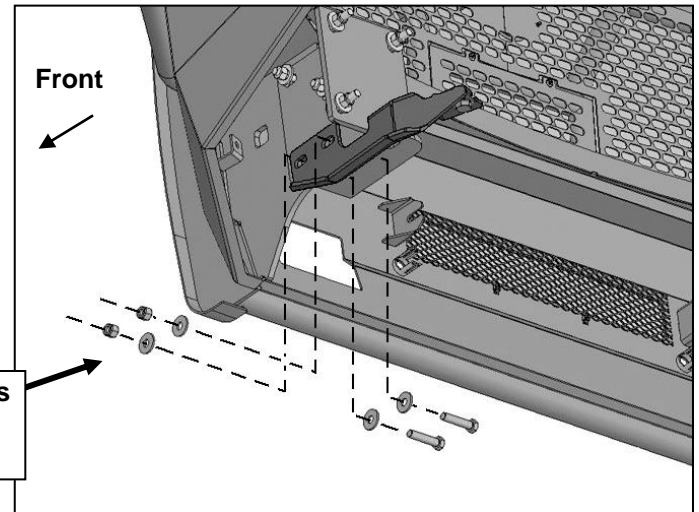
WARNING! Do not crawl under bumper unless the bumper is properly supported on blocks or stands or the bumper may fall.

Driver Side Installation Pictured



(Fig 13) Attach top (2) slots in Driver/left side of Bumper to inside of Frame Bracket

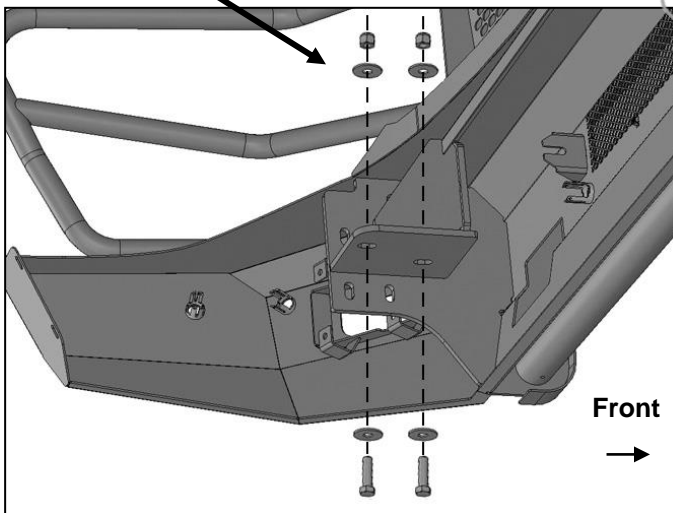
- (2) 12mm x 55mm Hex Bolts
- (4) 12mm Flat Washers
- (2) 12mm Nylon Lock Nuts



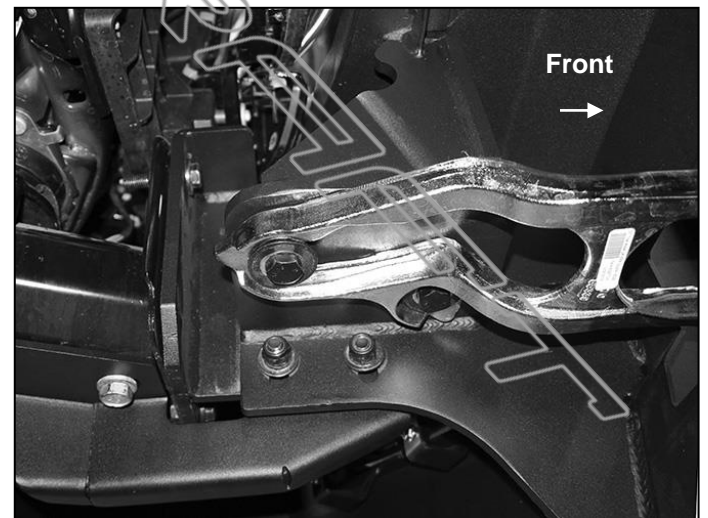
(Fig 14) Attach lower (2) slots in Bumper to inside of Frame Bracket and Support Bracket

- (2) 12mm x 55mm Hex Bolts
- (4) 12mm Flat Washers
- (2) 12mm Nylon Lock Nuts

- (2) 14mm x 50mm Hex Bolts
- (4) 14mm Flat Washers
- (2) 14mm Nylon Lock Nuts

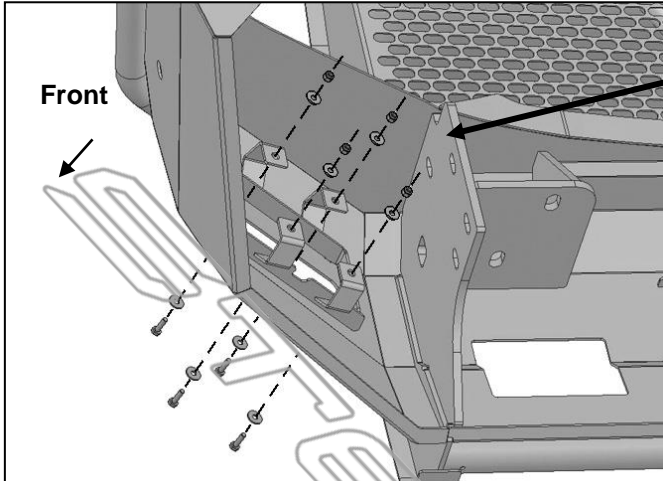


(Fig 15) Attach driver/left tow hook to Bumper



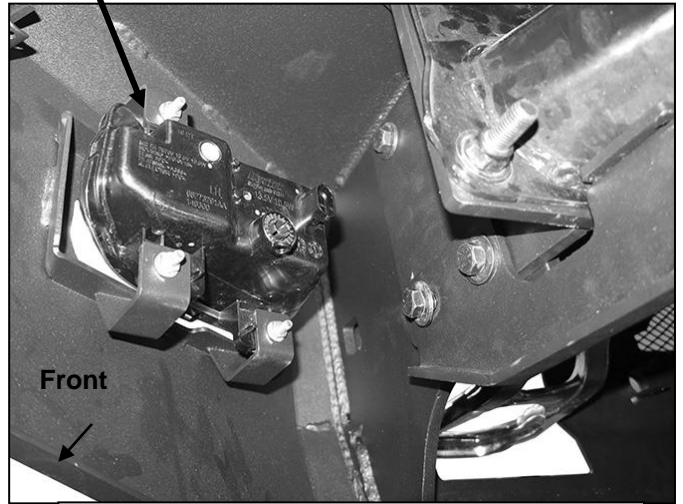
(Fig 16) Tow hook installed

Driver Side Installation Pictured

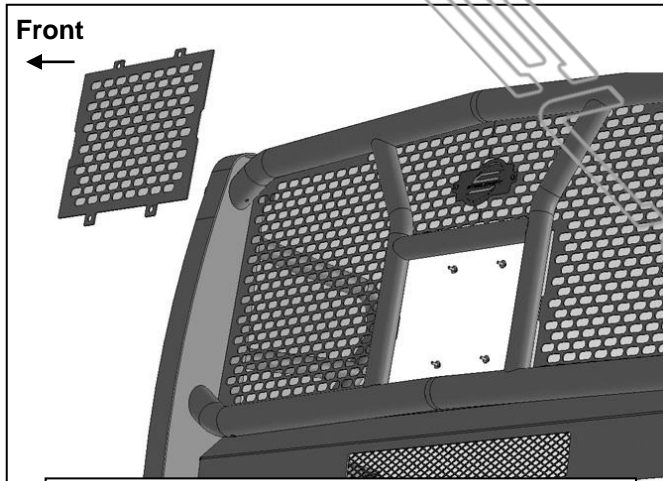


- (4) 6mm x 20mm Hex Bolts
- (8) 6mm Flat Washers
- (4) 6mm Nylon Lock Nuts

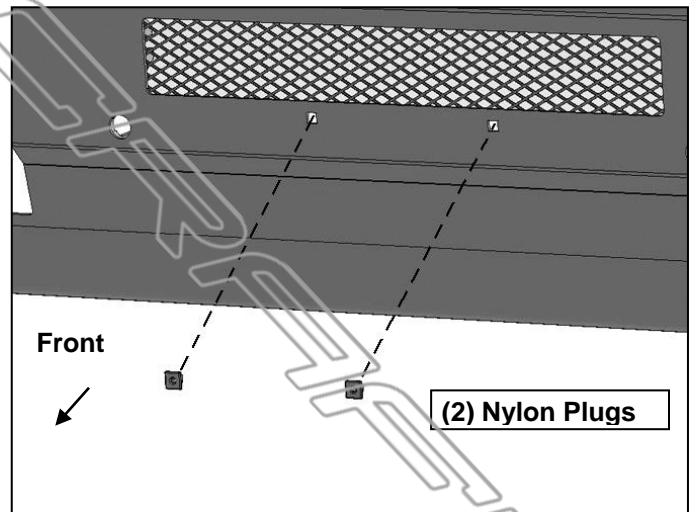
(Fig 17) Attach factory fog light assembly (if equipped) to mounting brackets on back of Bumper



(Fig 18) Factory fog light assembly installed



(Fig 19) Models with camera, remove screen



(Fig 20) Attach License Plate Plugs to Bumper



Complete Installation