

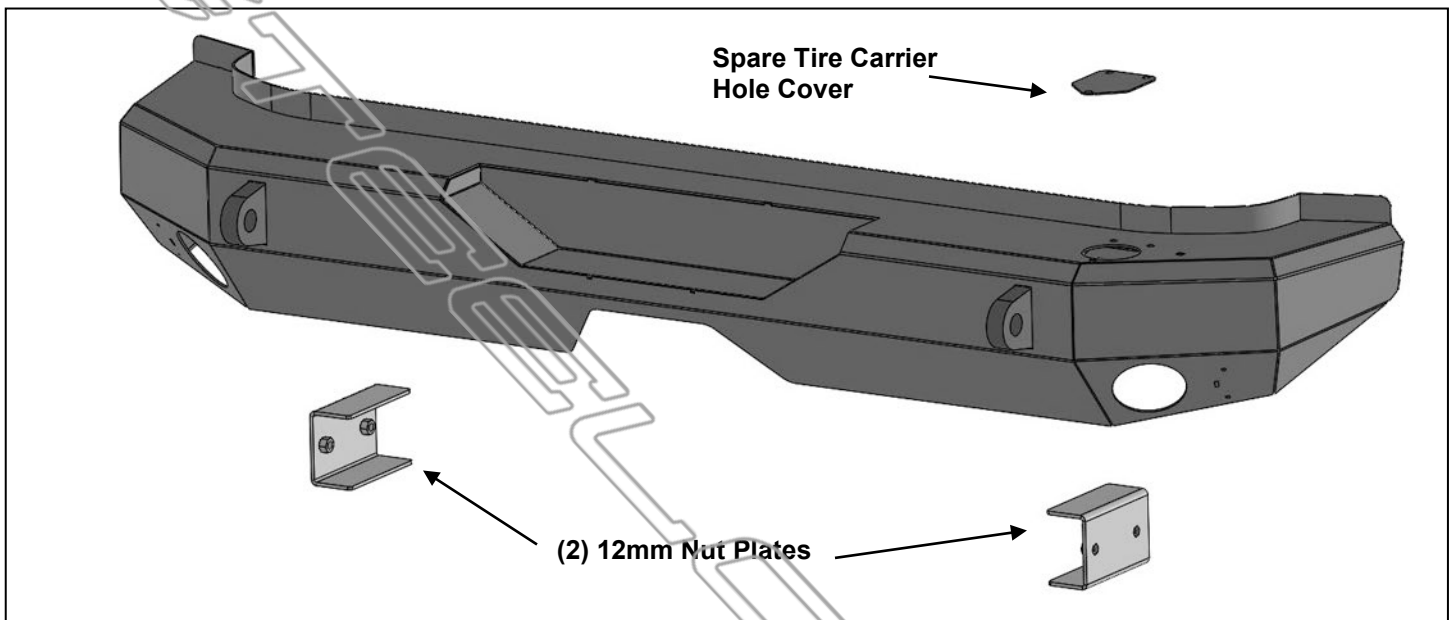


INSTALLATION INSTRUCTIONS

**1PC REAR BUMPER
07-17 JEEP WRANGLER JK**

PARTS LIST:

1	1PC Rear Bumper	4	10mm x 35mm Hex Bolts
2	12mm Nut Plates	4	10mm x 30mm x 2.5mm Flat Washers
1	Spare Tire Carrier Hole Cover	4	10mm Lock Washers
4	12mm x 50mm Hex Bolts	3	8mm x 20mm Button Head Bolts
4	12mm x 37mm x 3mm Flat Washers	3	8mm x 16mm x 1.6mm Flat Washers
4	12mm Lock Washers	3	8mm Lock Washers
		1	Allen Wrench

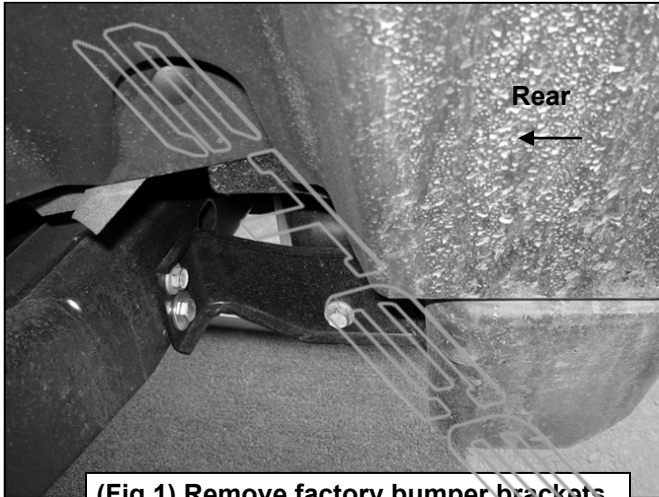


PROCEDURE:

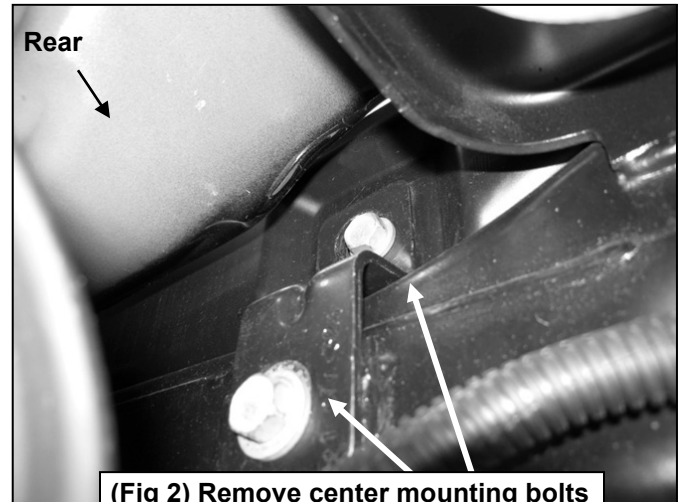
- 1. REMOVE CONTENTS FROM BOX. VERIFY ALL PARTS ARE PRESENT. READ INSTRUCTIONS CAREFULLY BEFORE STARTING INSTALLATION.**
WARNING: ALLOW TIME FOR THE MUFFLER TO COMPLETELY COOL BEFORE REMOVING REAR BUMPER.
- Remove the factory bumper by removing the side brackets, **(Figure 1)**, and the two inner brackets behind the factory bumper, **(Figure 2)**.
- Insert (1) 12mm Nut Plate into the driver side frame channel and line up the threaded welded nuts with the (2) slots in the outside of the frame, **(Figures 3—5)**.
- Repeat **Step 3** to install (1) 12mm Nut Plate on the Passenger side frame channel.
- NOTE:** Cover the factory hitch, (if equipped), with a piece of cardboard or masking tape to protect the finish on the Rear Bumper.
- With assistance, carefully position the Rear Bumper up to the outside of the frames. Attach the Bumper to the Nut Plates with the included (4) 12mm Hex Bolts, (4) 12mm Lock Washers and (4) 12mm Flat Washers, **(Figure 6)**. Attach the Bumper to the threaded inserts in the sides of the frames using (4) 10mm Hex Bolts, (4) 10mm Lock Washers and (4) 10mm Flat Washers, **(Figure 6)**. Do not tighten hardware at this time.
- Select the Spare Tire Carrier Hole Cover. Attach the Cover to the top of the Bumper with (3) 8mm Button Head Bolts, (3) 8mm Lock Washers, and (3) 8mm Flat Washers, **(Figure 7)**.
- Level and adjust the Rear Bumper and tighten all hardware at this time. **NOTE:** If vehicle is equipped with factory tow hitch, leave a 1/4" gap between the Rear Bumper and the hitch.
- Do periodic inspections to the installation to make sure that all hardware is secure and tight.

To protect your investment, wax this product after installing. Regular waxing is recommended to add a protective layer over the finish. Do not use any type of polish or wax that may contain abrasives that could damage the finish. Mild soap may be used to clean Bumper.

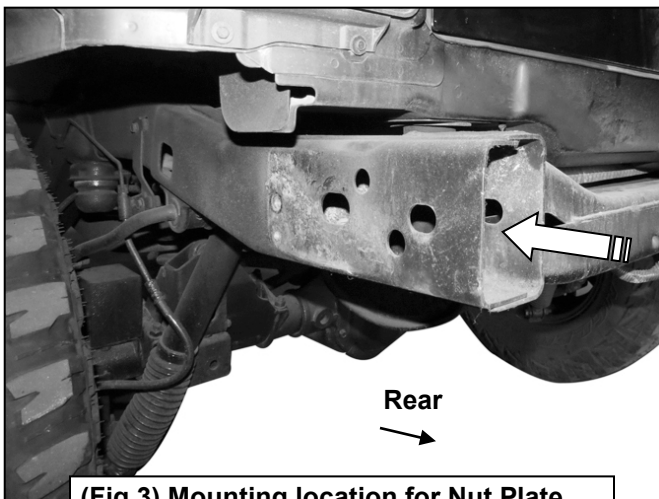
Driver Side Installation Pictured



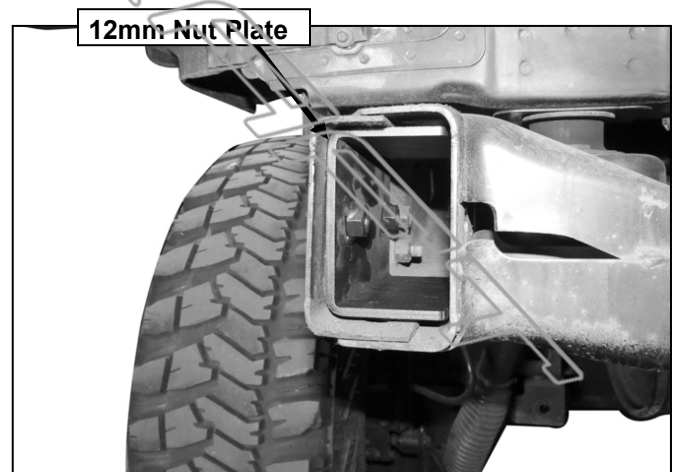
(Fig 1) Remove factory bumper brackets
(Driver side pictured)



(Fig 2) Remove center mounting bolts
behind bumper

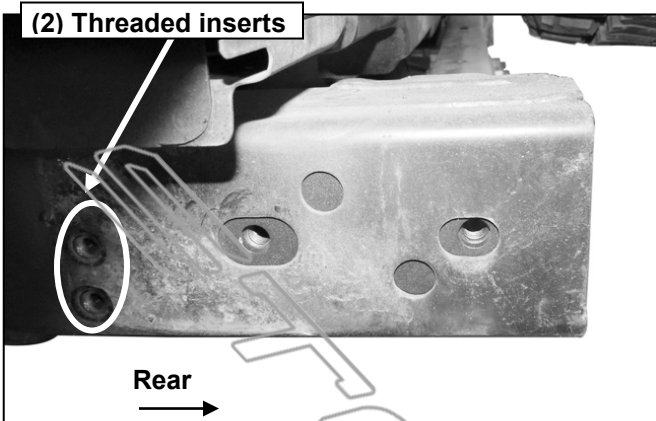


(Fig 3) Mounting location for Nut Plate
(Driver side frame channel pictured)

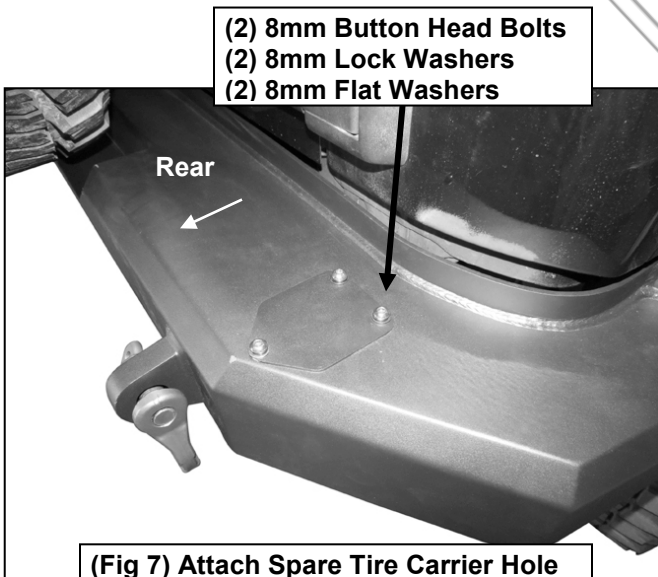
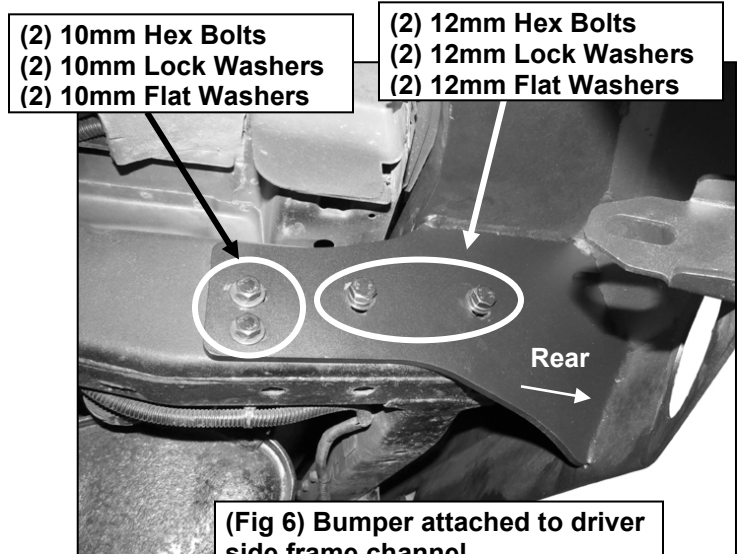


(Fig 4) Insert Nut Plate in through the frame
channel (Driver side pictured)

Driver Side Installation Pictured



(Fig 5) Align the Nut Plate with the (2) slots on the outside of the frame channel



(Fig 7) Attach Spare Tire Carrier Hole Cover to the top of the Bumper

