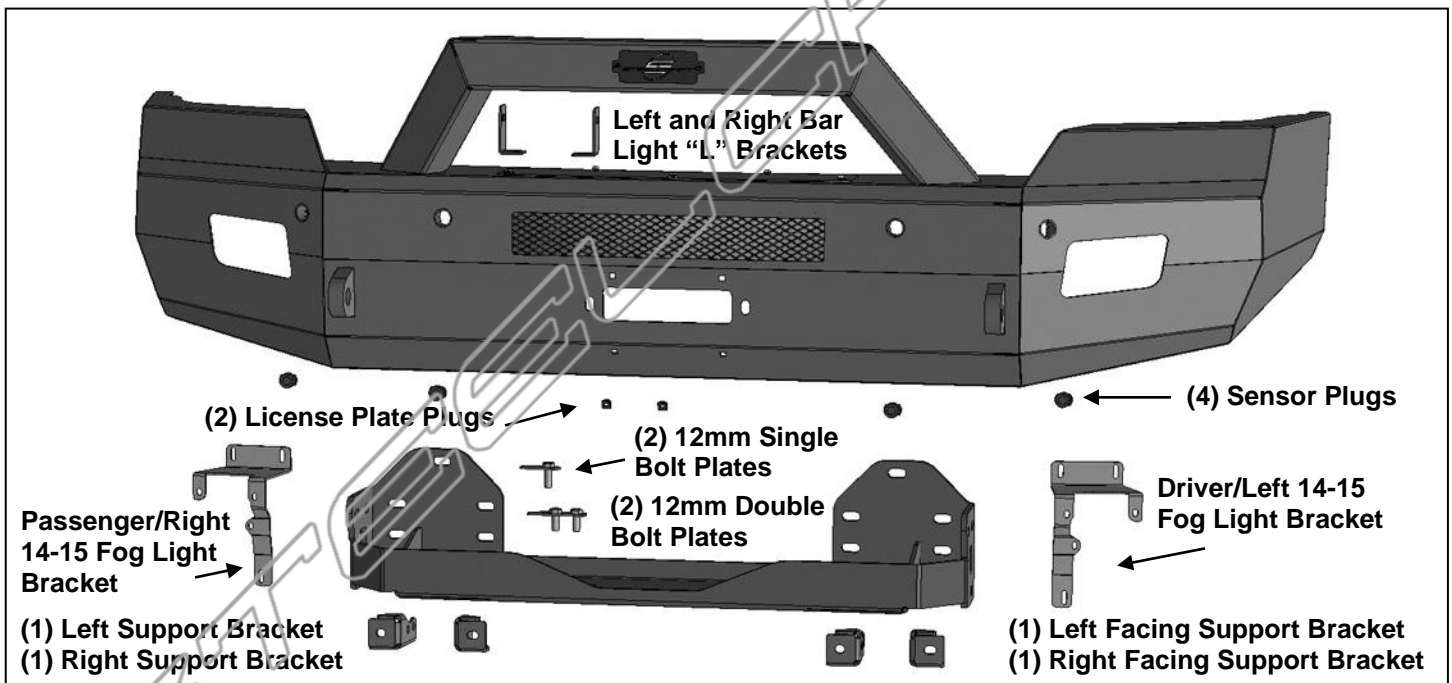


**ELEVATION BULL NOSE FRONT BUMPER
2014-17 CHEVY SILVERADO 1500**

PARTS LIST:

1	Elevation Bull Nose Front Bumper Assembly	26	12mm x 32mm OD x 3mm Flat Washers
1	Winch Tray/Bracket Assembly	16	12mm Nylon Lock Nuts
1	Winch Access Cover	2	8-1.25mm x 25mm Hex Bolts
2	Left Support Brackets	2	8-1.25mm x 16mm Hex Bolt
2	Right Support Brackets	6	8mm x 24mm x 2mm Flat Washer
1	Driver/left 2014-15 Fog Light Adapt Bracket	4	8mm Lock Washers
1	Passenger/right 2014-15 Fog Light Adapt Bracket	2	8mm Hex Nuts
1	Driver/left LED light bracket	6	6-1.0mm x 30mm Hex Bolts
1	Passenger/right LED light bracket	12	6mm x 18mm x 1.6mm Flat Washers
2	Plastic Plugs for License Plate	6	6mm Nylon Lock Nuts
4	Rubber Sensor Hole Plugs	5	6mm Combo Bolts (winch access cover)
2	12mm Single Bolt Plates	1	4mm Wrench (combo bolts)
2	12mm Double Bolt Plates	8	4mm x 10mm Socket Head Screws
10	12-1.75mm x 50mm Hex Bolts	1	2.5mm Wrench



PROCEDURE:

REMOVE CONTENTS FROM BOX. VERIFY ALL PARTS ARE PRESENT. READ INSTRUCTIONS CAREFULLY BEFORE STARTING INSTALLATION. BUMPER IS HEAVY, ASSISTANCE IS HIGHLY RECOMMENDED TO AVOID POSSIBLE INJURY OR DAMAGE TO THE VEHICLE.

1. Remove the license plate and bracket. On models with factory fog lights, unplug both lights. On models with front bumper mounted sensors, unplug sensors and remove from bumper, **(Figure 1)**. Move all wiring harnesses away from bumper.
2. Next, on **2014-15 models**, from behind the bumper, release the clips from the center and screws from the ends of the plastic body panel, (facia), on top of the bumper between the bottom of the grille and the top of the bumper, **(Figure 2)**.
3. All model years, open the hood and remove the cover between the top of the radiator and the grille, **(Figure 3)**. Remove the bolts attaching the bottom of the grille to the cross member and remove the grille.
4. Remove the outer bumper supports on each side of the frame.

**ELEVATION BULL NOSE FRONT BUMPER
2014-17 CHEVY SILVERADO 1500**

5. Place blocks or jack stands under the front bumper to support it during mounting bolt removal. Once the bumper has been safely supported, from above, remove the factory bumper bolts attaching the bumper to the inner bumper bracket bolted to the end of the frame, **(Figure 4)**. **WARNING!** Assistance is required to hold the bumper in place during bolt removal to prevent the bumper from falling. Slide the bumper assembly with brackets off of the frame.
 6. Reinstall the grille and top cover removed in **Step 2**. Do not reinstall the fascia on 2014-25 models.
 7. Remove both bumper brackets and tow hooks from the ends of the frame, **(Figure 5)**.
 8. Select (1) Left Facing and (1) Right Facing Support Bracket. Starting on the driver side, attach the Right Facing Support Bracket to the inner facing side of the frame with (1) 12mm Double Bolt Plate, (2) 12mm Flat Washers and (2) 12mm Nylon Lock Nuts, **(Figures 6 & 7)**. Next, attach (1) Left Facing Support Bracket to the outer facing side of the frame with (1) 12mm Single Bolt Plate, (1) 12mm Flat Washer and (1) 12mm Nylon Lock Nut, **(Figures 6 & 8)**. Do not tighten hardware at this time.
 9. Select the Winch Tray/Bracket Assembly. Reuse the (6) factory bumper bolts to attach the top mounting holes on the Winch Tray to the threaded bumper mounts, **(Figure 9)**. Attach the (4) lower holes in the Winch Tray to the (4) Support Brackets with (4) 12mm x 50mm Hex Bolts, (8) 12mm Flat Washers and (4) 12mm Nylon Lock Nuts, **(Figures 9 & 10)**. Snug but do not fully tighten hardware.
 10. If installing winch, follow manufacturer's instructions to attach the winch to the Winch Tray. Winch must be installed before Bumper is placed in position against Brackets. Install winch cable guide on Bumper assembly. Follow manufacturer's instructions to properly wire the winch to the electrical system.
 11. **Optional Center LED light installation** (sold separately). **NOTE:** Light must be installed before Bumper Assembly is attached to the Winch Tray. **IMPORTANT:** Clearance between the bar style LED light and the winch and/or winch tray must be determined before installing Bumper assembly.
 - a. Select the L/R "L" Brackets, **(Figure 11)**. **NOTE:** "L" Brackets are offset for universal fitment for most LED bar style lights. Attach the LED light assembly to the "L" Brackets with the included (2) 8mm x 16mm Hex Bolts, (2) 8mm Lock Washers and (2) 8mm Flat Washers. Do not fully tighten hardware at this time. **NOTE:** "L" Brackets may require modification for hardware larger than 8mm or use brackets supplied with light if possible.
 - b. Attach the light and brackets to the top of the (2) tabs on the back of the Bumper with the included 8mm x 25mm Hex Bolts, (4) 8mm Flat Washers, (2) 8mm Lock Washers and (2) 8mm Hex Nuts, **(Figure 11)**. Adjust light position and tighten hardware.
 - c. Follow light manufacturer's instructions to wire the light once Bumper has been fully installed.
- Models without bumper sensors:**
- a. Select the included (4) Rubber Plugs.
 - b. From behind bumper, push plugs into sensor mounting holes, **(Figure 12)**.
- Models with bumper mounted sensors:**
- a. Push the sensor into the mounting socket in the back of the bumper.
 - b. Secure each sensor to the socket with (2) 4mm x 10mm Button Head Screws, **(Figure 13)**.
IMPORTANT: Sensors fit snug in sockets. The 4mm Screws are used to apply slight pressure to lock the sensors in place. Tighten both screws evenly until they touch the sensor body only. Do not overtighten screws or damage to sensors will result.
12. With assistance, carefully position the Bumper Assembly up to the Mounting Brackets. Temporarily support the weight of the Bumper. **WARNING:** To avoid possible injury or damage to the vehicle, do not proceed until the bumper is fully and safely supported. Models with winch and/or LED light, check for clearance before fully installing Bumper assembly.
13. Line up the (3) holes in the driver/left side of the Bumper with the (3) holes in the Winch Tray Assembly. Attach the mounting plate on the back of the Bumper to the Winch Tray with the included (3) 12mm x 50mm Hex Bolts, (6) 12mm Flat Washers and (3) 12mm Nylon Lock Nuts, **(Figures 14 & 15)**. Do not fully tighten hardware at this time. Repeat this Step to attach the passenger/right side of the Bumper to the Winch Tray.
14. Level and adjust the bumper and fully tighten all 12mm hardware to 65-70ft-lbs.
15. **Models with fog lights:**
 - 2014-15 Models
 - a. Select the driver/left Light Adapter Bracket.

**ELEVATION BULL NOSE FRONT BUMPER
2014-17 CHEVY SILVERADO 1500**

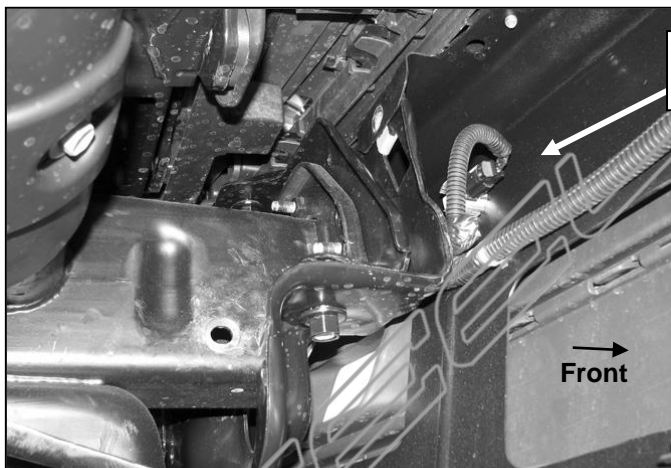
- b. Slide the tabs on the driver/left fog light into the Bracket. Push the attaching posts into the mounting holes in the Bracket, **(Figure 16)**.
- c. Attach Bracket with light to the mounting tabs on the back of the Bumper with (3) 6mm x 30mm Hex Bolts, (6) 6mm Flat Washers and (3) 6mm Nylon Lock Nuts, **(Figure 16)**.
- d. Repeat this Step to install passenger/right light assembly.
- e. Reattach the factory wiring harness to both lights.

2016-17 Models

- f. Attach the light assembly with plastic housing to the mounting tabs on the back of the bumper with (4) 6mm x 30mm Hex Bolts, (8) 6mm Flat Washers and (4) 6mm Nylon Lock Nuts. NOTE: Light assembly will rotate 90-degrees to install horizontal to Brackets.
- 16. Reattach the factory wiring harness to both lights and sensors if equipped.
 - 17. Use the included (2) push-in Plastic Nuts to attach the front license plate. (if required), to the (2) holes in the front Bumper, **(Figure 17)**.
 - 18. Do periodic inspections to the installation to make sure that all hardware is secure and tight.

To protect your investment, wax this product after installing. Regular waxing is recommended to add a protective layer over the finish. Do not use any type of polish or wax that may contain abrasives that could damage the finish. Mild soap may be used to clean the Heavy Duty Front Bumper assembly.

Driver/left Installation Pictured



Unplug sensors and fog lights if equipped

(Fig 1) Unplug sensors, fog lights and move wiring harness away from bumper before removal



(Fig 2) On 14-15 models, from behind bumper, release clips and hardware attaching plastic fascia panel (arrow) to top of bumper and fender. Remove fascia panel to access grille and bumper hardware from above.

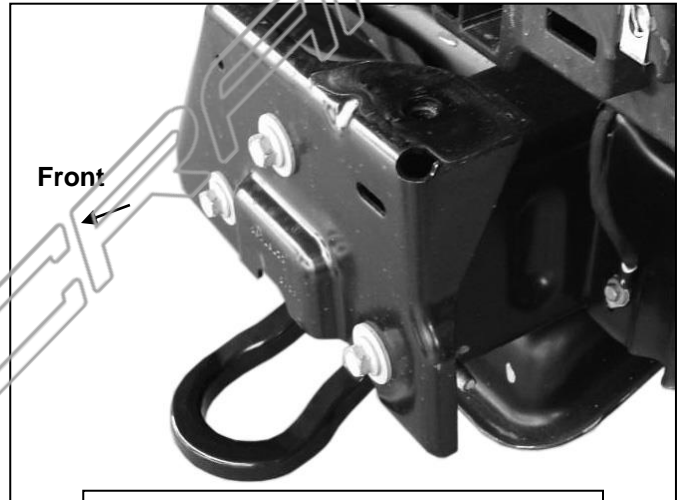
**ELEVATION BULL NOSE FRONT BUMPER
2014-17 CHEVY SILVERADO 1500**

Driver/left Side Installation Pictured



(Fig 3) All models years, remove plastic cover from top of radiator (arrow). Temporarily remove grille

WARNING! Do not crawl under bumper or remove bumper bolts unless the bumper is properly supported on blocks or stands or the bumper may fall.



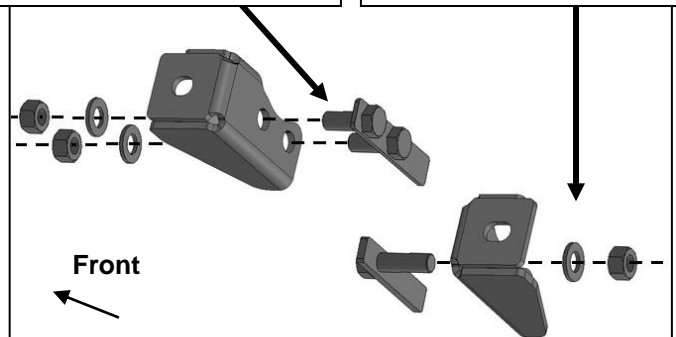
(Fig 4) Remove inner bumper brackets and tow hooks, reinstall plastic grille



(Fig 5) Remove complete bumper, inner bumper bracket and tow hooks, reinstall plastic grille

**12mm Double Bolt Plate
(2) 12mm Flat Washers
(2) 12mm Nylon Lock Nuts**

**12mm Single Bolt Plate
12mm Flat Washer
12mm Nylon Lock Nut**

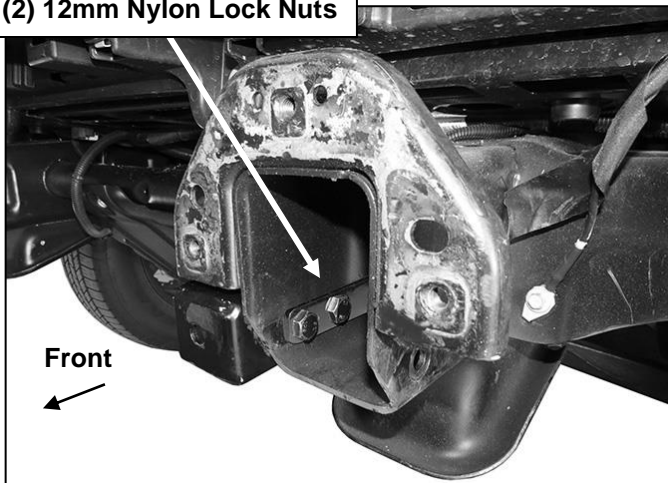


(Fig 6) Attach Support Brackets to frame

ELEVATION BULL NOSE FRONT BUMPER
2014-17 CHEVY SILVERADO 1500

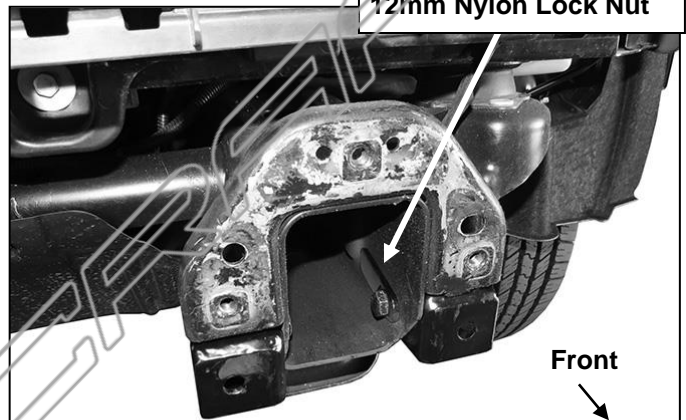
Driver/left Side Installation Pictured

12mm Double Bolt Plate
(2) 12mm Flat Washers
(2) 12mm Nylon Lock Nuts



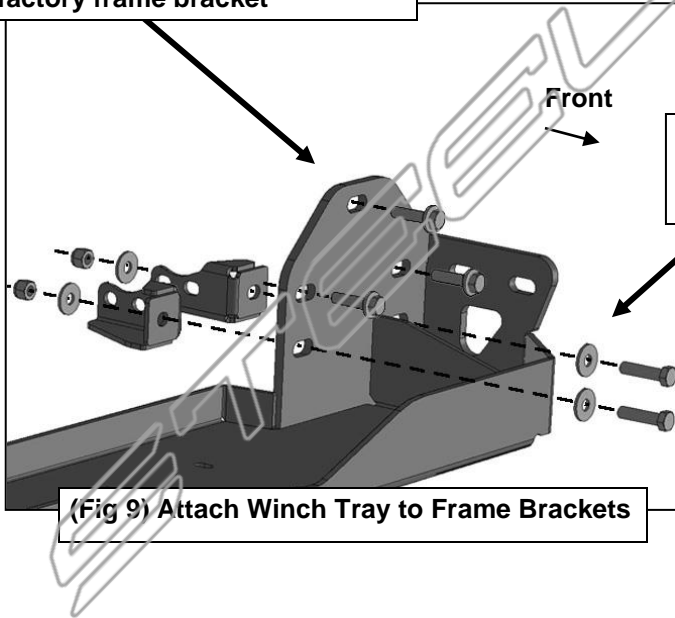
(Fig 7) Attach Support Brackets to frame using factory holes for tow hooks. Driver side pictured

12mm Single Bolt Plate
12mm Flat Washer
12mm Nylon Lock Nut



(Fig 8) Attach Support Brackets to frame using factory holes for tow hooks. Driver side pictured

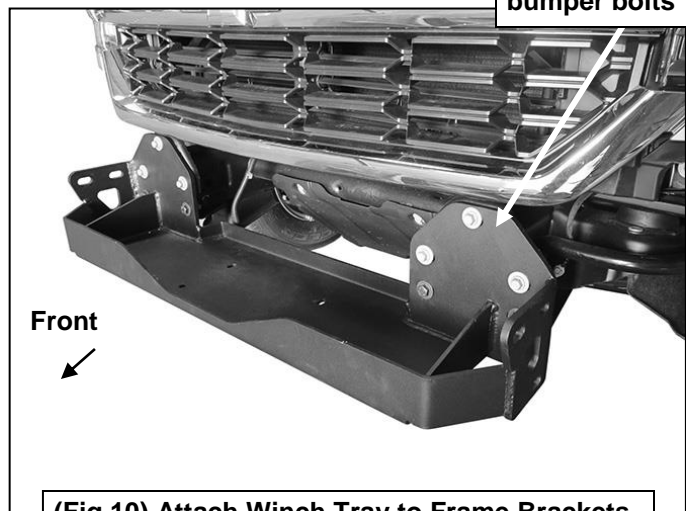
Reuse Factory bumper bolts to attach Winch Tray Assembly to factory frame bracket



(Fig 9) Attach Winch Tray to Frame Brackets

(2) 12mm x 50mm Hex Bolts
(4) 12mm Flat Washers
(2) 12mm Nylon Lock Nuts

Reuse Factory bumper bolts



(Fig 10) Attach Winch Tray to Frame Brackets

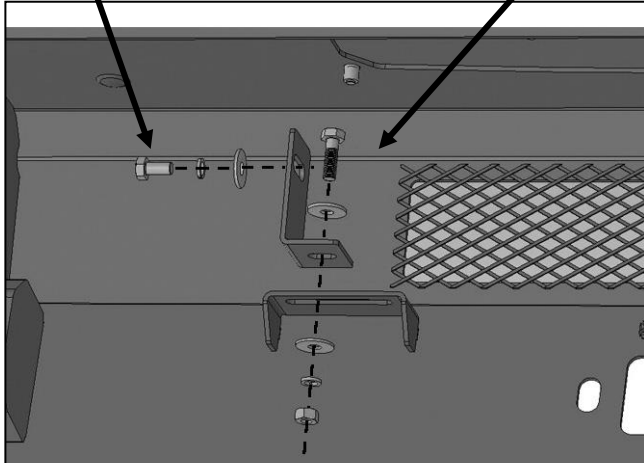
WARNING! Do not crawl under bumper unless the bumper is properly supported on blocks or stands or the bumper may fall.

ELEVATION BULL NOSE FRONT BUMPER
2014-17 CHEVY SILVERADO 1500

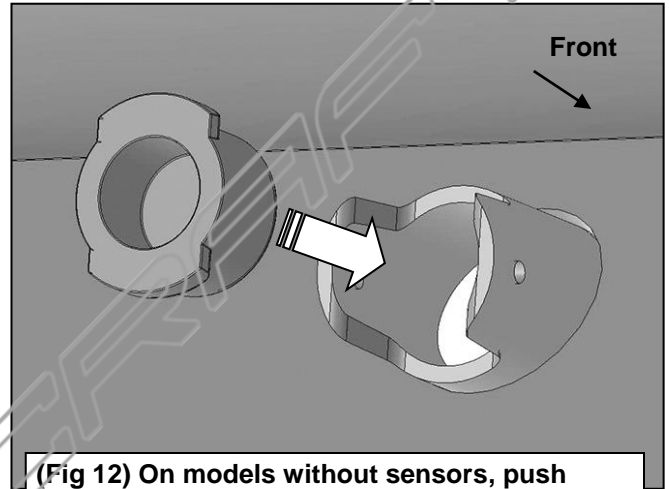
Driver/left Side Installation Pictured

8mm x 16mm Hex Bolt
8mm Lock Washer
8mm Flat Washer

8mm x 25mm Hex Bolt
(2) 8mm Flat Washers
8mm Lock Washer
8mm Hex Nut

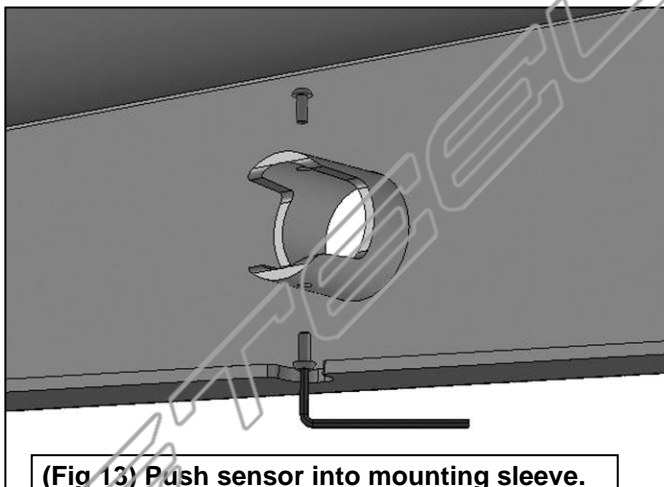


(Fig 11) Universal LED Brackets (light not included)



(Fig 12) On models without sensors, push included rubber plugs into mounting sleeves

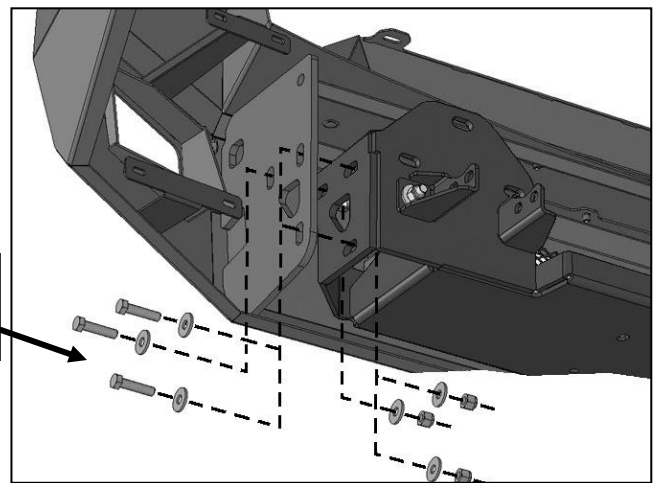
IMPORTANT: Sensors fit snug in sockets. The 4mm Screws are only used to apply slight pressure to lock the sensors in place. Tighten both screws evenly until they touch the sensor body only. Do not overtighten screws or damage to sensors will result.



(Fig 13) Push sensor into mounting sleeve. Use 4mm Screws to lock sensor in place.

(3) 12mm x 50mm Hex Bolts
(6) 12mm Flat Washers
(3) 12mm Nylon Lock Nuts

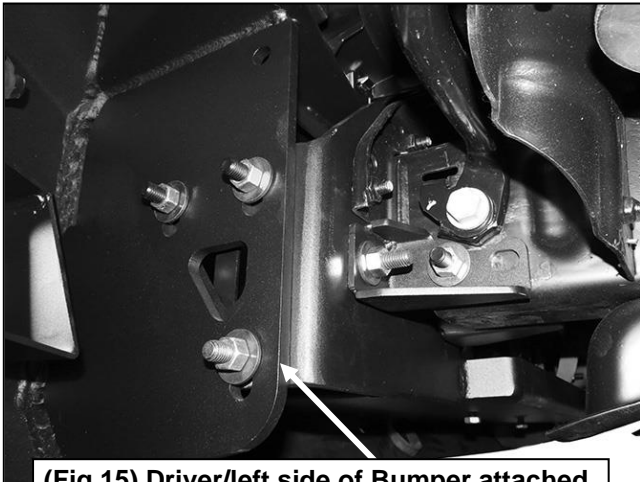
WARNING! Do not crawl under bumper unless the bumper is properly supported on blocks or stands or the bumper may fall.



(Fig 14) Attach Bumper to Winch Tray Assembly

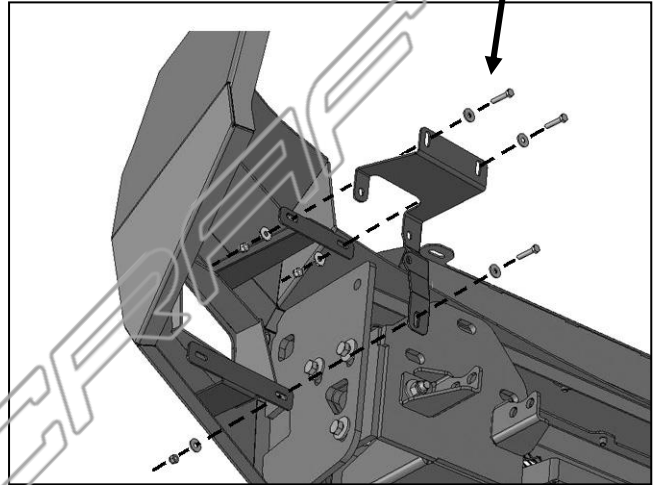
**ELEVATION BULL NOSE FRONT BUMPER
2014-17 CHEVY SILVERADO 1500**

Driver/left Side Installation Pictured



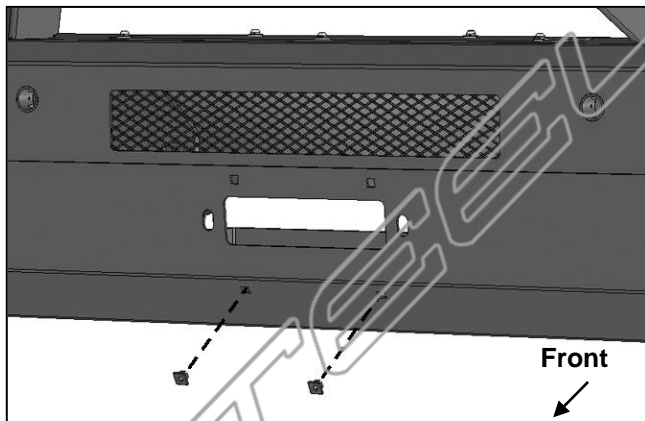
(Fig 15) Driver/left side of Bumper attached to Winch Tray Bracket Assembly

- (3) 6mm x 30mm Hex Bolts
- (6) 6mm Flat Washers
- (3) 3mm Nylon Lock Nuts



(Fig 16) Attach only 2014-15 factory fog light to mounting tabs on Adapter Bracket. Driver/left Bracket installation illustrated.

On 2016-17 models, rotate light 90-degrees and attach fog light and housing assembly directly to mounting tabs on back of bumper. Adapter bracket is not required for installation



(Fig 17) Push plastic plugs into upper or lower holes in Bumper for license plate if required



Complete Installation with accessories (not included)