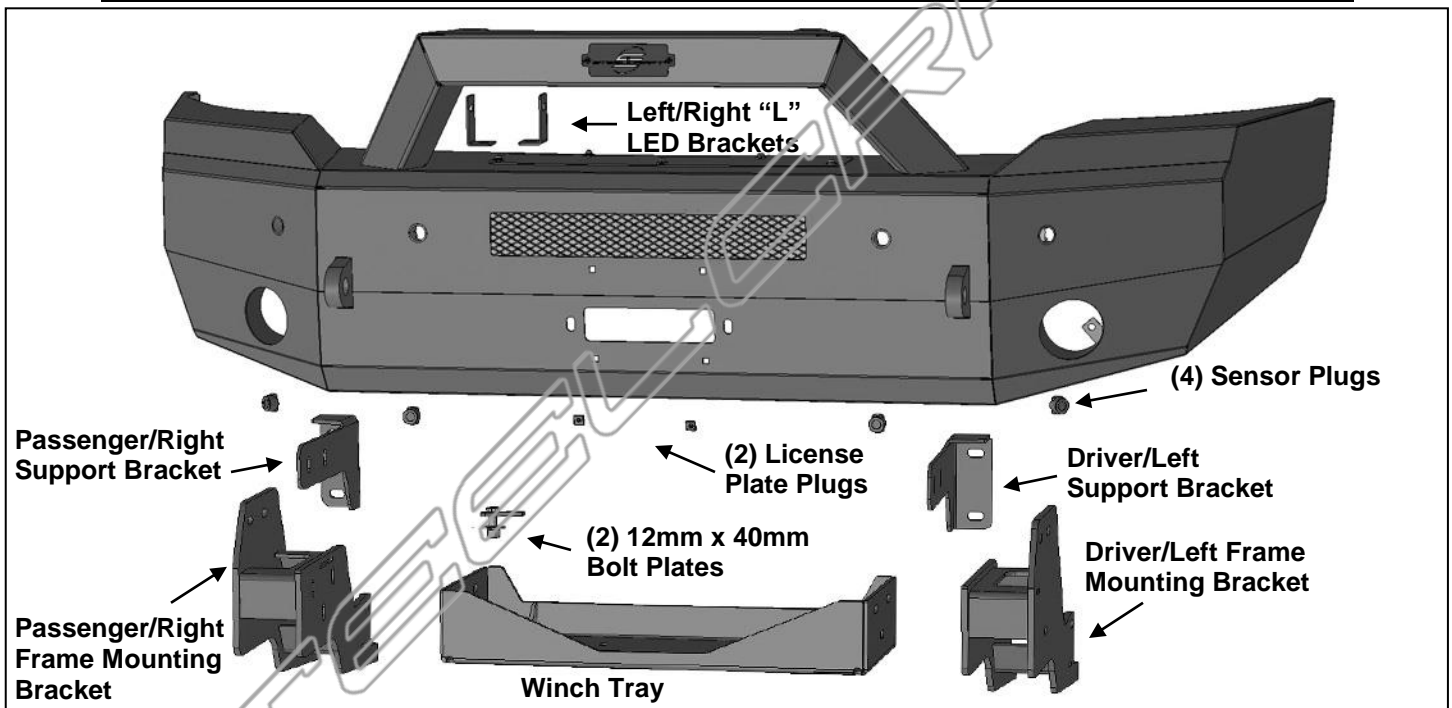


**ELEVATION BULL NOSE FRONT BUMPER  
2015-17 CHEVY SILVERADO 25-3500**

**PARTS LIST:**

1	Front bumper	2	12mm x 40mm Bolt Plates
1	Winch Tray	2	12-1.75mm x 140mm Hex Bolts
1	Driver/left Mounting Bracket	12	12-1.75mm x 50mm Hex Bolts
1	Passenger/right Mounting Bracket	30	12mm x 37mm OD x 3mm Flat Washers
1	Driver/left Lower Support Bracket	16	12mm Nylon Lock Nuts
1	Passenger/right Lower Support Bracket	2	8-1.25mm x 25mm Hex Bolts
1	Driver/left LED Light Bracket	2	8-1.25mm x 16mm Hex Bolt
1	Passenger/right LED Light Bracket	6	8mm x 24mm x 2mm Flat Washer
1	Winch Access Cover	4	8mm Lock Washers
5	6mm Combo Bolts	2	8mm Hex Nuts
1	4mm Wrench	8	4mm x 10mm Button Head Screws
2	Plastic Plugs for License Plate	1	2.5mm Wrench
4	Rubber Sensor Hole Block Offs		



**PROCEDURE:**

**REMOVE CONTENTS FROM BOX. VERIFY ALL PARTS ARE PRESENT. READ INSTRUCTIONS CAREFULLY BEFORE STARTING INSTALLATION. BUMPER IS HEAVY, ASSISTANCE IS HIGHLY RECOMMENDED TO AVOID POSSIBLE INJURY OR DAMAGE TO THE VEHICLE.**

1. Open the hood and remove the plastic cover on top of the radiator and the grille, **(Figure 1)**. Carefully remove the grille. Remove the license plate and bracket. On models with factory fog lights, unplug both lights. On models with bumper mounted sensors, unplug all sensors. Release the wiring harnesses from the clips attached to the back of the bumper and move all wiring harnesses away from bumper.
2. Remove the outer bumper supports from each side of the frame, **(Figure 2)**.
3. Place blocks or jack stands under the front bumper to support it during mounting bolt removal. Once the bumper has been safely supported, from above the bumper, remove the (2) factory bumper bolts from each side, **(Figure 3)**. **WARNING!** Assistance is required to hold the bumper in place during bolt removal to prevent the bumper from falling. Remove the bumper assembly.
4. Remove the factory bumper brackets from the ends of frame and remove both tow hooks, **(Figure 4)**. **NOTE:** Frame Brackets will attach to the tow hook mounting holes.
5. Select a 12mm Bolt Plate. Insert the Bolt Plate into the end of the frame and down through the hole in the bottom of the frame, **(Figure 5)**. Select the driver side Mounting Bracket. Slide the Bracket over the

**ELEVATION BULL NOSE FRONT BUMPER  
2015-17 CHEVY SILVERADO 25-3500**

end of the frame and over the Bolt Plate. Attach the Bracket to the Bolt Plate with the included 12mm Flat Washer and 12mm Nylon Lock Nut, **(Figures 6 & 7)**. Leave hardware loose at this time.

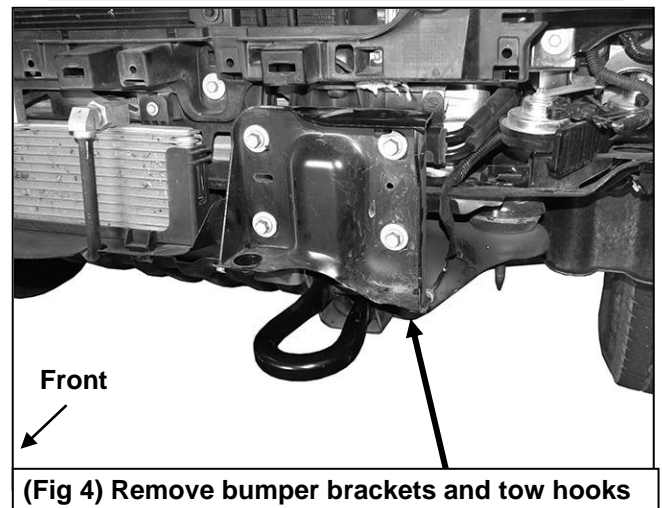
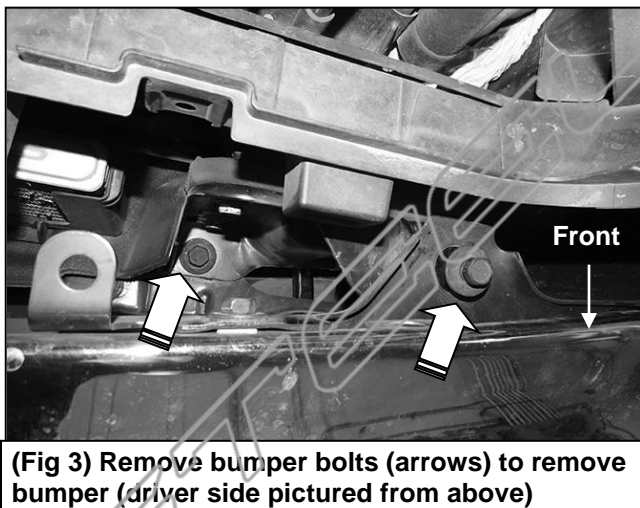
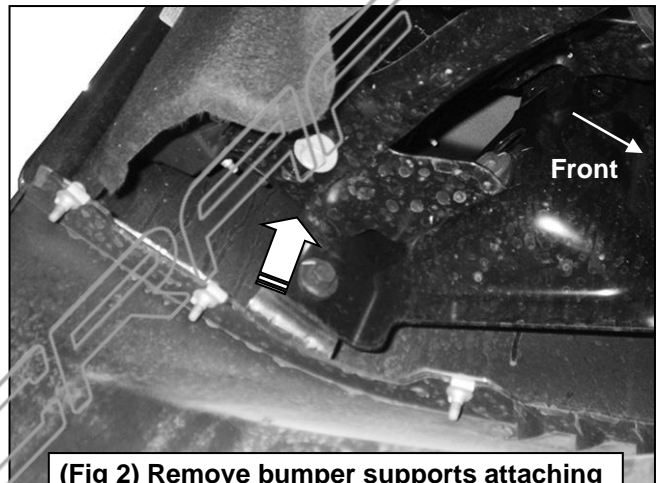
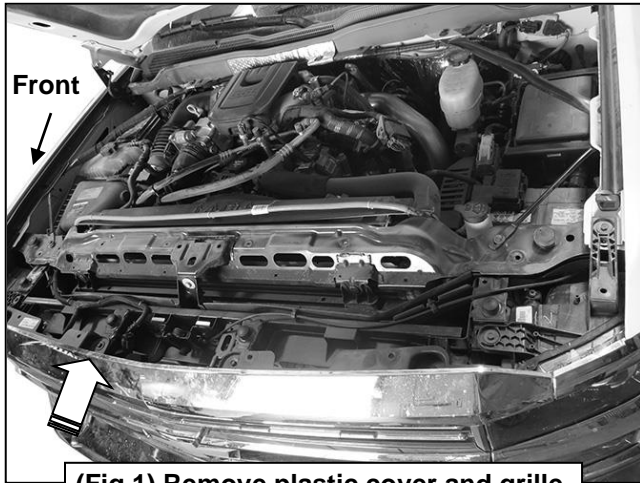
6. Next, line up the mounting tabs on the Mounting Bracket with the holes in the sides of the frame. Attach the Frame Bracket to the sides of the frame with (1) 12mm x 140mm Long Hex Bolt, (2) 12mm Flat Washers and (1) 12mm Nylon Lock Nut, **(Figures 6 & 7)**. Do not fully tighten hardware at this time.
  7. Select the driver/left Support Bracket, **(Figure 8)**. Reuse (2) of the factory bumper bracket bolts to attach the Support Bracket to the outer holes in the bumper mounting flange on the end of the frame, **(Figures 8 & 9)**. Line up the mounting plate on the Support Bracket with the inside of the Frame Mounting Bracket. Do not tighten the Bracket hardware at this time.
  8. Repeat **Steps 5—7** to attach the passenger/right Frame and Support Brackets, **(Figure 9)**.
  9. **Optional Winch Tray and Winch installation (winch sold separately):**
    - a. Select the Winch Tray. With assistance, slide the Winch Tray between the Frame Brackets. Attach the Winch Tray to the Frame Brackets with (6) 12mm x 50mm Hex Bolts, (12) 12mm Flat Washers and (6) 12mm Nylon Lock Nuts, **(Figures 10 & 11)**. Snug but do not fully tighten all hardware. **IMPORTANT: LED bar style light cannot be installed with Winch Tray. If installation of LED bar style light is desired, do not install the Winch Tray and skip to Step 11.**
    - b. If installing winch, follow manufacturer's instructions to attach the winch to the Winch Tray. Winch must be installed before Bumper is placed in position against Brackets. Attach winch cable guide, (not included), to Bumper assembly. Follow manufacturer's instructions to properly wire the winch to the electrical system.
  10. **Optional Center LED light installation (sold separately). NOTE:** Light must be installed before Bumper Assembly is attached to the Frame Brackets. **IMPORTANT: Winch Tray cannot be installed with LED bar style light assembly.**
    - a. Select the L/R "L" Brackets, **(Figure 12)**. **NOTE:** "L" Brackets are offset for universal fitment for most LED bar style lights. Attach the LED light assembly to the "L" Brackets with the included (2) 8mm x 16mm Hex Bolts, (2) 8mm Lock Washers and (2) 8mm Flat Washers. Do not fully tighten hardware at this time. **NOTE:** "L" Brackets may require modification for hardware larger than 8mm or use brackets supplied with light if possible.
    - b. Attach the light and Brackets to the top of the (2) tabs on the back of the Bumper with the included 8mm x 25mm Hex Bolts, (4) 8mm Flat Washers, (2) 8mm Lock Washers and (2) 8mm Hex Nuts, **(Figure 12)**. Adjust light position and tighten hardware.
    - c. Follow light manufacturer's instructions to wire the light once Bumper has been fully installed.
- Models without bumper sensors:**
- a. Select the included (4) Rubber Plugs.
  - b. From behind bumper, push plugs into sensor mounting holes, **(Figure 13)**.
- Models with bumper mounted sensors:**
- a. Push the sensor into the mounting socket in the back of the bumper.
  - b. Secure each sensor to the socket with (2) 4mm x 10mm Button Head Screws, **(Figure 13)**. **IMPORTANT:** Sensors fit snug in sockets. The 4mm Screws are used to apply slight pressure to lock the sensors in place. Tighten both screws evenly until they touch the sensor body only. Do not overtighten screws or damage to sensors will result.
11. With assistance, position the Bumper Assembly up to and over the Brackets. Temporarily support the weight of the Bumper. **WARNING:** To avoid possible injury or damage to the vehicle, do not proceed until the Bumper is fully and safely supported.
  12. Line up the (3) holes in the driver side mounting plate on the inside of the Bumper with the (3) slots in the Frame Bracket. Attach the Bumper to the Bracket with the included (3) 12mm x 50mm Hex Bolts, (6) 12mm Flat Washers and (3) 12mm Nylon Lock Nuts, **(Figures 14 & 15)**. Do not fully tighten hardware at this time. Repeat to attach the passenger side mounting plate to the Frame Bracket.
  13. Level and adjust the bumper and fully tighten all 12mm hardware to 65-70ft-lbs.
  14. **Models with factory fog lights:**
    - a. Slide the driver side fog light into place through the opening in the bumper, **(Figured 16 & 17)**. Carefully push the attaching posts into the tabs on the bumper. Repeat this **Step** to install passenger side light.
  15. Reattach the factory wiring harness to both lights and/or sensors if equipped.

**ELEVATION BULL NOSE FRONT BUMPER  
2015-17 CHEVY SILVERADO 25-3500**

16. Use the included (2) push-in Plastic Nuts to attach the front license plate, (if required), to the (2) holes in the front Bumper, **(Figure 18)**.
17. Do periodic inspections to the installation to make sure that all hardware is secure and tight.

**To protect your investment**, wax this product after installing. Regular waxing is recommended to add a protective layer over the finish. Do not use any type of polish or wax that may contain abrasives that could damage the finish. Mild soap may be used to clean the Bumper assembly.

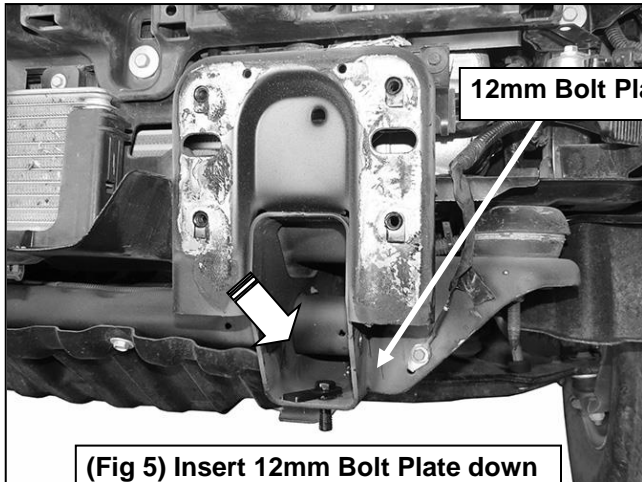
**Driver Side Installation Pictured**



**WARNING!** Do not remove bumper bolts unless the bumper is properly supported on blocks or stands or the bumper may fall.

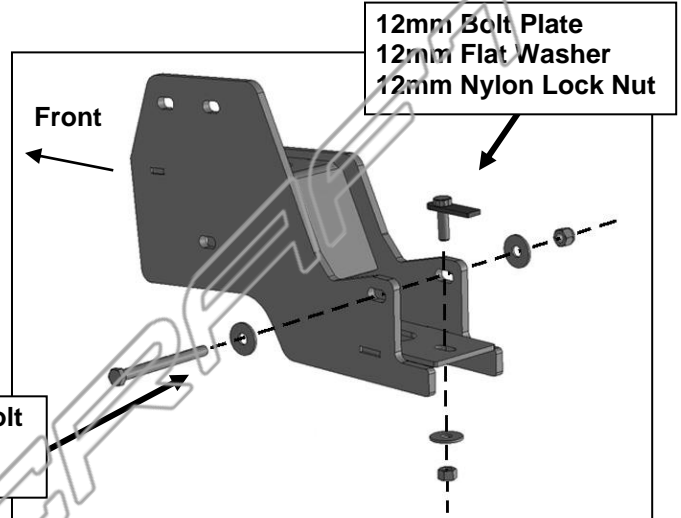
**ELEVATION BULL NOSE FRONT BUMPER  
2015-17 CHEVY SILVERADO 25-3500**

**Driver Side Installation Pictured**

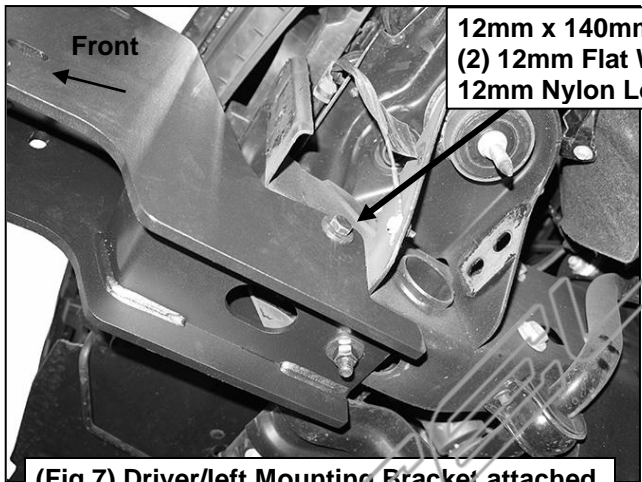


**(Fig 5) Insert 12mm Bolt Plate down through hole in bottom of the frame**

**WARNING!** Do not crawl under bumper unless the bumper is properly supported on blocks or stands or the bumper may fall.



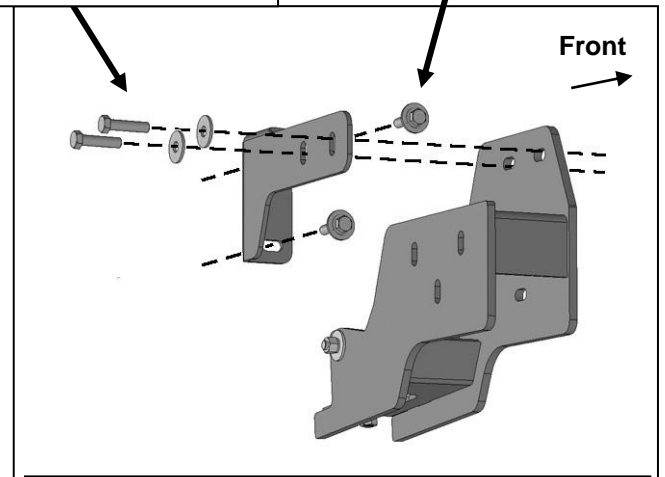
**(Fig 6) Attach driver/left Mounting Bracket to frame**



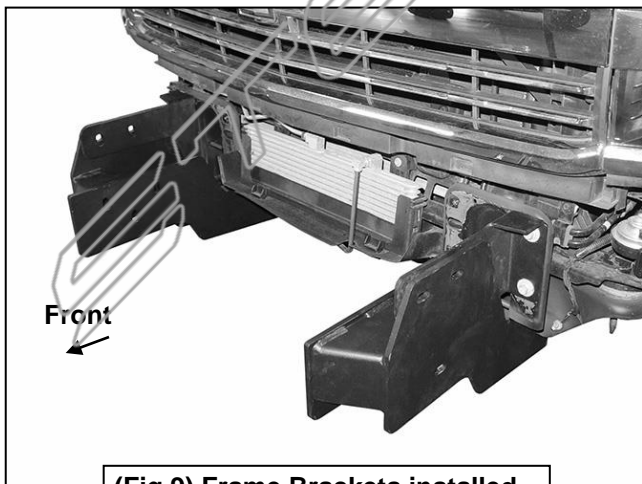
**(Fig 7) Driver/left Mounting Bracket attached to frame and pictured from below**

(2) 12mm x 50mm Hex Bolts  
(2) 12mm Flat Washers  
To line up Support Bracket  
with Frame Bracket

Reuse factory  
bumper bolts



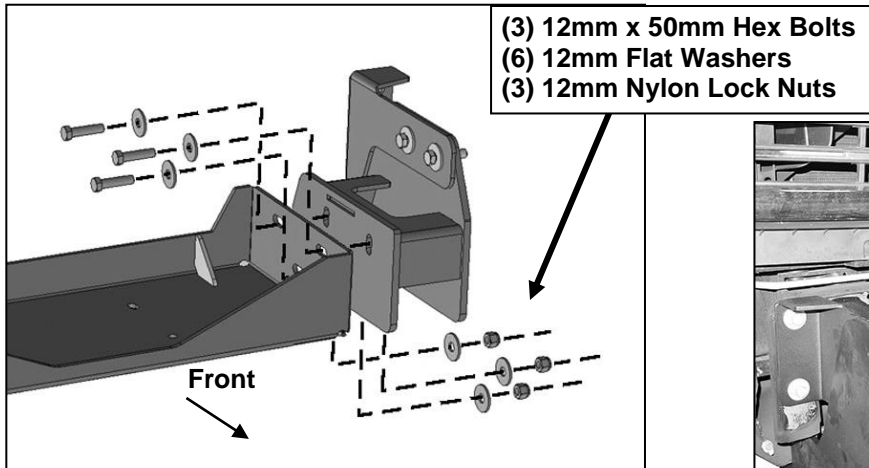
**(Fig 8) Reuse (2) factory bumper bolts to attach Support Bracket to mounting plate on frame**



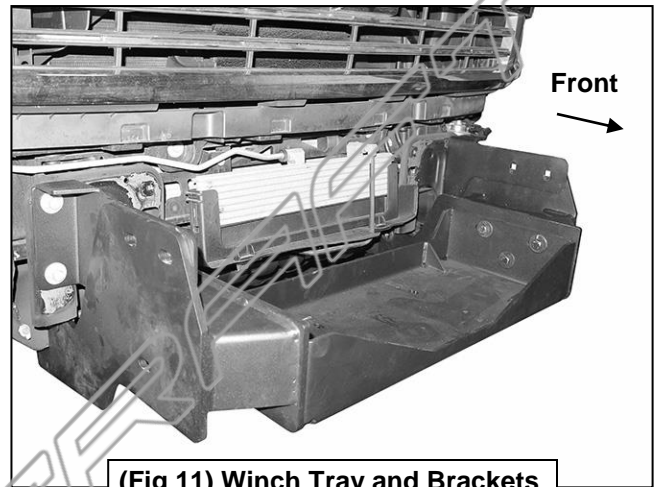
**(Fig 9) Frame Brackets installed**

ELEVATION BULL NOSE FRONT BUMPER  
2015-17 CHEVY SILVERADO 25-3500

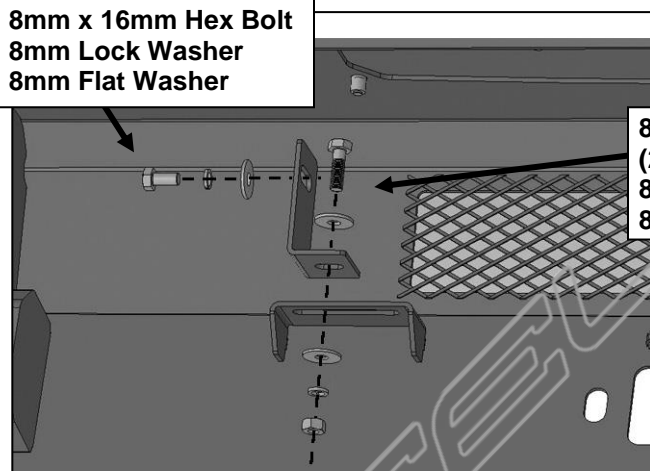
Driver side installation pictured



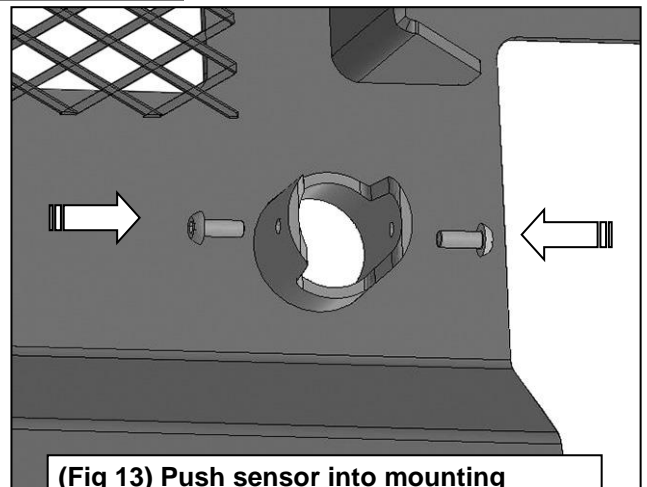
(Fig 10) Attach Winch Tray to inside of Brackets



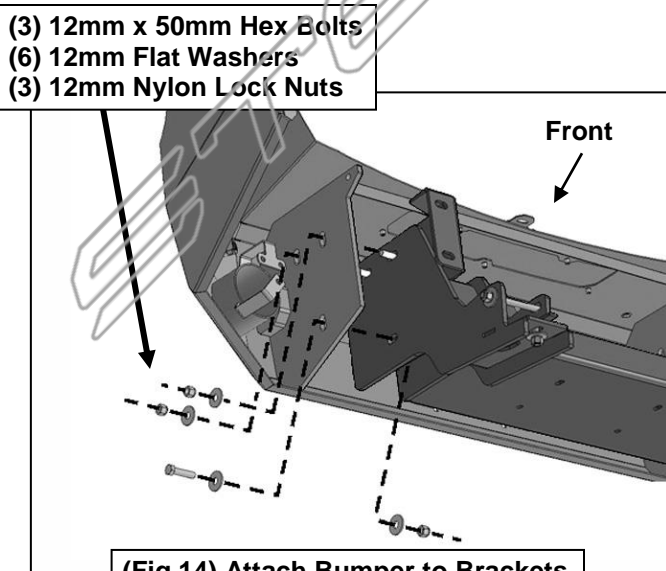
(Fig 11) Winch Tray and Brackets



(Fig 12) Universal LED Brackets (light not included)



(Fig 13) Push sensor into mounting sleeve. Use 4mm Screws to lock sensor



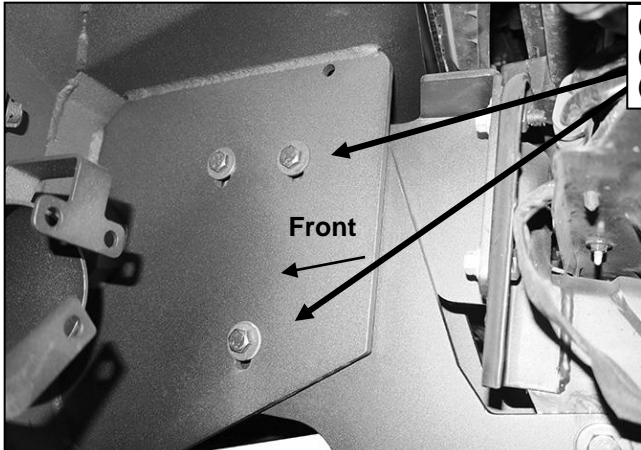
(Fig 14) Attach Bumper to Brackets

**IMPORTANT:** Sensors fit snug in sockets. The 4mm Screws are only used to apply slight pressure to lock the sensors in place. Tighten both screws evenly until they touch the sensor body only. Do not overtighten screws or damage to sensors will result.

**WARNING!** Do not crawl under bumper unless the bumper is properly supported on blocks or stands or the bumper may fall.

**ELEVATION BULL NOSE FRONT BUMPER  
2015-17 CHEVY SILVERADO 25-3500**

**Driver side installation pictured**

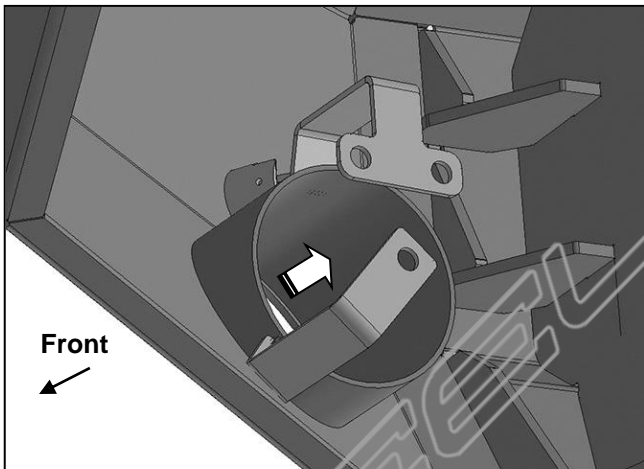


- (3) 12mm x 50mm Hex Bolts
- (6) 12mm Flat Washers
- (3) 12mm Nylon Lock Nuts

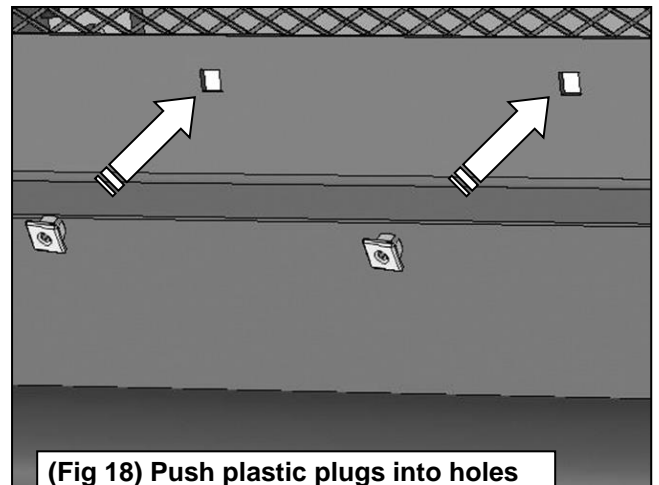
**(Fig 15) Driver/left pictured from back of Bumper**



**(Fig 16) Factory fog light**



**(Fig 17) Attach factory fog light to mounting tabs**



**(Fig 18) Push plastic plugs into holes in Bumper for license plate if required**

