

INSTALLATION INSTRUCTIONS

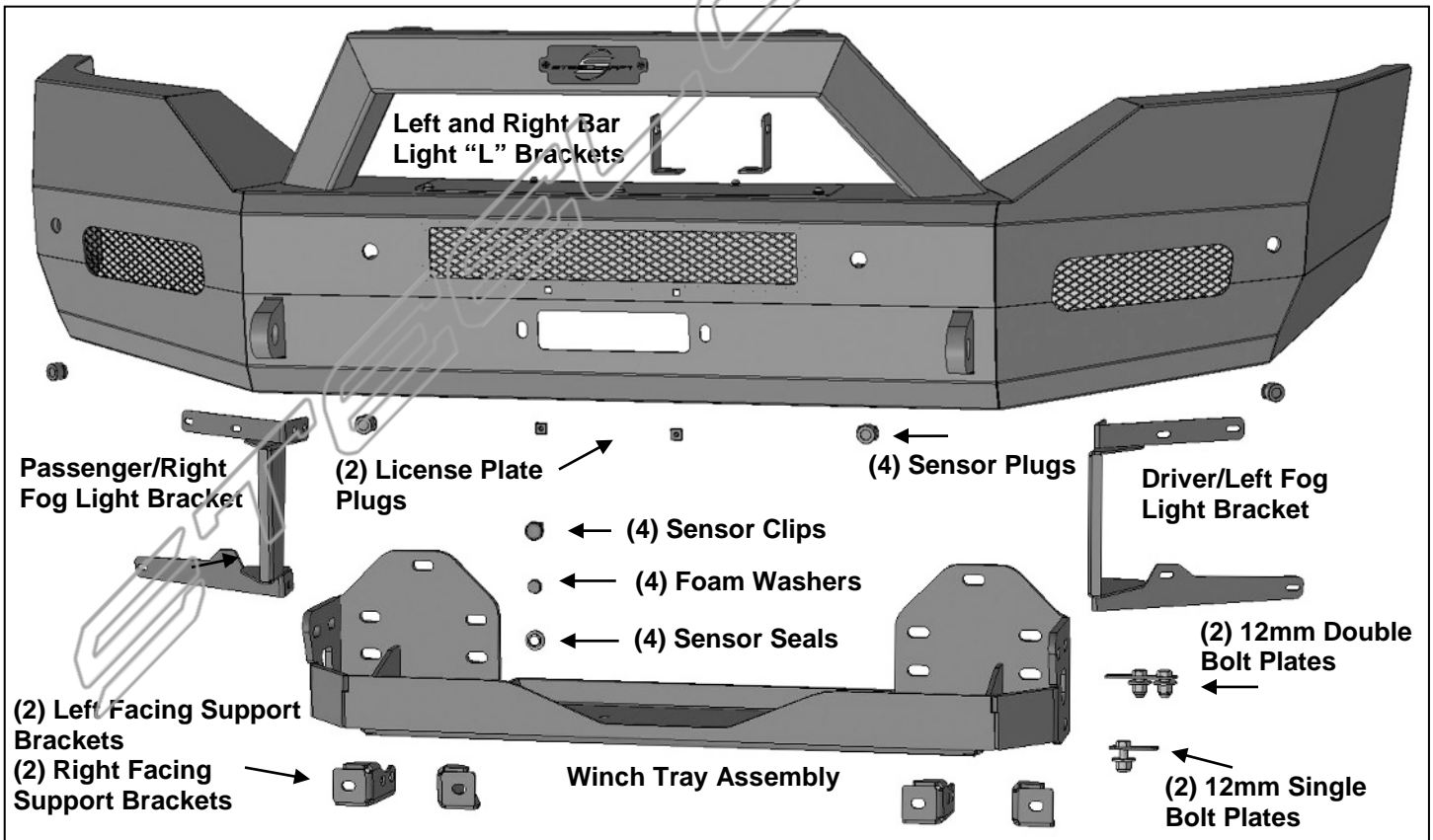
**ELEVATION BULL NOSE FRONT BUMPER
2016-18 GMC SIERRA 1500**

STEEL DEFLECT

**ELEVATION BULL NOSE FRONT BUMPER
2016-18 GMC SIERRA 1500**

PARTS LIST:

1	Elevation Bull Nose Front Bumper Assembly	10	12-1.75mm x 50mm Hex Bolts
1	Winch Tray/Bracket Assembly	26	12mm x 32mm OD x 3mm Flat Washers
1	Winch Access Cover	16	12mm Nylon Lock Nuts
2	Left Support Brackets	6	8-1.25mm x 30mm Hex Bolts
2	Right Support Brackets	2	8-1.25mm x 25mm Hex Bolts
1	Driver/left Fog Light Bracket	2	8-1.25mm x 16mm Hex Bolt
1	Passenger/right Fog Light Bracket	18	8mm x 24mm x 2mm Flat Washer
1	Driver/left LED light bracket	4	8mm Lock Washers
1	Passenger/right LED light bracket	6	8mm Nylon Lock Nuts
2	Plastic Plugs for License Plate	2	8mm Hex Nuts
4	Sensor Seals	8	6-1.0mm x 20mm Hex Bolts
4	20mm x 2mm Foam Pads	16	6mm x 18mm x 1.6mm Flat Washers
4	Sensor Retaining Clips	8	6mm Nylon Lock Nuts
1	Sensor Cover Kit	5	6mm Combo Bolts (winch access cover)
2	GM Wiring Extensions	1	4mm Wrench (combo bolts)
4	Rubber Sensor Hole Plugs	8	4mm x 10mm Socket Head Screws
2	12mm Single Bolt Plates	1	2.5mm Wrench
2	12mm Double Bolt Plates		



PROCEDURE:

REMOVE CONTENTS FROM BOX. VERIFY ALL PARTS ARE PRESENT. READ INSTRUCTIONS CAREFULLY BEFORE STARTING INSTALLATION. BUMPER IS HEAVY, ASSISTANCE IS HIGHLY RECOMMENDED TO AVOID POSSIBLE INJURY OR DAMAGE TO THE VEHICLE.

1. Remove the license plate and bracket. Move to the front of the passenger/right wheel opening. Remove the screws attaching front portion of the plastic fender flare to the fender, **(Figure 1)**. Also remove the

**ELEVATION BULL NOSE FRONT BUMPER
2016-18 GMC SIERRA 1500**

push in clip and screws attaching the forward end of the fender liner. **NOTE:** Fender flare and liner do not need to be removed, only release the front half of the flare and liner to access the hardware attaching the plastic fascia body panel.

2. Carefully pull the fender flare straight out to release it from the clips, **(Figure 2)**. Locate and remove the small hex bolt from the opening behind the flare, **(Figure 3)**. Carefully pull the plastic body panel (fascia) out from the fender and below the headlight.
3. Repeat **Steps 1 & 2** to release the driver/left side of the fascia body panel. Next, from behind the bumper, release the clips from the center of the plastic fascia body panel and remove the panel, **(Figure 4)**.
4. On models with factory fog lights and/or bumper mounted sensors, unplug the wiring harness leading to the bumper, **(Figure 5)**. Move all wiring harnesses away from bumper.
5. Open the hood and remove the cover between the top of the radiator and the grille, **(Figure 6)**. Remove the bolts attaching the grille to the cross member and carefully remove the grille, **(Figure 7)**.
6. Remove the outer bumper supports running from the outside of the frame to each end of the bumper, **(Figure 8)**.
7. Place blocks or jack stands under the front bumper to support it during mounting bolt removal. Once the bumper has been safely supported, from above, remove the factory bumper bolts attaching the bumper to the inner bumper bracket bolted to the end of the frame, **(Figure 9)**. **WARNING!** Assistance is required to hold the bumper in place during bolt removal to prevent the bumper from falling. Slide the bumper assembly with brackets off of the frame, **(Figure 10)**.
8. Reinstall the grille, fascia body panel and top cover, **(Figure 11)**. Reattach the fender flares and liners.
9. Remove both bumper brackets and tow hooks from the ends of the frame, **(Figures 10 & 11)**.
10. Select (1) Left Facing and (1) Right Facing Support Bracket, **(Figure 12)**. Starting on the driver side, attach the Left Facing Support Bracket to the inner facing side of the frame with (1) 12mm Double Bolt Plate, (2) 12mm Flat Washers and (2) 12mm Nylon Lock Nuts, **(Figures 12—15)**. Next, attach (1) Right Facing Support Bracket to the outer facing side of the frame with (1) 12mm Single Bolt Plate, (1) 12mm Flat Washer and (1) 12mm Nylon Lock Nut, **(Figures 12—15)**. Do not tighten hardware at this time.
11. Repeat **Step 10** to install the Support Brackets on the passenger/right side of the frame, **(Figure 15)**.
12. Select the Winch Tray/Bracket Assembly. Reuse the (6) factory bumper bolts to attach the top mounting holes on the Winch Tray to the threaded bumper mounts, **(Figure 16)**. Attach the (4) lower holes in the Winch Tray to the (4) previously installed Support Brackets with (4) 12mm x 50mm Hex Bolts, (8) 12mm Flat Washers and (4) 12mm Nylon Lock Nuts, **(Figures 17 & 18)**. Snug but do not fully tighten hardware.
13. If installing winch, follow manufacturer's instructions to attach the winch to the Winch Tray. Winch must be installed before Bumper is placed in position against Brackets. Install winch cable guide on Bumper assembly. Follow manufacturer's instructions to properly wire the winch to the electrical system.
14. **Optional Center LED light installation** (sold separately). **NOTE:** Light must be installed before Bumper Assembly is attached to the Winch Tray. **IMPORTANT:** Clearance between the bar style LED light and the winch and/or winch tray must be determined before installing Bumper assembly.
 - a. Select the L/R "L" Brackets, **(Figure 19)**. **NOTE:** "L" Brackets are offset for universal fitment for most LED bar style lights. Attach the LED light assembly to the "L" Brackets with the included (2) 8mm x 16mm Hex Bolts, (2) 8mm Lock Washers and (2) 8mm Flat Washers. Do not fully tighten hardware at this time. **NOTE:** "L" Brackets may require modification for hardware larger than 8mm or use brackets supplied with light if possible.
 - b. Attach the light and brackets to the top of the (2) tabs on the back of the Bumper with the included 8mm x 25mm Hex Bolts, (4) 8mm Flat Washers, (2) 8mm Lock Washers and (2) 8mm Hex Nuts, **(Figure 19)**. Adjust light position and tighten hardware.
 - c. Follow light manufacturer's instructions to wire the light once Bumper has been fully installed.
15. **Determine if the vehicle is equipped with sensors and /or fog lights.** Models with sensors and/or fog lights, remove fog lights, sensors and factory wiring harness from bumper, **(Figure 20)**. **NOTE:** See **Step 19** for fog light installation after Bumper has been installed.

Models without bumper sensors:

 - a. Select the included (4) Rubber Plugs.

**ELEVATION BULL NOSE FRONT BUMPER
2016-18 GMC SIERRA 1500**

- b. From behind bumper, push plugs into sensor mounting holes, **(Figure 21)**. **NOTE:** 4mm screws have been included to help lock plugs in the sleeves-use is optional.

Models with bumper mounted sensors:

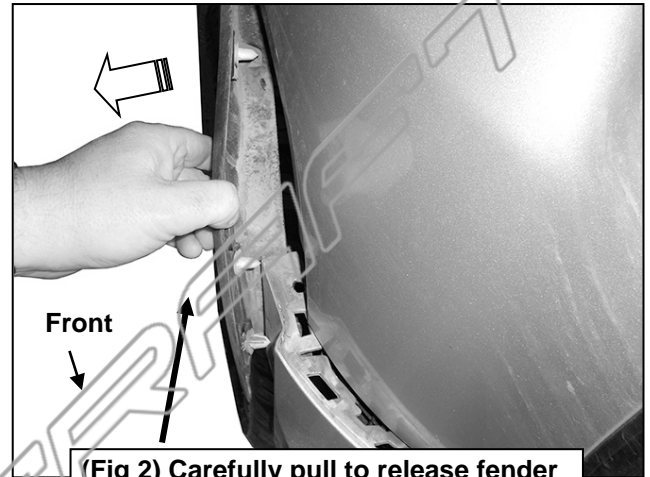
- a. Test fit sensor in sleeve. It may be necessary to cut or grind off the tabs on the sides of the sensor to fit into the sleeve.
 - b. Remove the silicone seal from the end of the sensor. Slide the included larger Sensor Seal over front of sensor, **(Figure 22)**.
 - c. Insert sensor with Seal into sensor mount, **(Figure 23)**.
 - d. Place Foam Washer over end of sensor. Push Sensor Retaining Clip into sensor mount and lock into mounting holes, **(Figure 23)**.
 - e. Repeat previous Steps to install remaining sensors.
 - f. Install wiring harness for sensors and plug harness into sensors only at this time, **(Figure 24)**. **IMPORTANT:** Wiring harness should reach all sensors or use the included (2) Wiring Extensions to extend the length of the harness as necessary.
 - g. **Optional:** Secure each sensor to the socket with the included (2) 4mm x 10mm Button Head Screws. **IMPORTANT:** Sensors fit snug in sockets. The 4mm Screws are used to apply slight pressure to lock the sensors in place or aim sensors. Tighten both screws evenly until they touch the sensor body only. Do not overtighten screws or damage to sensors will result.
16. With assistance, carefully position the Bumper Assembly up to the Mounting Brackets. Temporarily support the weight of the Bumper. **WARNING:** To avoid possible injury or damage to the vehicle, do not proceed until the bumper is fully and safely supported. Models with winch and/or LED light, check for clearance before fully installing Bumper assembly.
17. Line up the (3) holes in the driver/left side of the Bumper with the (3) holes in the Winch Tray Assembly, **(Figures 25 & 26)**. Attach the mounting plate on the back of the Bumper to the Winch Tray with the included (3) 12mm x 50mm Hex Bolts, (6) 12mm Flat Washers and (3) 12mm Nylon Lock Nuts, **(Figures 25 & 26)**. Do not fully tighten hardware at this time. Repeat this **Step** to attach the passenger/right side of the Bumper to the Winch Tray.
18. Level and adjust the bumper and fully tighten all 12mm hardware to 65-70ft-lbs.
19. **Models with fog lights:**
- a. Select the passenger/right Light Adapter Bracket, **(Figure 27)**.
 - b. Attach the fog light to the Bracket with the included (4) 6mm x 20mm Hex bolts, (8) 6mm Flat Washers and (4) 6mm Nylon Lock Nuts, **(Figure 27)**. **NOTE:** Light cover cannot be reinstalled.
 - c. Attach the Bracket with light to the mounting plate on the back of the Bumper with (3) 8mm x 30mm Hex Bolts, (6) 8mm Flat Washers and (3) 8mm Nylon Lock Nuts, **(Figures 28 & 29)**.
 - d. Repeat this Step to install driver/left light assembly.
 - e. Reattach the factory wiring harness to both lights.
20. Use the included (2) push-in Plastic Nuts to attach the front license plate, (if required), to the (2) holes in the front Bumper, **(Figure 30)**.
21. Do periodic inspections to the installation to make sure that all hardware is secure and tight.

To protect your investment, wax this product after installing. Regular waxing is recommended to add a protective layer over the finish. Do not use any type of polish or wax that may contain abrasives that could damage the finish. Mild soap may be used to clean the Heavy Duty Front Bumper assembly.

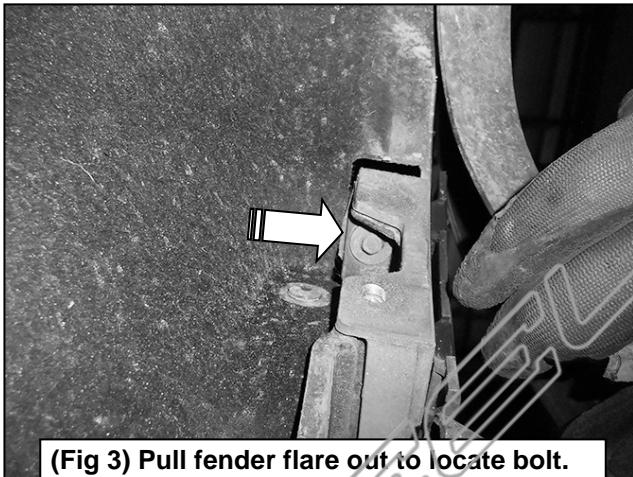
Passenger/right Installation Pictured



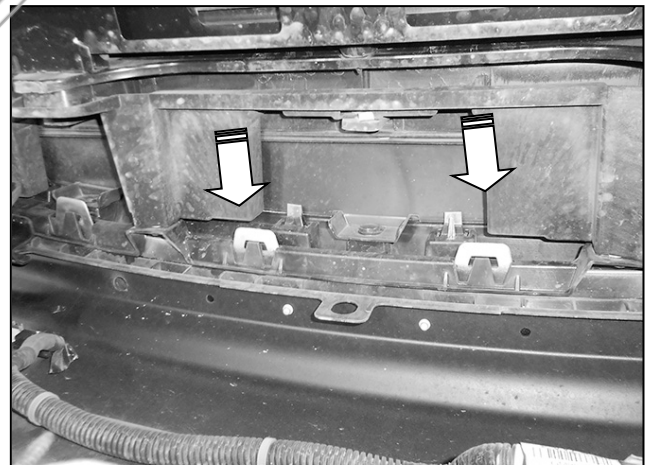
(Fig 1) Release clips and hardware attaching fender liner and front end of flare (arrows)



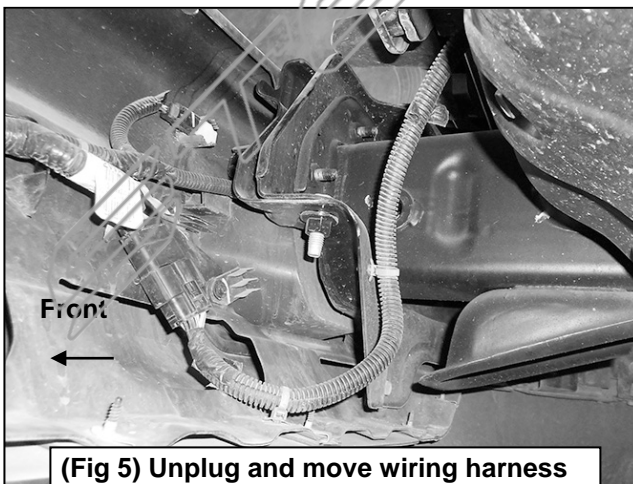
(Fig 2) Carefully pull to release fender flare and to remove fascia (arrow)



(Fig 3) Pull fender flare out to locate bolt. Remove bolt to release fascia body panel



(Fig 4) From behind bumper, release clips attaching plastic fascia panel (arrows) to center-top of bumper. Remove fascia panel to access grille and bumper hardware from above.

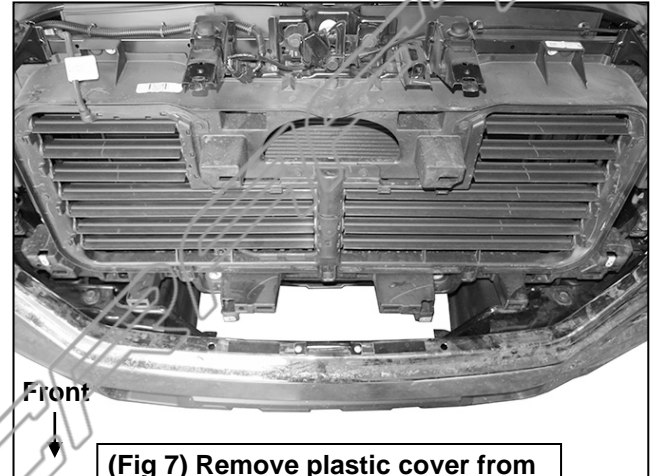


(Fig 5) Unplug and move wiring harness away from bumper before removal

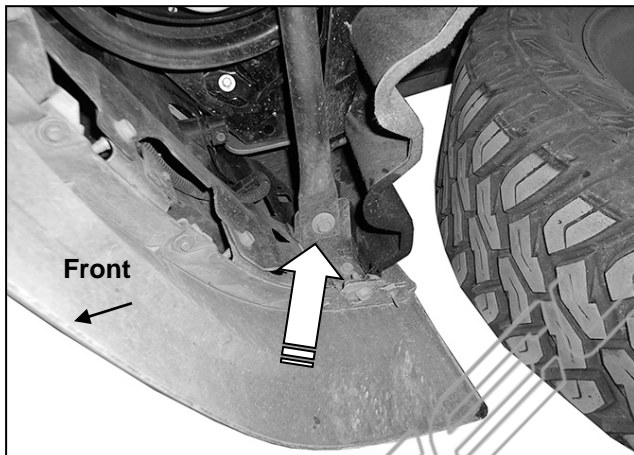
Passenger/right Installation Pictured



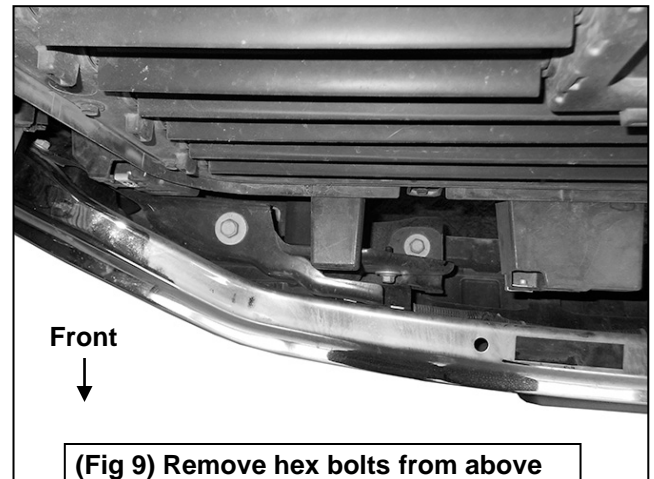
(Fig 6) Remove plastic cover from top of radiator (arrow). Temporarily remove grille



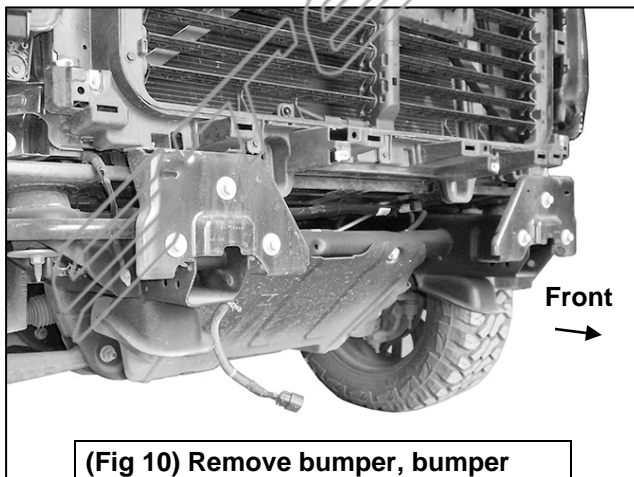
(Fig 7) Remove plastic cover from top of radiator and remove grille



(Fig 8) Remove outer bumper supports (arrow)



(Fig 9) Remove hex bolts from above (arrow) and remove bumper assembly



(Fig 10) Remove bumper, bumper brackets and tow hooks if equipped

WARNING! Do not crawl under bumper or remove bumper bolts unless the bumper is properly supported on blocks or stands or the bumper may fall.

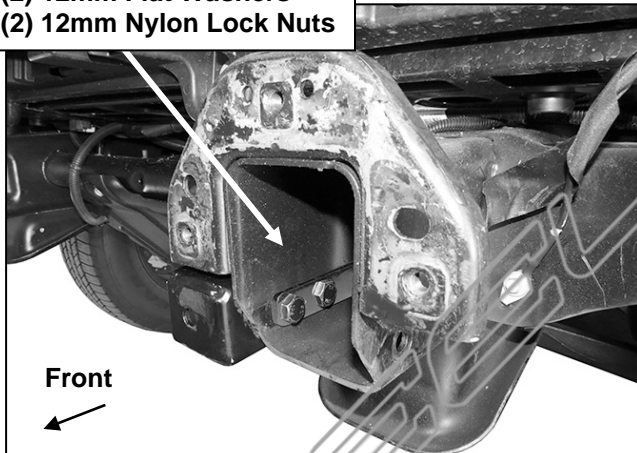
ELEVATION BULL NOSE FRONT BUMPER
2016-18 GMC SIERRA 1500

Passenger/right Installation Pictured



(Fig 11) Remove bumper brackets and tow hooks, reinstall plastic grille and fascia panel

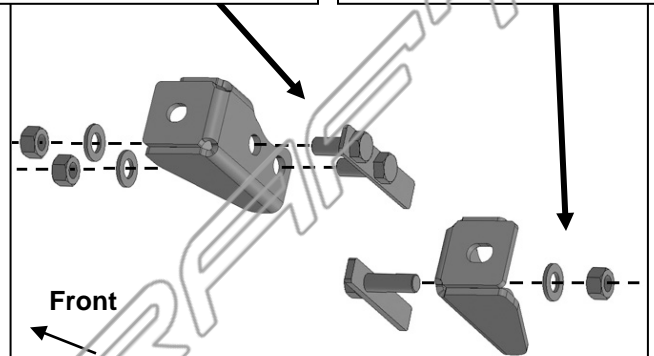
12mm Double Bolt Plate
(2) 12mm Flat Washers
(2) 12mm Nylon Lock Nuts



(Fig 13) Attach Support Brackets to frame using factory holes for tow hooks. Driver side pictured

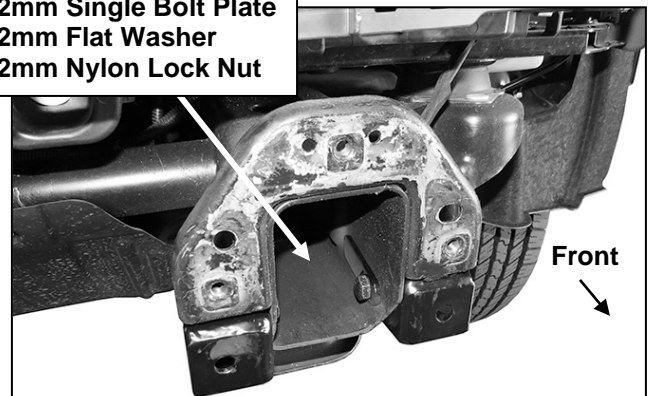
12mm Double Bolt Plate
(2) 12mm Flat Washers
(2) 12mm Nylon Lock Nuts

12mm Single Bolt Plate
12mm Flat Washer
12mm Nylon Lock Nut

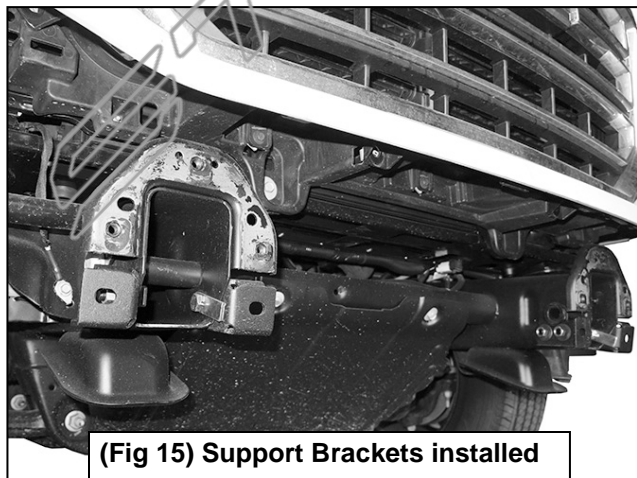


(Fig 12) Attach Support Brackets to frame

12mm Single Bolt Plate
12mm Flat Washer
12mm Nylon Lock Nut



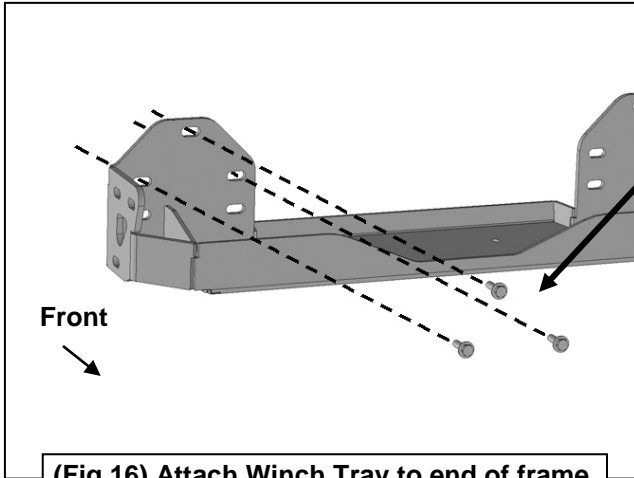
(Fig 14) Attach Support Brackets to frame using factory holes for tow hooks. Driver side pictured



(Fig 15) Support Brackets installed

ELEVATION BULL NOSE FRONT BUMPER
2016-18 GMC SIERRA 1500

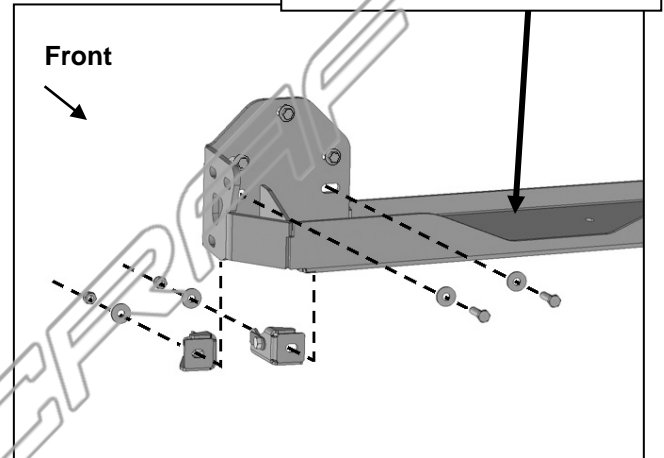
Passenger/right Installation Pictured



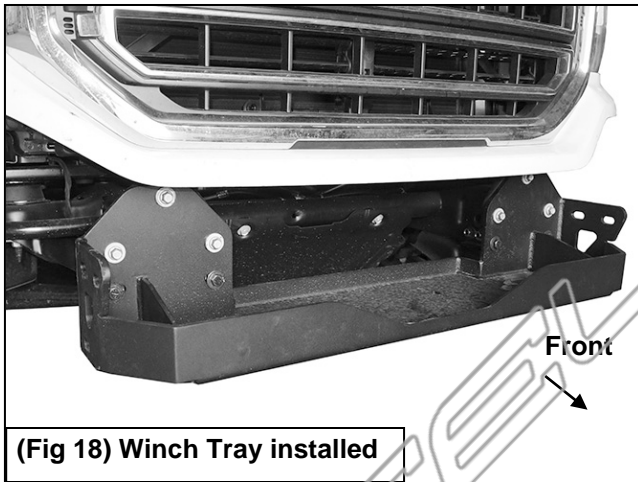
(Fig 16) Attach Winch Tray to end of frame

Reuse Factory bumper bolts to attach Winch Tray Assembly to factory frame bracket

- (2) 12mm x 50mm Hex Bolts
- (4) 12mm Flat Washers
- (2) 12mm Nylon Lock Nuts



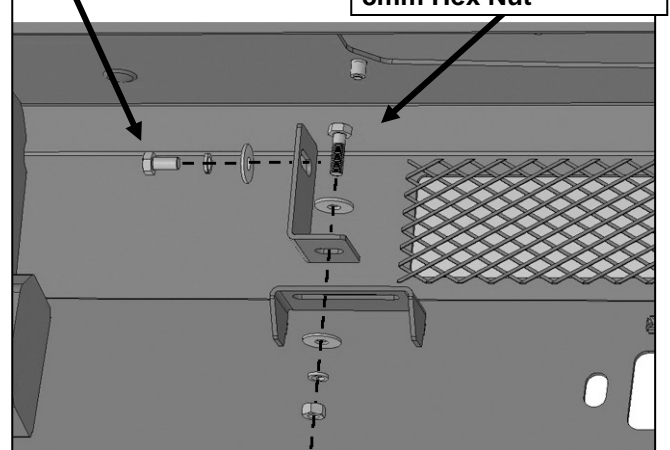
(Fig 17) Attach Winch Tray to Support Brackets



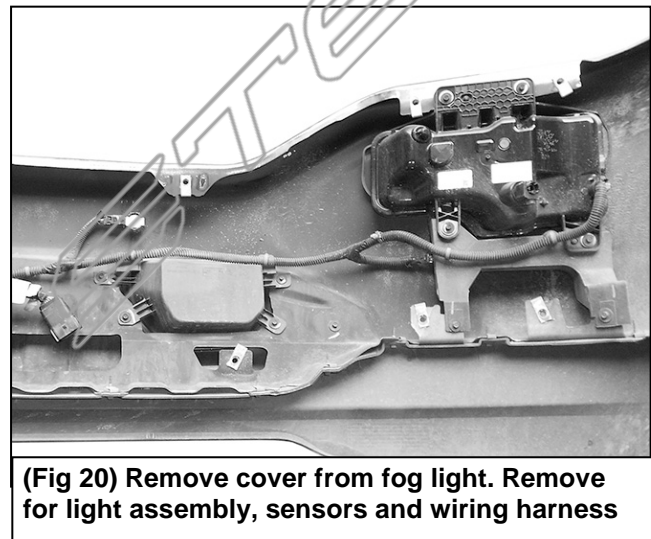
(Fig 18) Winch Tray installed

- 8mm x 16mm Hex Bolt
- 8mm Lock Washer
- 8mm Flat Washer

- 8mm x 25mm Hex Bolt
- (2) 8mm Flat Washers
- 8mm Lock Washer
- 8mm Hex Nut



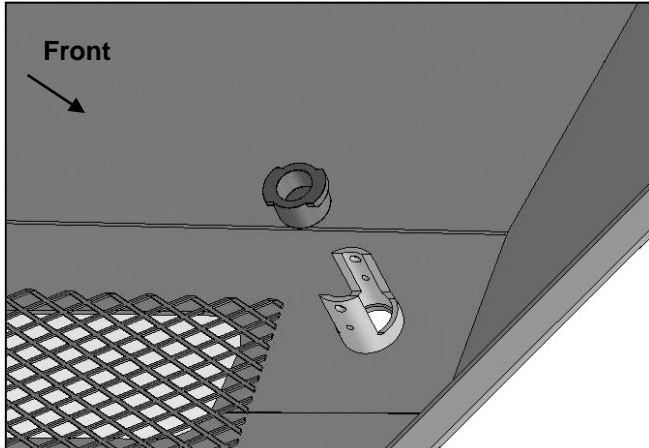
(Fig 19) Universal LED Brackets (light not included)



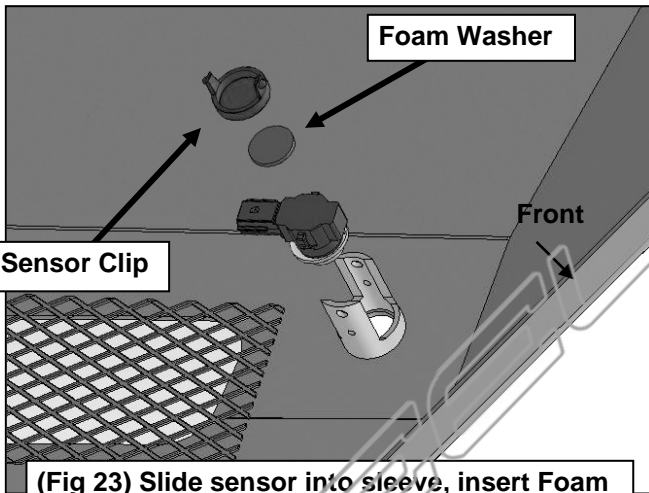
(Fig 20) Remove cover from fog light. Remove for light assembly, sensors and wiring harness

ELEVATION BULL NOSE FRONT BUMPER
2016-18 GMC SIERRA 1500

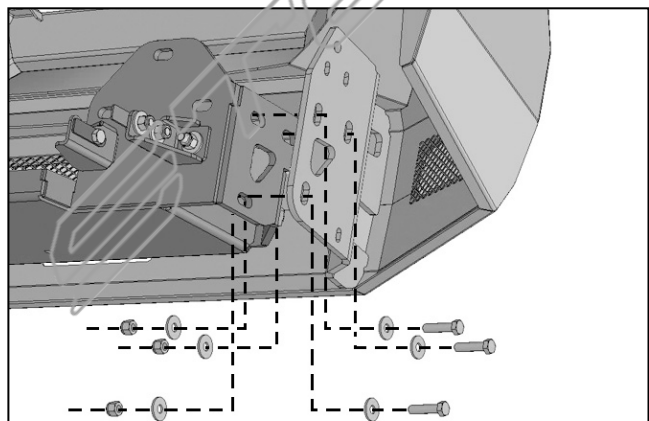
Passenger/right Installation Pictured



(Fig 21) On models without sensors, push included rubber plugs into mounting sleeves

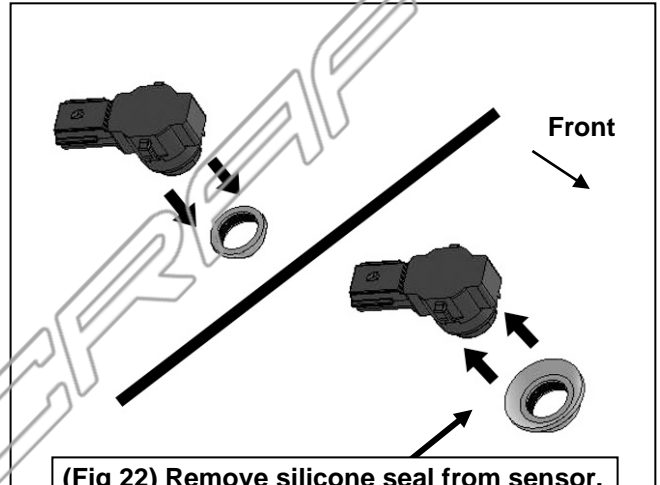


(Fig 23) Slide sensor into sleeve, insert Foam Washer and Clip to lock sensor in sleeve

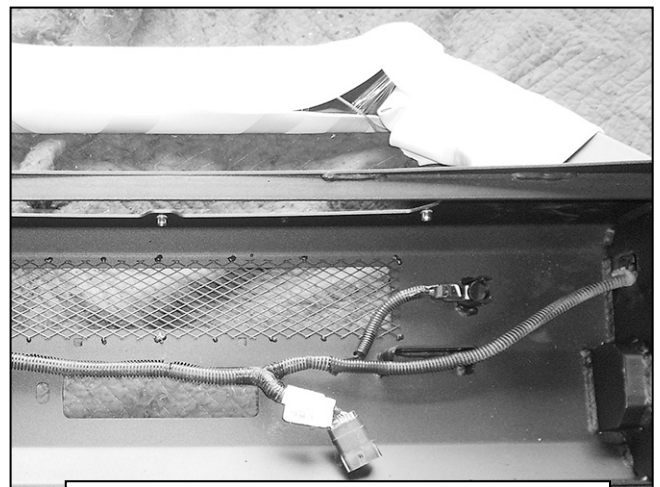


(Fig 25) Passenger/right side of Bumper attached to Winch Tray (w/o fog light assembly)

NOTE: Sensor plugs fit snug in sockets. Use of the 4mm Screws is optional. 4mm Screws can also be used to apply slight pressure to lock the sensors in place or to aim the sensor. Tighten both screws evenly until they touch the sensor body only. Do not overtighten screws or damage to sensors will result.



(Fig 22) Remove silicone seal from sensor. Slide large Seal over end of sensor (arrow)

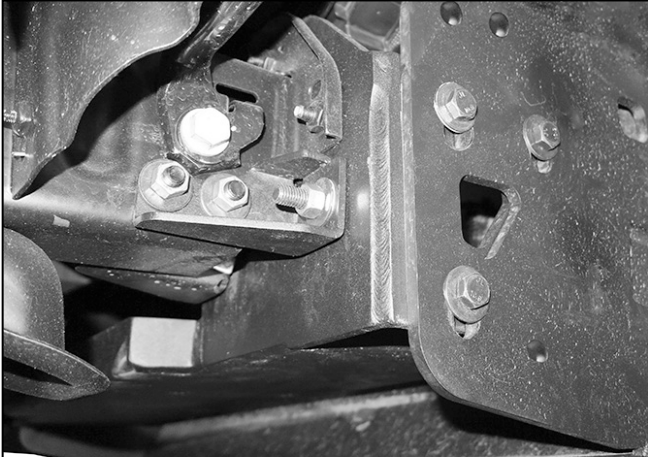


(Fig 24) Attach factory wiring harness to sensors if equipped. NOTE: (2) Wiring Harnesses are included to extend the length of the factory harness as needed.

WARNING! Do not crawl under bumper unless the bumper is properly supported on blocks or stands or the bumper may fall.

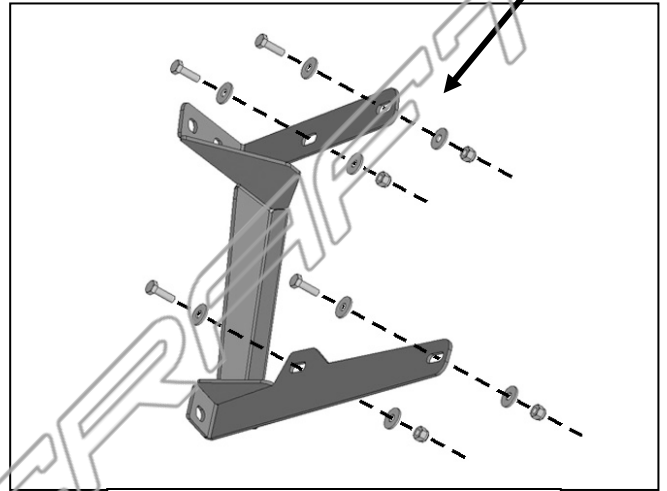
ELEVATION BULL NOSE FRONT BUMPER
2016-18 GMC SIERRA 1500

Passenger/right Installation Pictured

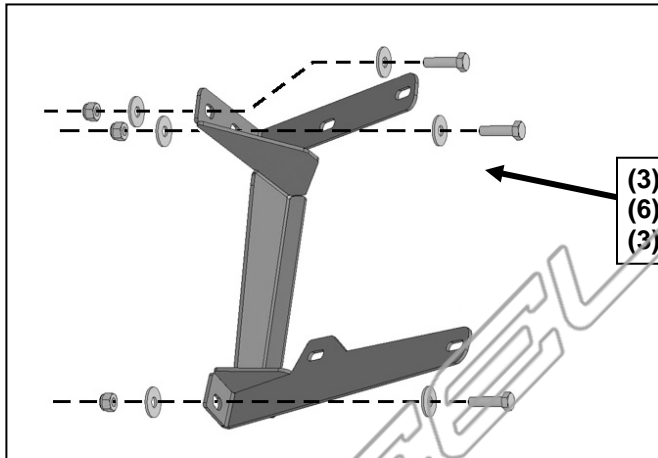


(Fig 26) Passenger/right side of Bumper attached to Winch Tray (w/o fog light assembly)

- (4) 6mm x 20mm Hex Bolts
- (8) 6mm Flat Washers
- (4) 6mm Nylon Lock Nuts

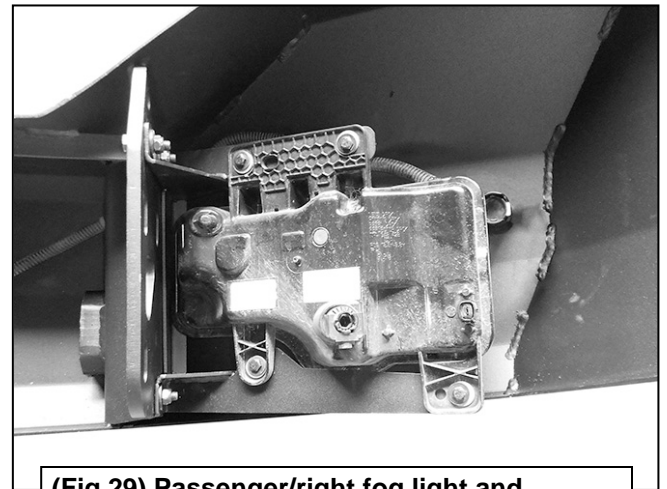


(Fig 27) Attach fog light assembly to back of Fog Light Bracket

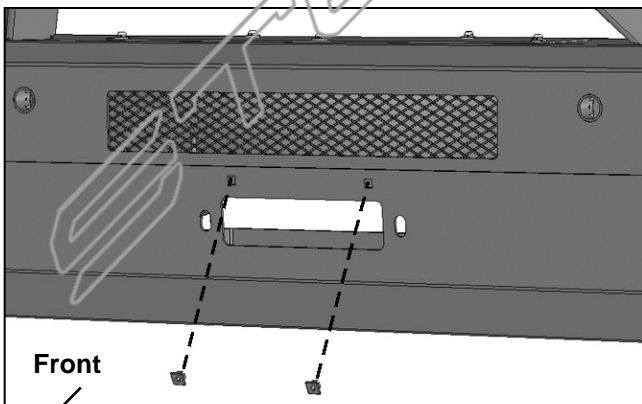


- (3) 8mm x 30mm Hex Bolts
- (6) 8mm Flat Washers
- (3) 5mm Nylon Lock Nuts

(Fig 28) Attach Bracket (with fog light assembly) to mounting plate on back of Bumper



(Fig 29) Passenger/right fog light and Bracket attached to back of Bumper. NOTE: Attach Bumper to Winch Tray and adjust first, then install both fog light assemblies



(Fig 30) Push plastic plugs into upper or lower holes in Bumper for license plate if required

WARNING! Do not crawl under bumper unless the bumper is properly supported on blocks or stands or the bumper may fall.