

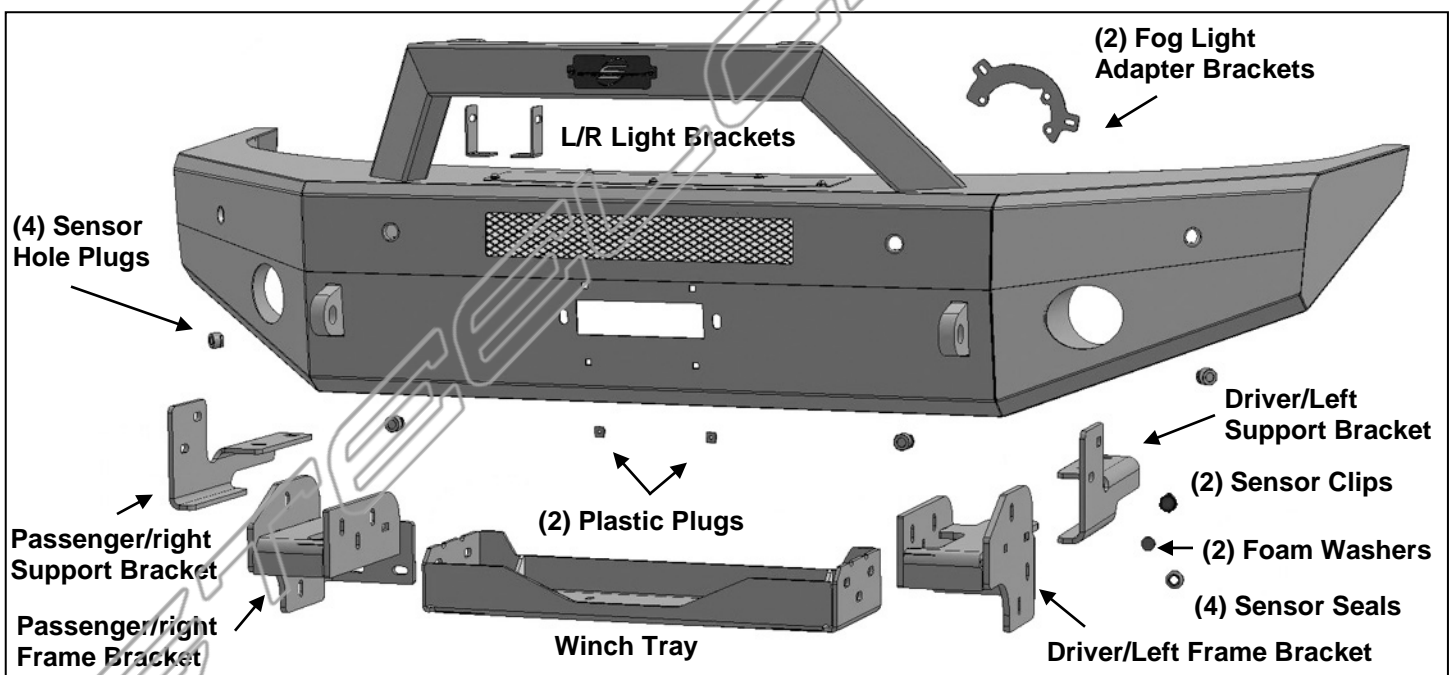
# **INSTALLATION INSTRUCTIONS**

**ELEVATION BULL NOSE FRONT BUMPER  
2016-17 NISSAN TITAN XD ONLY**

**STEEL DEPART**

**PARTS LIST:**

1	Front Bumper Assembly	4	12-1.25mm x 55mm <b>Special Fine Thread</b> Hex Bolts
1	Driver/left Frame Mounting Bracket	12	12-1.75mm x 60mm Hex Bolts
1	Passenger/right Frame Mounting Bracket	28	12mm x 37mm x 3mm Flat Washers
1	Driver/left Support Bracket	4	12mm Lock Washers
1	Passenger/right Support Bracket	12	12mm Nylon Lock Nuts
1	Winch Tray	2	8-1.25mm x 25mm Hex Bolts
1	Winch Access Cover	2	8-1.25mm x 16mm Hex Bolts
2	Plastic Plugs for license plate mount	6	8mm x 24mm x 2mm Flat Washers
1	Driver/left LED light bracket	4	8mm Lock Washers
1	Passenger/right LED light bracket	2	8mm Hex Nuts
2	Fog Light Adapter Brackets (L or R)	5	6mm x 20mm Button Head Combo Bolts (cover)
4	Sensor Sealing Washers	10	6mm x 25mm Hex Bolts
2	Sensor Retaining Rings	20	6mm x 18mm x 1.6mm Flat Washers
2	Sensor 20mm x 2mm Foam Washers	10	6mm Nylon Lock Nuts
4	Sensor Hole Plugs	8	4mm x 10mm Button Head Bolts
1	Sensor Cover Kit	1	2.5mm Wrench
		1	4mm Wrench



**PROCEDURE:**

**REMOVE CONTENTS FROM BOX. VERIFY ALL PARTS ARE PRESENT. READ INSTRUCTIONS CAREFULLY BEFORE STARTING INSTALLATION. BUMPER IS HEAVY, ASSISTANCE IS HIGHLY RECOMMENDED TO AVOID POSSIBLE INJURY OR DAMAGE TO THE VEHICLE.**

1. Remove the license plate. On models with factory fog lights and/or sensors, unplug the wiring harness leading to the bumper. Release the harness from clips attached to the back of the bumper and move harness out of the way.
2. Starting on the driver/left side, remove the plastic panel next to the opening in the bumper, **(Figure 1)**. On models with sensors, remove the panel and unplug the sensor, **(Figure 2)**. On models with tow hooks, remove the plastic fill panel directly above the tow hook, **(Figure 3)**. Repeat this **Step** on passenger/right side of vehicle.
3. Remove the factory skid plate if equipped, **(Figure 4)**. **IMPORTANT:** Skid plate cannot be reinstalled.

4. Next, remove the hardware attaching the inner bumper reinforcements to the outside of the frame and body mount bracket, **(Figure 5)**. Do not remove the large body mount bolt. Repeat on the passenger/right side of the vehicle.
5. Place blocks or jack stands under the front bumper to support it during mounting bolt removal. Once the bumper has been safely supported, remove the (3) hex bolts attaching each side of the bumper to the bracket on the end of the frame, **(Figure 2)**. **WARNING!** Assistance is required to hold the bumper in place during hardware removal to prevent the bumper from falling. Slide the bumper assembly off of the end of the frame and past the tow hooks if equipped.
6. Once the bumper assembly has been removed, remove both bumper brackets and tow hooks, (if equipped), from the end of the frame, **(Figures 6 & 7)**. **NOTE:** Tow hooks cannot be reinstalled.
7. Select the driver/left Support Bracket, **(Figure 8)**. Reuse the (2) factory tow hook hex bolts or the included (2) 12-1.25mm x 55mm **Special Fine Thread** Hex Bolts, (2) 12mm Lock Washers and (2) 12mm Flat Washers to attach the Support Bracket to the bottom of the frame. **(Figures 8 & 10)**. Leave hardware loose at this time.
8. Next, select the driver/left Frame Mounting Bracket. Reuse the (3) factory hex bolts from the bumper bracket to attach the Frame Bracket to the end of the frame, **(Figures 9 & 10)**. Reuse the (1) factory hex bolt to attach the Frame Bracket to the top of the frame, **(Figure 9)**. Snug but do not fully tighten all Bracket hardware at this time
9. Repeat **Steps 7 & 8** to install the passenger/right side Frame and Support Brackets.
10. **Optional Winch Tray and Winch installation (winch sold separately):**
  - a. Select the Winch Tray. With assistance, slide the Winch Tray between the Frame Brackets. Attach the Winch Tray to the Frame Brackets with (6) 12mm x 60mm Hex Bolts, (12) 12mm Flat Washers and (6) 12mm Nylon Lock Nuts, **(Figures 11 & 12)**. Snug but do not fully tighten all hardware.
  - b. If installing winch, follow manufacturer's instructions to attach the winch to the Winch Tray. Winch must be installed before Bumper is placed in position against Brackets. Attach winch cable guide, (not included), to Bumper assembly.
  - c. Follow manufacturer's instructions to properly wire the winch to the electrical system.
11. **Optional Center LED light installation (sold separately)**. **NOTE:** Light must be installed before Bumper Assembly is attached to the Winch Tray. **IMPORTANT:** Clearance between the bar style LED light and the winch and/or winch tray must be determined before installing Bumper assembly.
  - a. Select the L/R "L" Brackets, **(Figure 13)**. **NOTE:** "L" Brackets are offset for universal fitment for most LED bar style lights. Attach the LED light assembly to the "L" Brackets with the included (2) 8mm x 16mm Hex Bolts, (2) 8mm Lock Washers and (2) 8mm Flat Washers. Do not fully tighten hardware at this time. **NOTE:** "L" Brackets may require modification for hardware larger than 8mm or use brackets supplied with light if possible.
  - b. Attach the light and brackets to the top of the (2) tabs on the back of the Bumper with the included 8mm x 25mm Hex Bolts, (4) 8mm Flat Washers, (2) 8mm Lock Washers and (2) 8mm Hex Nuts, **(Figure 13)**. Adjust light position and tighten hardware.
  - c. Follow light manufacturer's instructions to wire the light once Bumper has been fully installed.
12. **Determine if the bumper is equipped with sensors and/or fog lights.**

**Models without bumper sensors:**

- a. Select the included (4) Rubber Plugs.
- b. From behind bumper, push plugs into sensor mounting holes, **(Figure 14)**.

**Models with bumper mounted sensors and/or fog lights:**

- a. Remove the sensors, fog lights and wiring harness from the factory bumper, **(Figure 15)**. Pay close attention to the original location of all sensors. Outer sensors are different from inner sensors.
- b. Select (1) outer sensor. Remove the seal from the end of the sensor, **(Figure 16)**. Slide the included larger Sensor Seal onto the end of the sensor.
- c. Push the sensor and Seal into the driver/left outer mounting socket in the back of the bumper until it is flush (or as close as possible) to the outer face of the Bumper, **(Figure 17)**.
- d. Secure the sensor to the socket with (2) 4mm x 10mm Button Head Screws, **(Figure 17)**. **NOTE:** It may be necessary to cut off the plastic tabs from the sides of the sensor to fit into the mounting socket. **IMPORTANT:** Sensors fit snug in sockets. The 4mm Screws are used to apply slight

pressure to lock the sensors in place. Tighten both screws evenly until they touch the sensor body only. Do not overtighten screws or damage to sensors will result.

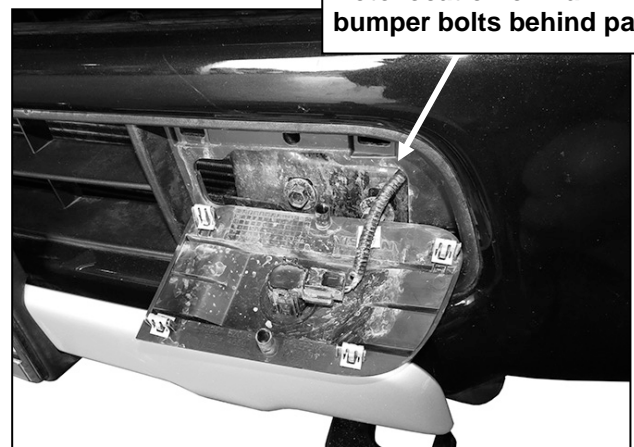
- e. Repeat to install the remaining **outer sensor** only.
  - f. Move to the driver/left inner mounting socket. Select an inner sensor. Remove the seal from the end of the sensor, **(Figure 16)**. Slide the included larger Sensor Seal onto the end of the sensor.
  - g. Push the sensor and Seal into the driver/left outer mounting socket in the back of the bumper until it is flush (or as close as possible) to the outer face of the Bumper, **(Figure 18)**.
  - h. Place Foam Washer over the end of the sensor. Push Sensor Retaining Clip into sensor mount and lock into mounting holes, **(Figure 18)**.
  - i. Repeat previous Steps to install remaining inner sensor.
  - j. Attach factory wiring harness to sensors.
13. With assistance, position the Bumper Assembly up to the Mounting Brackets. Temporarily support the weight of the Bumper. **WARNING:** To avoid possible injury or damage to the vehicle, do not proceed until the Bumper is fully and safely supported.
  14. Attach the driver/left side of the Bumper to the Mounting Bracket and Support Bracket with the included (3) 12-1.75mm x 60mm Coarse Thread STD Hex Bolts, (6) 12mm Flat Washers and (3) 12mm Nylon Lock Nuts, **(Figures 19 & 20)**. Snug but do not fully tighten hardware at this time. Repeat this **Step** to attach the passenger/right side of the Bumper to the Brackets.
  15. Level and adjust the bumper and fully tighten all hardware.
  16. On models equipped with factory fog lights, select (1) Fog Light Adapter Bracket. Attach the Bracket to the driver/left fog light with the included (3) 6mm x 25mm Hex Bolts, (6) 6mm Flat Washers and (3) 6mm Nylon Lock Nuts, **(Figure 21)**. Do not overtighten the hardware. Next, attach the light with Bracket to the mounting tabs on the back of the bumper with the included (2) 6mm x 25mm Hex Bolts, (4) 6mm Flat Washers and (2) 6mm Nylon Lock Nuts, **(Figure 21)**. Repeat this **Step** to attach the passenger/right fog light.
  17. Attach the wiring harness to the fog lights. Plug bumper harness into vehicle wiring harness.
  18. If front license plate is required, insert (2) Plastic Plugs into the square holes in the Bumper. Reuse the factory screws to attach the license plate to the plastic plugs, **(Figure 22)**.
  19. Select Winch Access Cover. Attach Cover to top of bumper with included (5) 6mm Button Head Combo Bolts. **NOTE:** Installation is optional.
  20. Do periodic inspections to the installation to make sure that all hardware is secure and tight.

**To protect your investment**, wax this product after installing. Regular waxing is recommended to add a protective layer over the finish. Do not use any type of polish or wax that may contain abrasives that could damage the finish. Mild soap may be used to clean the Bumper assembly.

### Driver Side Installation Pictured



**(Fig 1) Remove fill panel to access bumper bolts**



**(Fig 2) Models with sensors, unplug sensors**

### Driver Side Installation Pictured

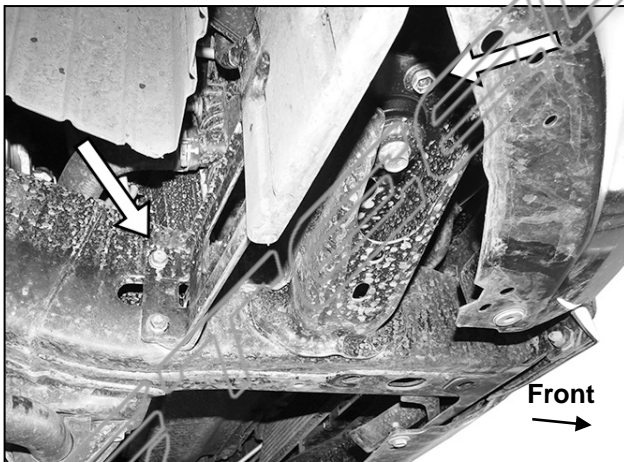


(Fig 3) Remove plastic panel above tow hook

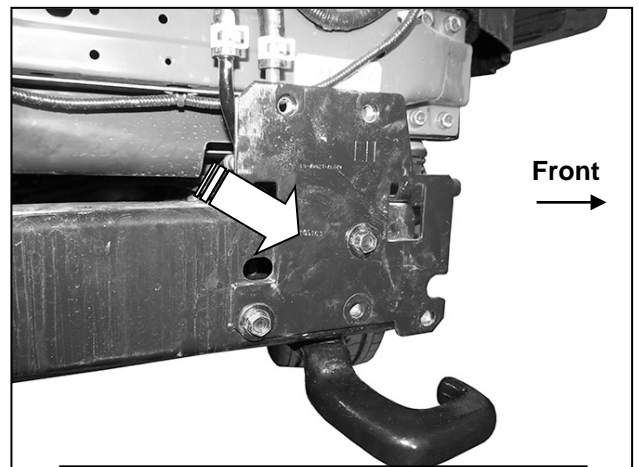
**WARNING!** Do not remove bumper bolts unless the bumper is properly supported on blocks or stands or the bumper may fall.



(Fig 4) Remove skid plate if equipped

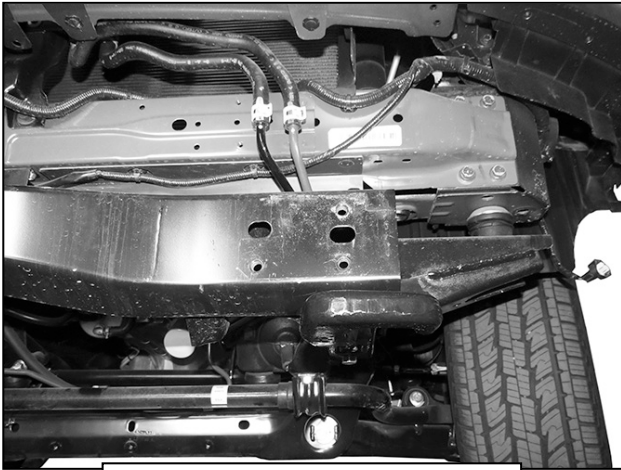


(Fig 5) Remove hardware attaching bumper supports to side of frame and body mount bracket, (see arrows). Passenger/right side pictured



(Fig 6) Remove bumper bracket (arrow) and tow hook (if equipped)

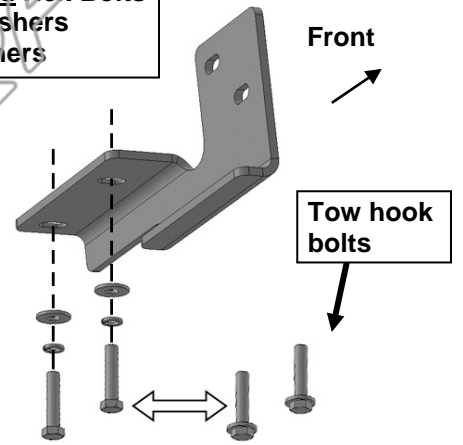
### Driver Side Installation Pictured



(Fig 7) Driver/left side of frame

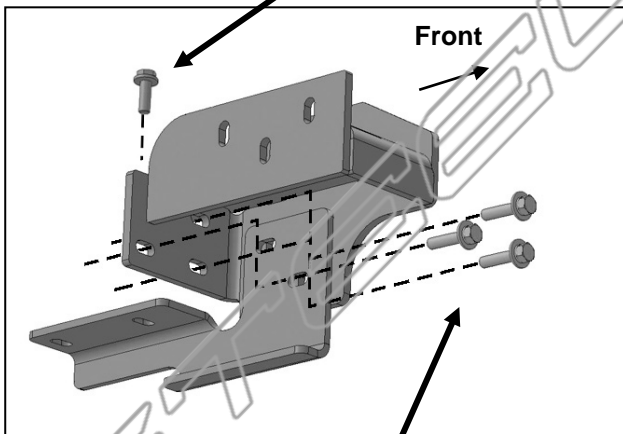
**WARNING!** Do not remove bumper bolts unless the bumper is properly supported on blocks or stands or the bumper may fall.

Reuse tow hook bolts or...  
Models without tow hooks  
use the included:  
(2) 12-1.25mm x 55mm  
Special Fine Thread Hex Bolts  
(2) 12mm Lock Washers  
(2) 12mm Flat Washers

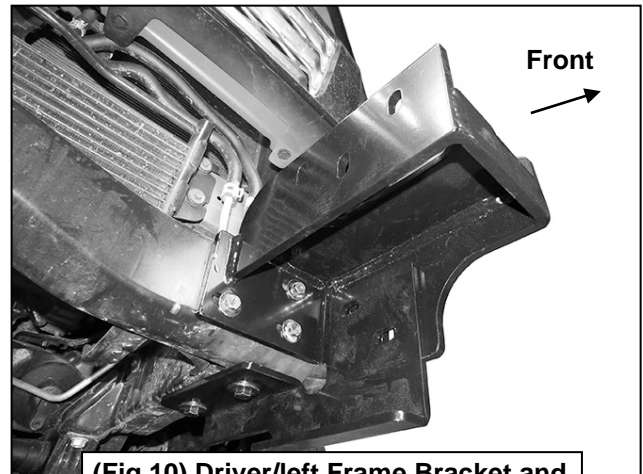


(Fig 8) Attach driver/left Support Bracket to threaded holes (tow hook) in bottom of frame

Reuse factory bumper bracket hardware to attach driver/left Frame Bracket to threaded holes in end of frame for bumper bracket

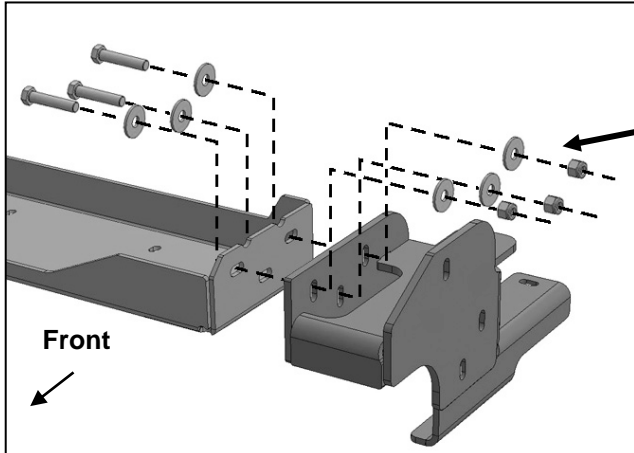


(Fig 9) Reuse factory bumper bracket hardware to attach driver/left Frame Bracket to threaded holes in end of frame for bumper bracket



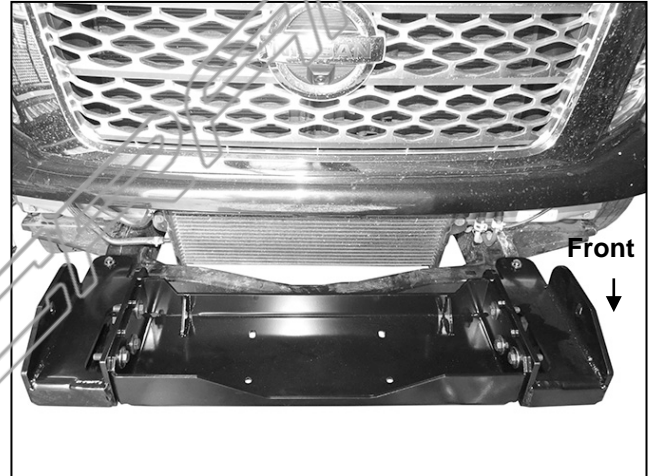
(Fig 10) Driver/left Frame Bracket and Support Bracket pictured from below

### Driver Side Installation Pictured



- (3) 12mm x 60mm Hex Bolts
- (6) 12mm Flat Washers
- (3) 12mm Nylon Lock Nuts

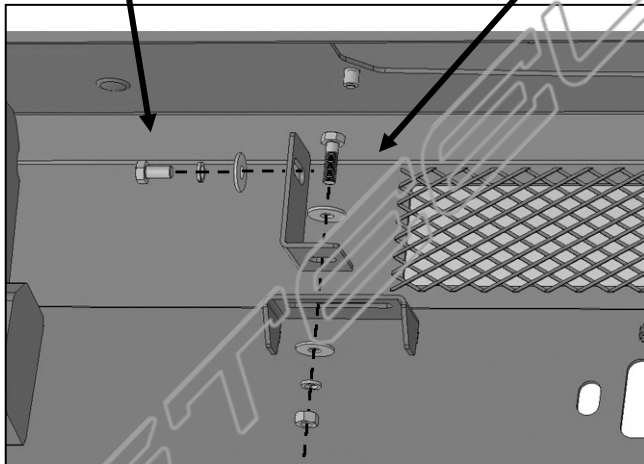
(Fig 11) Attach Winch Tray to Mounting Brackets



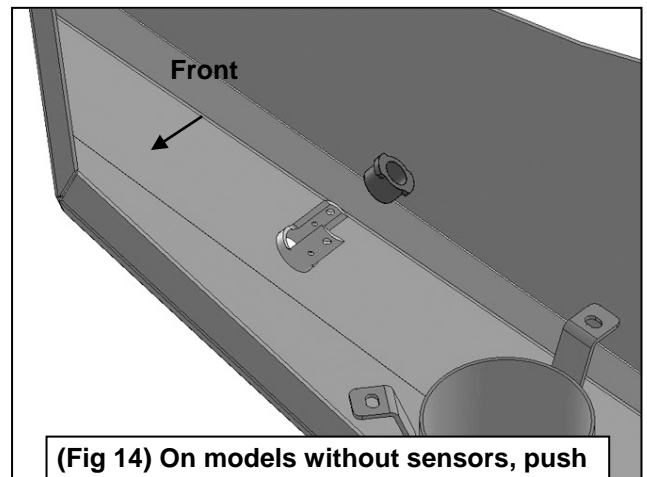
(Fig 12) Winch Tray and Brackets installed

- 8mm x 16mm Hex Bolt
- 8mm Lock Washer
- 8mm Flat Washer

- 8mm x 25mm Hex Bolt
- (2) 8mm Flat Washers
- 8mm Lock Washer
- 8mm Hex Nut

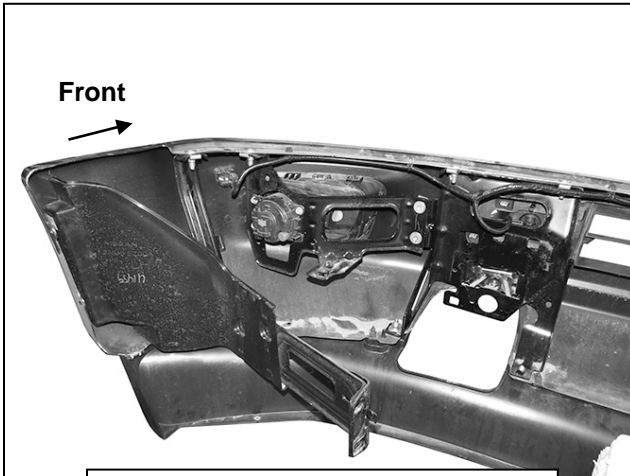


(Fig 13) Universal LED Brackets (light not included)

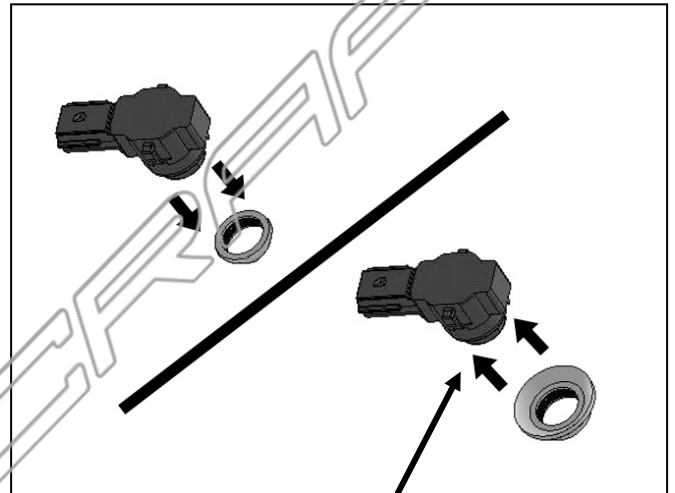


(Fig 14) On models without sensors, push sensor plug into mounting sleeve.

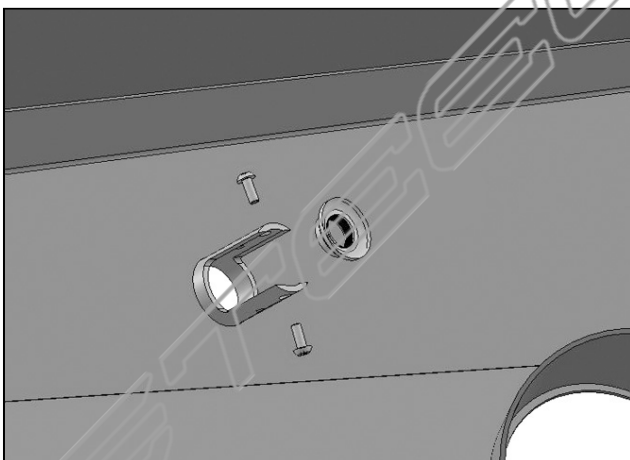
### Driver Side Installation Pictured



(Fig 15) Remove sensors, fog light and wiring harness from bumper

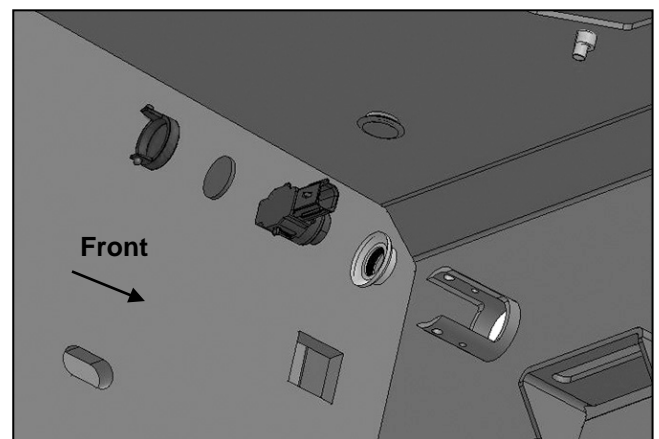


(Fig 16) Remove silicone seal from sensor. Slide large Seal over end of sensor (arrow) sensor depicted for example only, actual sensor may differ



(Fig 17) Slide outer sensor with Seal into sleeve

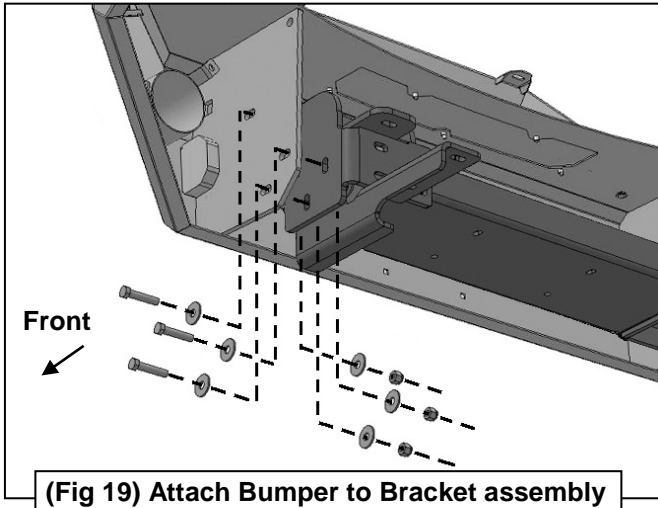
**IMPORTANT:** Sensors fit snug in sockets. The 4mm Screws are only used to apply slight pressure to lock the **outer sensors** in place. Tighten both screws evenly until they touch the sensor body only. Do not overtighten screws or damage to sensors will result.



(Fig 18) Slide inner sensor with Seal into sleeve. Lock sensor in place with Foam Washer and Clip

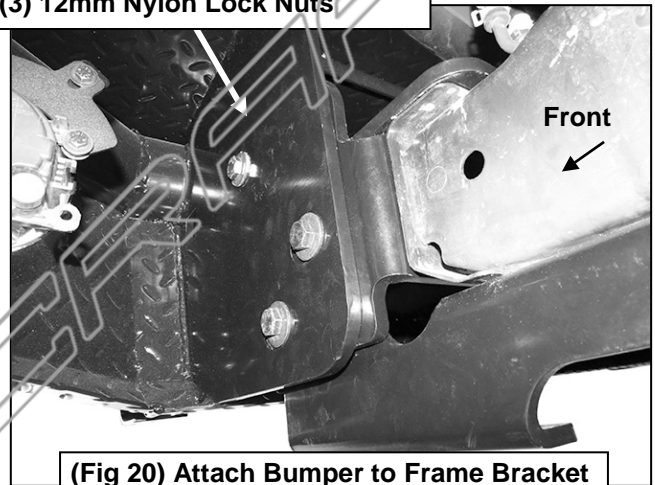


### Driver Side Installation Pictured



**WARNING!** Do not crawl under bumper unless the bumper is properly supported on blocks or stands or the bumper may fall.

- (3) 12-1.75mm x 60mm Hex Bolts
- (6) 12mm Flat Washers
- (3) 12mm Nylon Lock Nuts



Attach the Adapter Bracket to the fog light first (#1) if equipped  
(3) 6mm Hex Bolts  
(6) 6mm Flat Washers  
(3) 6mm Nylon Lock Nuts

