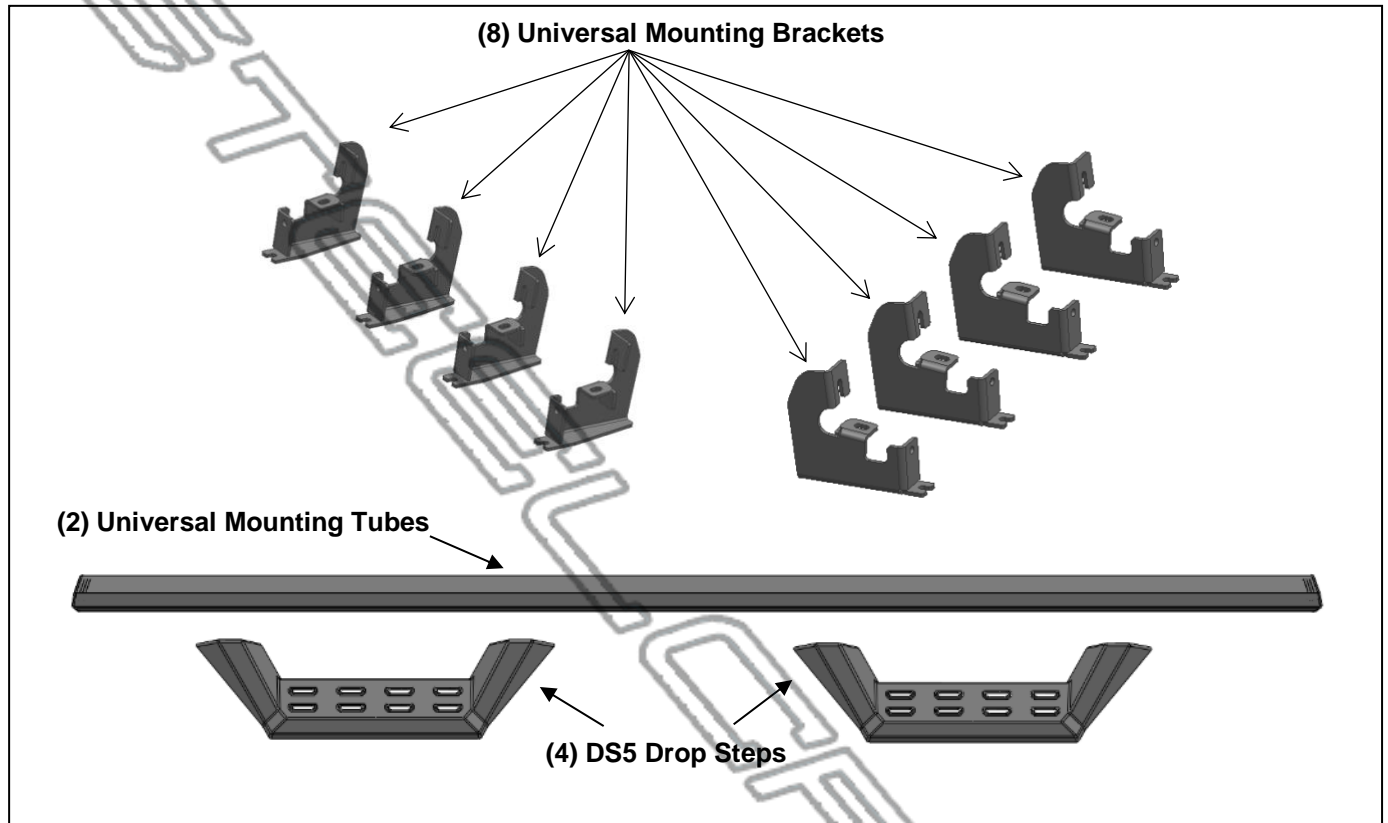


PARTS LIST:

2	Universal Mounting Tubes (78")	16	8mm Clip Nuts
2	Plastic End Caps (Left)	32	8mm Lock Washers
2	Plastic End Caps (Right)	16	8mm Hex Nuts
4	DS5 Drop Steps	16	8mm Nylon Lock Nuts
8	Universal Mounting Brackets	16	8mm x 30mm Hex Bolts
8	Plate Washers	32	8mm x 24mm x 2mm Flat Washers
32	8mm x 25mm T-Bolts		



PROCEDURE:

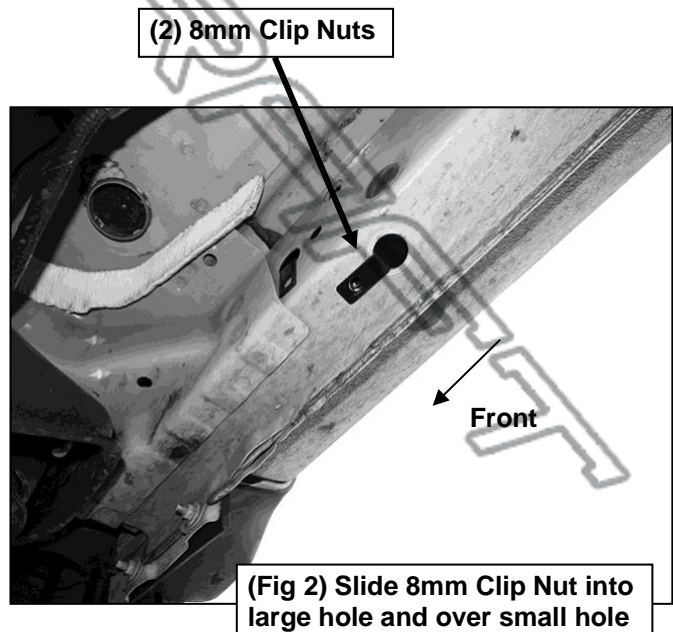
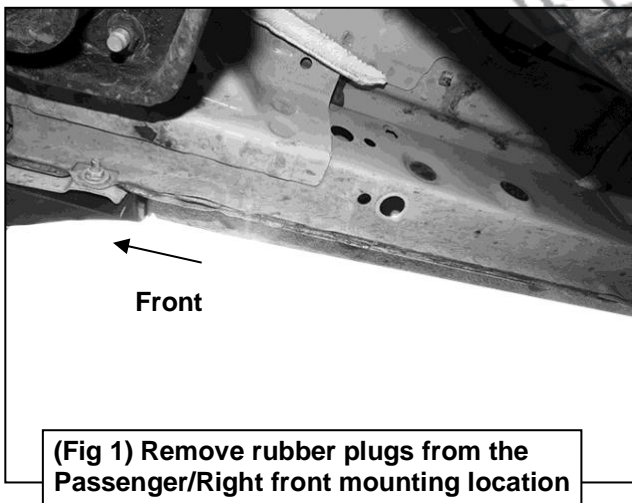
REMOVE CONTENTS FROM BOX. VERIFY ALL PARTS ARE PRESENT. READ INSTRUCTIONS CAREFULLY. ASSISTANCE IS RECOMMENDED.

1. Start the installation under the Passenger/Right side of the vehicle. Locate the front mounting location along the bottom and inner side of the body panel, **(Figure 1)**. Installation will use 4 mounting locations. **NOTE:** It may help to hold a Bracket up in place to help determine the mounting holes to use along the bottom and inner side of the body.
2. Remove rubber plugs from the front location. Select (2) 8mm Clip Nuts. Slide each Clip Nut into the large hole and over the smaller hole next to it. Line up threaded nut on the Clip Nut with smaller hole in body panel, **(Figure 2)**.
3. Select (1) Universal Mounting Bracket. Attach the Mounting Bracket to the (2) Clip Nuts in the vehicle with (2) 8mm Hex Bolts, (2) 8mm Lock Washers and (2) 8mm Flat Washers, **(Figure 3-4)**. Do not tighten hardware.
4. Repeat **Steps 1—3** to attach the remaining (3) Passenger/Right Mounting Brackets to the 2nd, 3rd and 4th locations. Do not tighten hardware.
5. Select the Universal Mounting Tube. Select (8) 8mm T-bolts. Insert the T-bolts into the rear and bottom channels of the Universal Mounting Tube, **(Figure 5)**. Guide the T-bolts to the general position of the Mounting Brackets.
6. Take (8) 8mm T-bolts. Insert the T-bolts into the front channels of the Universal Mounting Tube **(Figure 6)**. Each front channel should have (4) T-bolts, which corresponds to the holes on the DS5 Drop Steps.

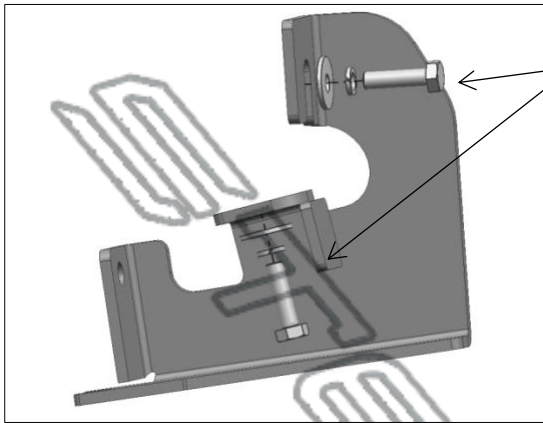
7. Attach the DS5 Drop Steps to the Universal Mounting Tube. Each DS5 Drop Step uses (2) 8mm Plate Washers and (4) 8mm Nylon Lock Nuts, **(Figure 7—8)**. Do not tighten hardware. While the hardware is not tightened, the Drop Steps will slide along the length of the channels.
8. Take (2) Plastic End Caps. Insert the correctly oriented Plastic End Caps onto the ends of the Universal Mounting Tube, **(Figure 9)**. It is recommended to secure one end and to use a rubber mallet to carefully tap the Plastic End Caps into place on the other end. Inspect the installed Plastic End Caps to see if they are facing the correct direction.
9. Attach the Universal Mounting Tube to the Mounting Brackets. Each Mounting Bracket uses (2) 8mm Flat Washers, (2) 8mm Lock Washers and (2) 8mm Hex Nuts, **(Figure 10—11)**. Do not tighten hardware.
10. Level and adjust the Universal Mounting Tube and tighten all hardware.
11. Adjust the DS5 Drop Steps by sliding them to the desired positions. Tighten all hardware to secure the Drop Steps in place.
12. Repeat **Steps 1—11** to attach the other Running Board.
13. Do periodic inspections to the installation to make sure that all hardware is secure and tight.

To protect your investment, Do not use any type of polish or wax that may contain abrasives that could damage the finish. Use only mild soap to clean the Running Boards.

Passenger/Right side Installation Pictured



Passenger/Right side Installation Pictured

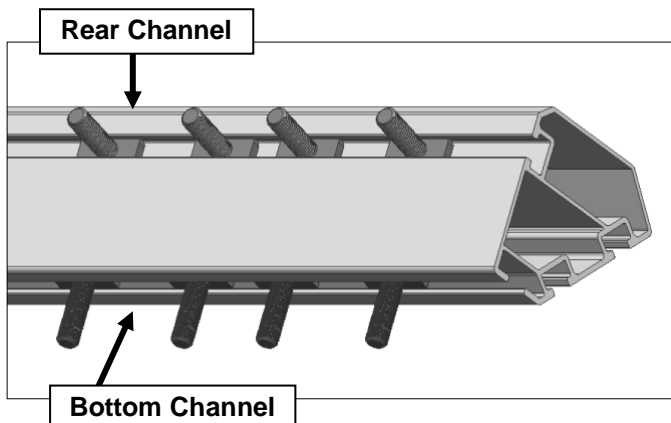


- (2) 8mm Flat Washers
- (2) 8mm Lock Washers
- (2) 8mm Hex Bolts

(Fig 3) Attach (1) Universal Mounting Bracket to the Clip Nuts

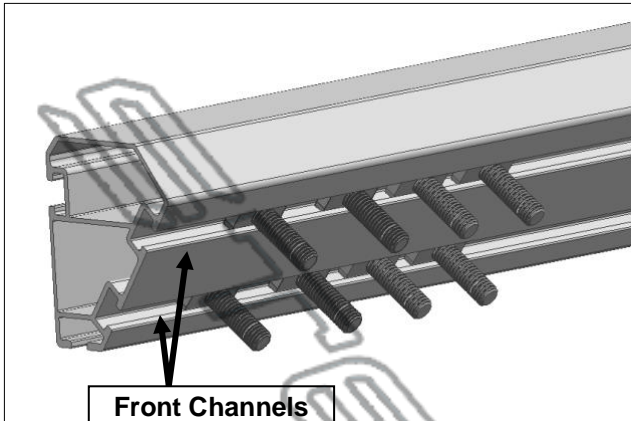


(Fig 4) Mounting bracket attached to the front mounting location



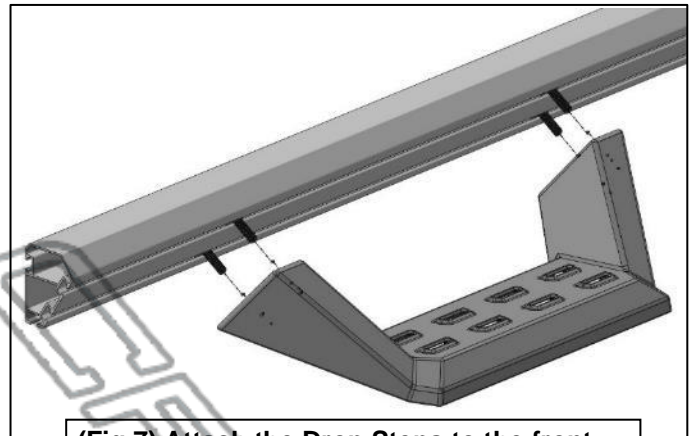
(Fig 5) Insert T-bolts into the rear and bottom channels on the universal mounting tube.

Passenger/Right side Installation Pictured

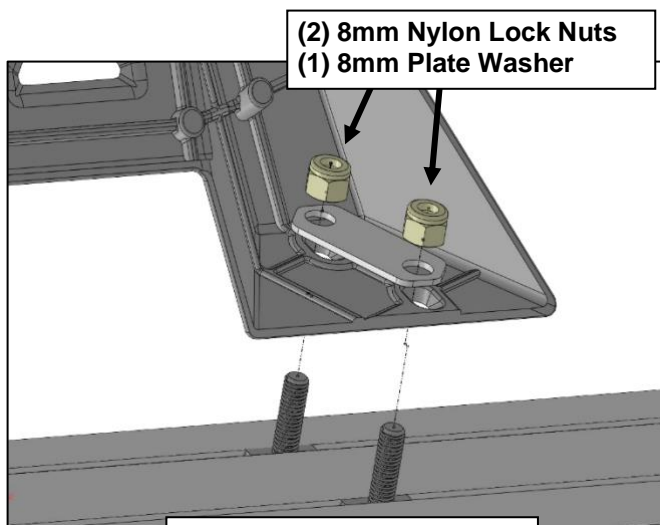


Front Channels

(Fig 6) Insert T-bolts into the Front channels on the universal mounting tube.



(Fig 7) Attach the Drop Steps to the front channels of the Universal Mounting Tube.



(Fig 8) Attach the Drop Steps to the 8mm T-bolts.

Passenger/Right side Installation Pictured

