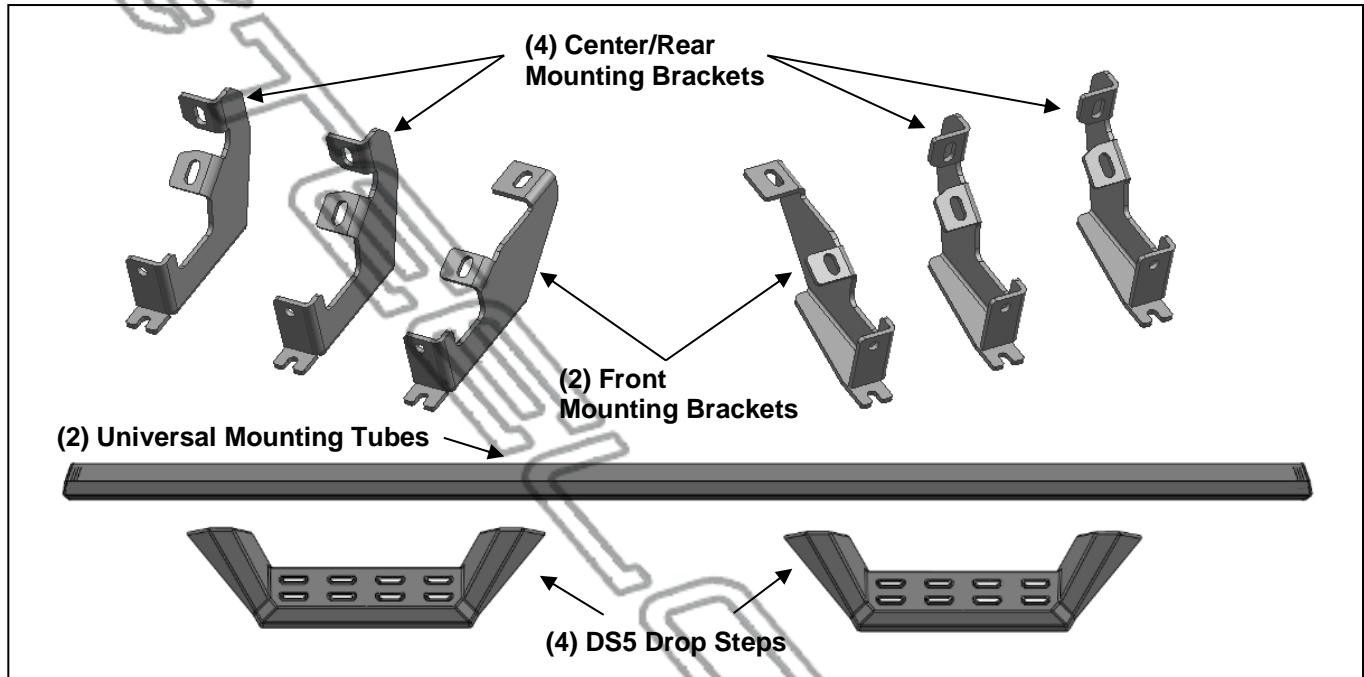


PARTS LIST:

2	Universal Mounting Tubes (69"	16	8-1.25mm Nylon Lock Nuts
4	DS5 Drop Steps	12	8mm x 24mm x 2mm Flat Washers
2	Front Mounting Brackets	12	8mm Lock Washers
4	Center/Rear Mounting Brackets	12	10mm x 27mm x 3mm Flat Washers
8	Spacers	12	10mm Lock Washers
28	8-1.25 x 25mm T-Bolts	12	10-1.5mm x 25mm Hex Bolts
12	8-1.25mm Hex Nuts		



PROCEDURE:

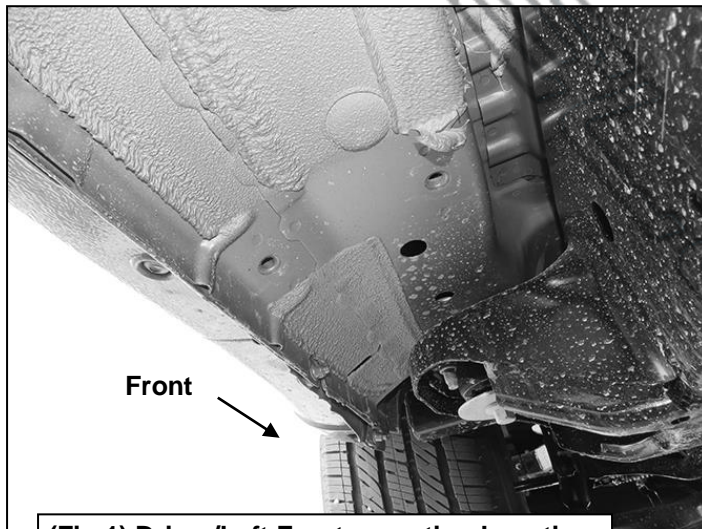
REMOVE CONTENTS FROM BOX. VERIFY ALL PARTS ARE PRESENT. READ INSTRUCTIONS CAREFULLY. ASSISTANCE IS RECOMMENDED.

- Starting from underneath the Driver/Left body panel, locate the front mounting location and the threaded holes in the body panel, **(Figure 1)**. Remove the plastic plugs covering the holes.
- Select the Driver/Left Front Mounting Bracket. Attach the Mounting Bracket to the front location with (2) 10mm Hex Bolts, (2) 10mm Lock Washers and (2) 10mm Flat Washers, **(Figure 2)**. Do not tighten hardware.
- Locate the Center threaded mounting holes. Select (1) Center/Rear Mounting Bracket. Attach with (2) 10mm Hex Bolts, (2) 10mm Lock Washers and (2) 10mm Flat Washers, **(Figures 3—4)**. Do not tighten hardware at this time.
- Repeat **Step 3** to attach (1) Center/Rear Mounting Brackets to the rear locations, **(Figures 4—5)**. Do not tighten hardware.
- Select the Universal Mounting Tube. Select (6) 8mm T-bolts. Insert the T-bolts into the rear and bottom channels of the Universal Mounting Tube, **(Figure 6)**. Guide the T-bolts to the general position of the Mounting Brackets.
- Take (8) 8mm T-bolts. Insert the T-bolts into the front channels of the Universal Mounting Tube **(Figure 7)**. Each front channel should have (4) T-bolts, which corresponds to the holes on the DS5 Drop Steps.
- Attach the DS5 Drop Steps to the Universal Mounting Tube. Each DS5 Drop Step uses (2) 8mm Spacers and (4) 8mm Nylon Lock Nuts, **(Figure 8—9)**. Do not tighten hardware. While the hardware is not tightened, the Drop Steps will slide along the length of the channels.

8. Take (2) Plastic End Caps. Insert the correctly oriented Plastic End Caps onto the ends of the Universal Mounting Tube, **(Figure 10)**. It is recommended to secure one end and to use a rubber mallet to carefully tap the Plastic End Caps into place on the other end. Inspect the installed Plastic End Caps to see if they are facing the correct direction.
9. Attach the Universal Mounting Tube to the Mounting Brackets. Each Mounting Bracket uses (2) 8mm Flat Washers, (2) 8mm Lock Washers and (2) 8mm Hex Nuts, **(Figure 11—15)**. Do not tighten hardware.
10. Level and adjust the Universal Mounting Tube and tighten all hardware.
11. Adjust the DS5 Drop Steps by sliding them to the desired positions. Tighten all hardware to secure the Drop Steps in place.
12. Repeat **Steps 1—11** to attach the other Running Board.
13. Do periodic inspections to the installation to make sure that all hardware is secure and tight.

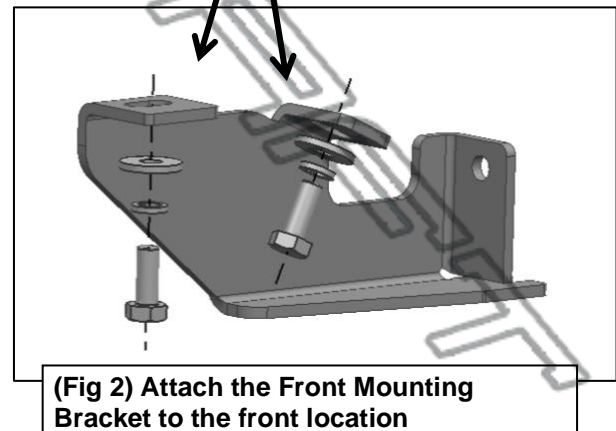
To protect your investment, Do not use any type of polish or wax that may contain abrasives that could damage the finish. Use only mild soap to clean the Running Boards.

Driver/Left side Installation Pictured



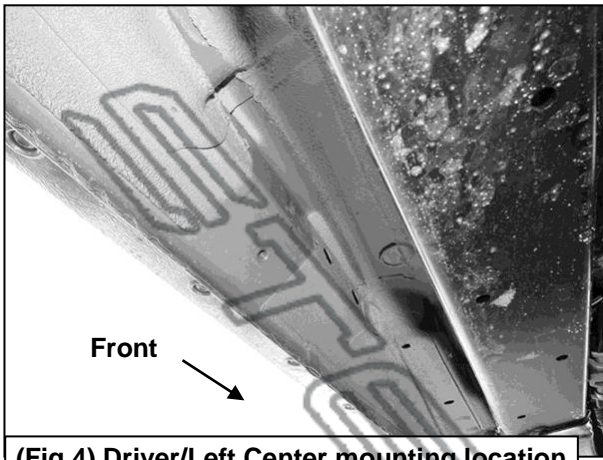
(Fig 1) Driver/Left Front mounting Location

(2) 10mm Hex Bolts
(2) 10mm Lock Washers
(2) 10mm Flat Washers

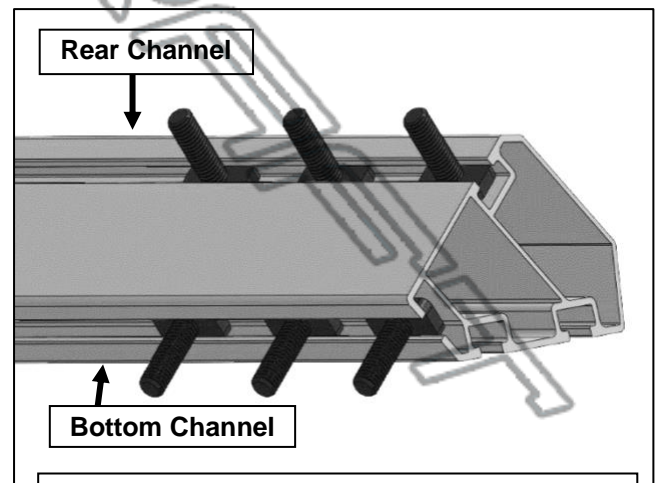
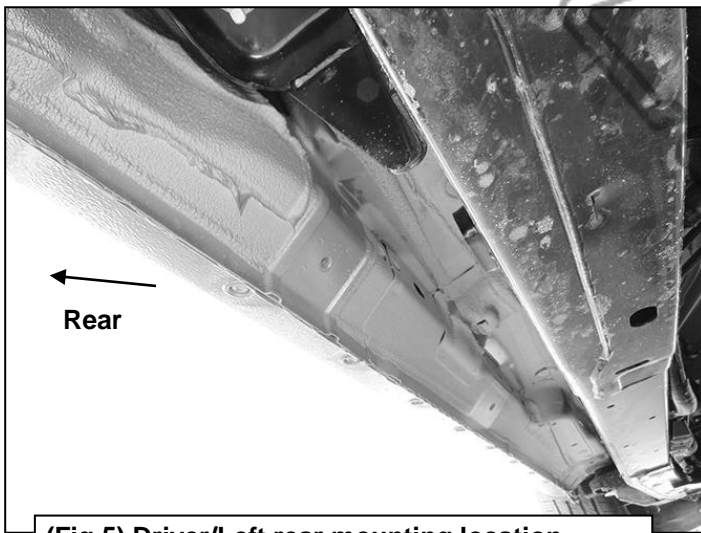
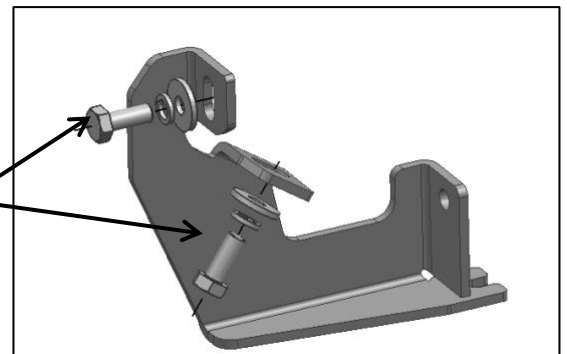


(Fig 2) Attach the Front Mounting Bracket to the front location

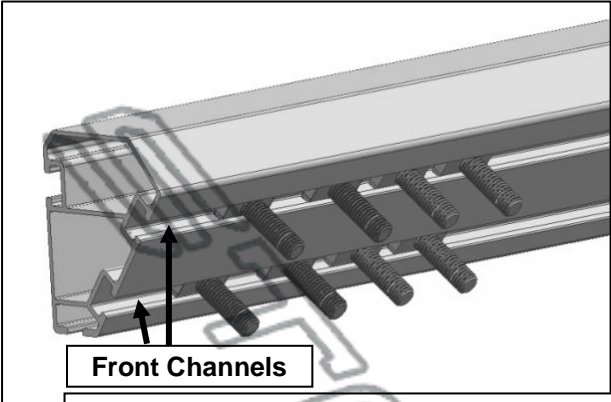
Driver/Left side Installation Pictured



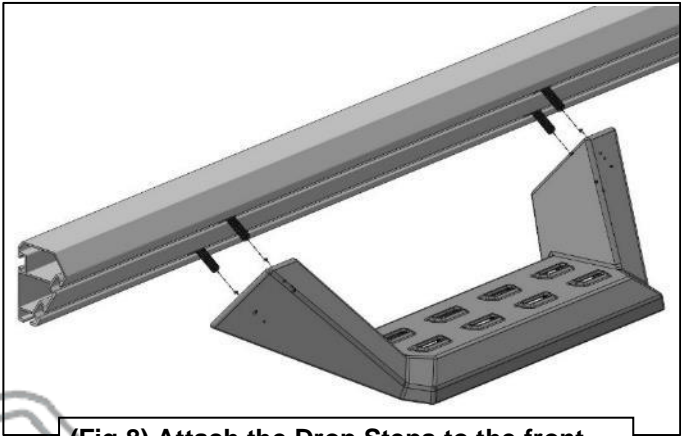
- (2) 10mm Hex Bolts
- (2) 10mm Lock Washers
- (2) 10mm Flat Washers



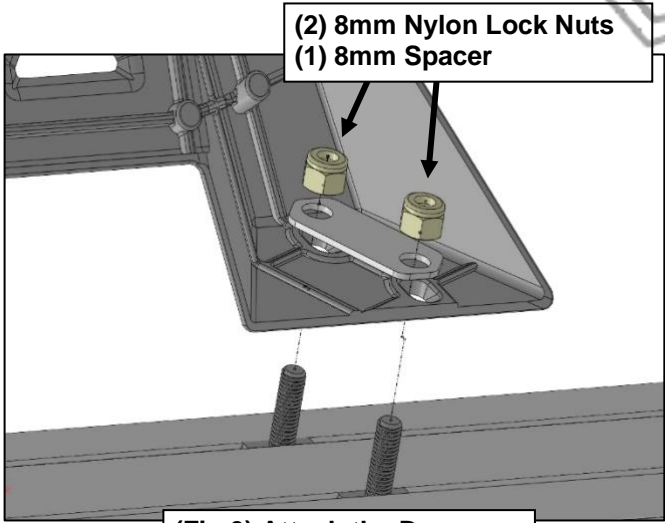
Driver/Left side Installation Pictured



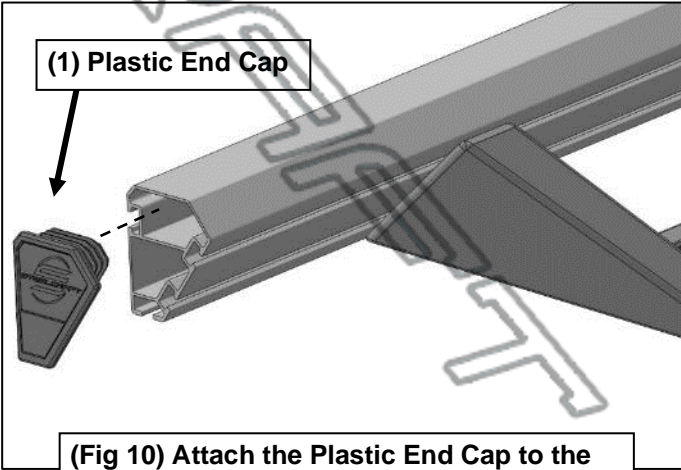
(Fig 7) Insert T-bolts into the Front channels on the universal mounting tube.



(Fig 8) Attach the Drop Steps to the front channels of the Universal Mounting Tube.

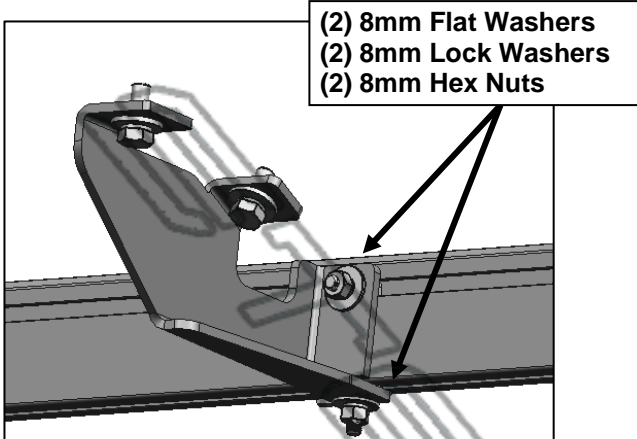


(Fig 9) Attach the Drop Steps to the 8mm T-bolts.

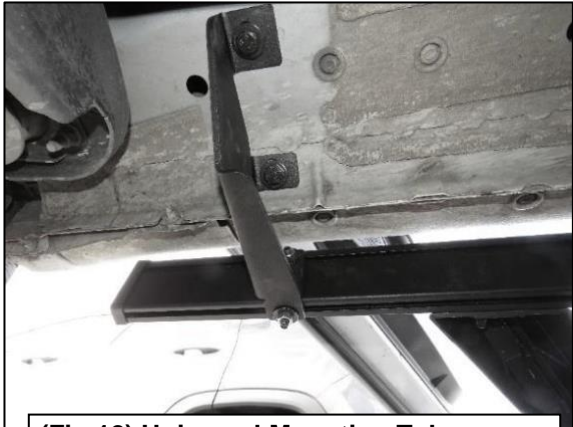


(Fig 10) Attach the Plastic End Cap to the end of the Universal Mounting Tube.

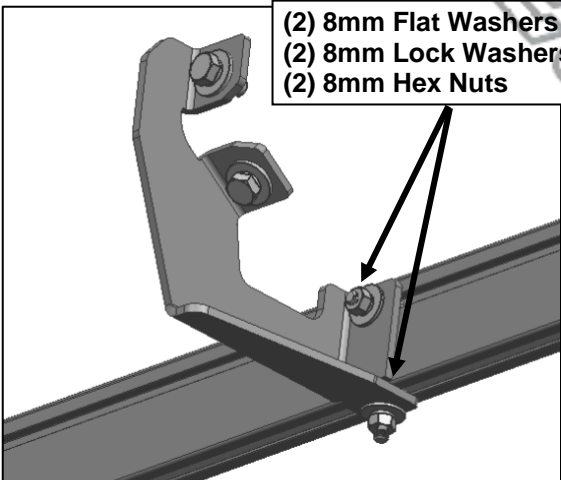
Driver/Left side Installation Pictured



(Fig 11) Attach the Universal Mounting Tube to the Front Mounting Brackets.



(Fig 12) Universal Mounting Tube attached to the Front Mounting Bracket.



(Fig 13) Attach the Universal Mounting Tube to the Center/Rear Mounting Brackets.



(Fig 14) Universal Mounting Tube attached to the Center Mounting Bracket.



(Fig 15) Universal Mounting Tube attached to the Rear Mounting Bracket.