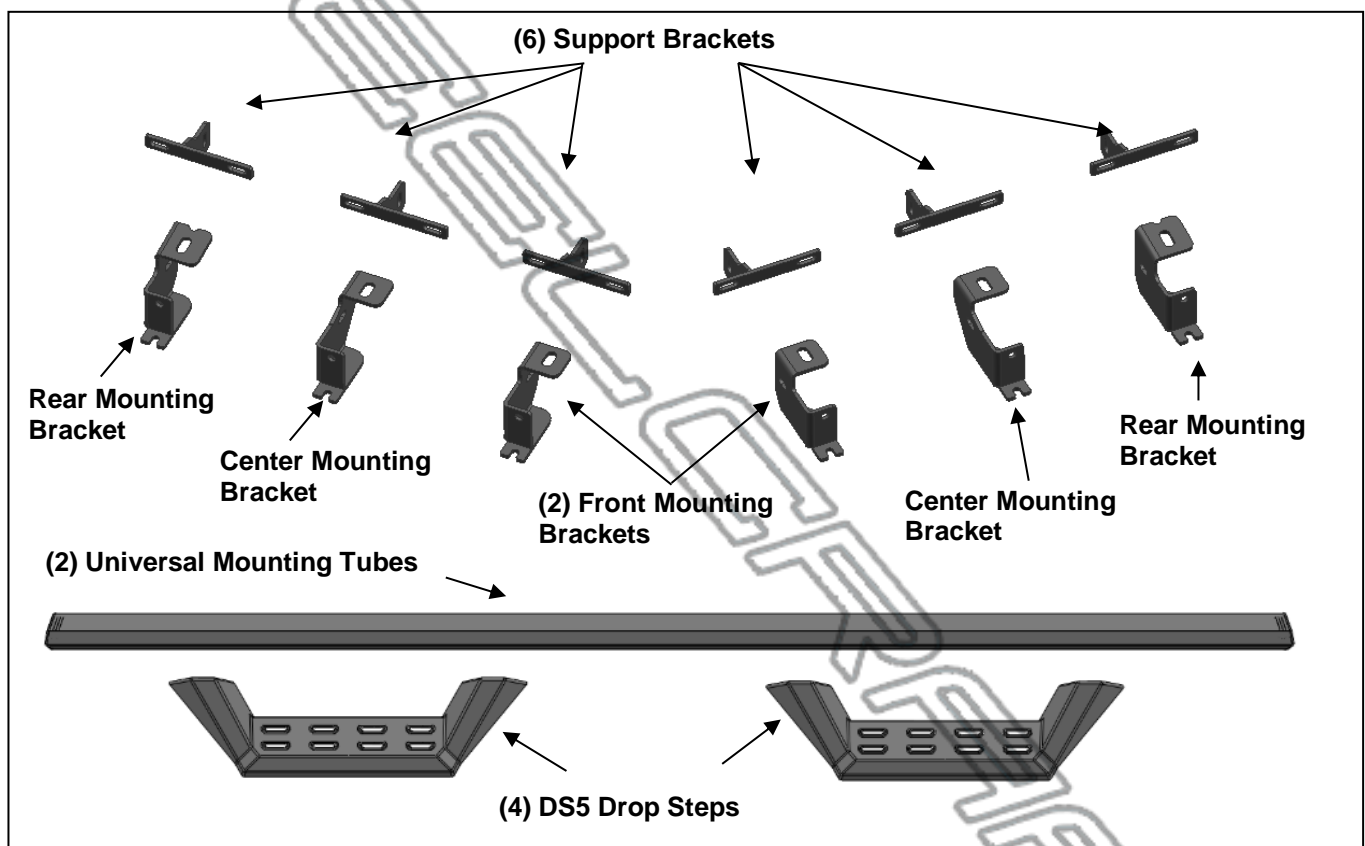


PARTS LIST:

2	Universal Mounting Tubes (69"	6	10mm Lock Washers
4	DS5 Drop Steps	6	10mm x 34mm x 3mm Flat Washers
2	Left Plastic End Caps	12	10mm x 20mm x 2mm Flat Washers
2	Right Plastic End Caps	6	10-1.5mm Nylon Lock Nuts
2	Front Mounting Brackets	16	8-1.25mm Nylon Lock Nuts
2	Center Mounting Brackets	6	8-1.25mm x 35mm Hex Bolts
2	Rear Mounting Brackets	12	8-1.25mm Hex Nuts
6	Support Bracket	6	8mm x 28mm x 3mm Flat Washers
8	Spacers	12	8mm x 24mm x 2mm Flat Washers
28	8-1.25mm x 25mm T-Bolts	18	8mm Lock Washers
6	Nut Plates	12	6-1.00mm Nylon Lock Nuts
6	10-1.5mm x 35mm Hex Bolts	12	6-1.00mm x 25mm Hex Bolts
6	10-1.5mm x 30mm Hex Bolts	24	6mm x 22mm x 2mm Flat Washers

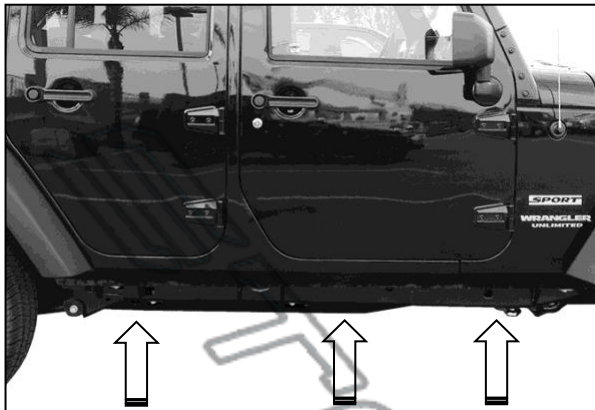


PROCEDURE:

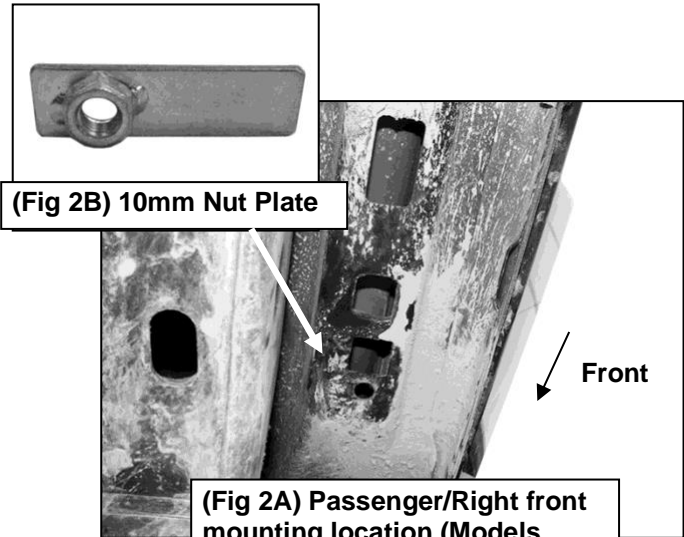
REMOVE CONTENTS FROM BOX. VERIFY ALL PARTS ARE PRESENT. READ INSTRUCTIONS CAREFULLY. ASSISTANCE IS RECOMMENDED.

1. Start installation toward the front of the Passenger/Right side of the vehicle, **(Figure 1)**.
2. **Determine if vehicle is equipped with threaded mounting inserts**
Vehicles without threaded inserts:
 - a. Insert (1) 10mm Nut Plate into the large square opening in the floor panel. Line up the threaded nut with the hole in between the pair of holes on the pinch weld, **(Figures 2A & 2B)**.
 - b. Select the Front Mounting Bracket.
 - c. Attach the Bracket to the Nut Plate with (1) 10mm x 35mm Hex Bolt, (1) 10mm Lock Washer and (1) 10mm Flat x 34mm Washer, **(Figure 3)**. Do not tighten hardware.**Vehicles with factory threaded hole in floor panel:**
 - a. Locate the front, center and rear mounting locations, **(Figure 1)**.
 - b. Select the Front Mounting Bracket.
 - c. Attach the Bracket to the front mounting location with (1) 8mm Hex Bolt, (1) 8mm Lock Washer and (1) 8mm Flat Washer, **(Figure 4)**. Do not tighten hardware.
3. Select (1) Support Bracket. Attach the Support Bracket to the pinch weld with (2) 6mm Hex Bolts, (4) 6mm Flat Washers and (2) 6mm Nylon Lock Nuts, **(Figure 5)**. Attach the Support Bracket to the Mounting Bracket with (1) 10mm x 30mm Hex Bolt, (2) 10mm x 34mm Flat Washers and (1) 10mm Nylon Lock Nut, **(Figure 6)**. Do not tighten hardware.
4. Repeat **Steps 2 & 3** to attach the Mounting Brackets and Support Brackets to the center and rear locations, **(Figures 7A, 7B & 8)**. Do not tighten hardware.
5. Select the Universal Mounting Tube. Select (6) 8mm T-bolts. Insert the T-bolts into the rear and bottom channels of the Universal Mounting Tube, **(Figure 9)**. Guide the T-bolts to the general position of the Mounting Brackets.
6. Take (8) 8mm T-bolts. Insert the T-bolts into the front channels of the Universal Mounting Tube **(Figure 10)**. Each front channel should have (4) T-bolts, which corresponds to the holes on the DS5 Drop Steps.
7. Attach the DS5 Drop Steps to the Universal Mounting Tube. Each DS5 Drop Step uses (2) 8mm Plate Washers and (4) 8mm Nylon Lock Nuts, **(Figure 11—12)**. Do not tighten hardware. While the hardware is not tightened, the Drop Steps will slide along the length of the channels.
8. Take (2) Plastic End Caps. Insert the correctly oriented Plastic End Caps onto the ends of the Universal Mounting Tube, **(Figure 13)**. It is recommended to secure one end and to use a rubber mallet to carefully tap the Plastic End Caps into place on the other end. Inspect the installed Plastic End Caps to see if they are facing the correct direction.
9. Attach the Universal Mounting Tube to the Mounting Brackets. Each Mounting Bracket uses (2) 8mm Flat Washers, (2) 8mm Lock Washers and (2) 8mm Hex Nuts, **(Figure 14)**. Do not tighten hardware.
10. Level and adjust the Universal Mounting Tube and tighten all hardware.
11. Adjust the DS5 Drop Steps by sliding them to the desired positions. Tighten all hardware to secure the Drop Steps in place.
12. Repeat **Steps 1—11** to attach the other Running Board.
13. Do periodic inspections to the installation to make sure that all hardware is secure and tight.

To protect your investment, Do not use any type of polish or wax that may contain abrasives that could damage the finish. Use only mild soap to clean the Running Boards.

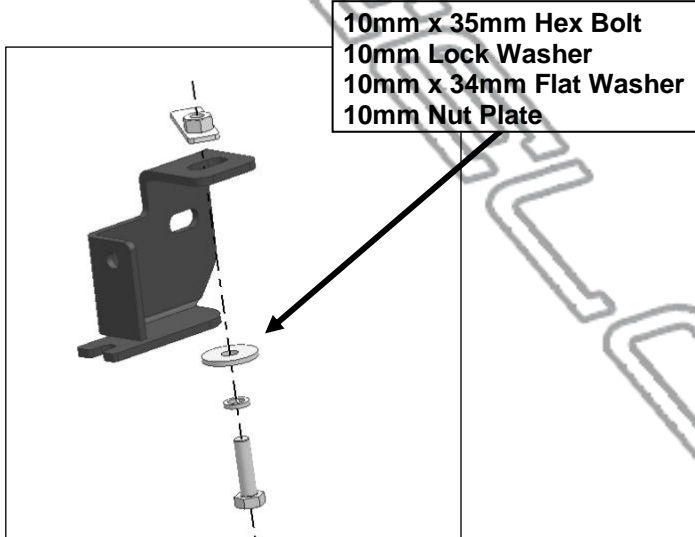


(Fig 1) Passenger/Right mounting locations



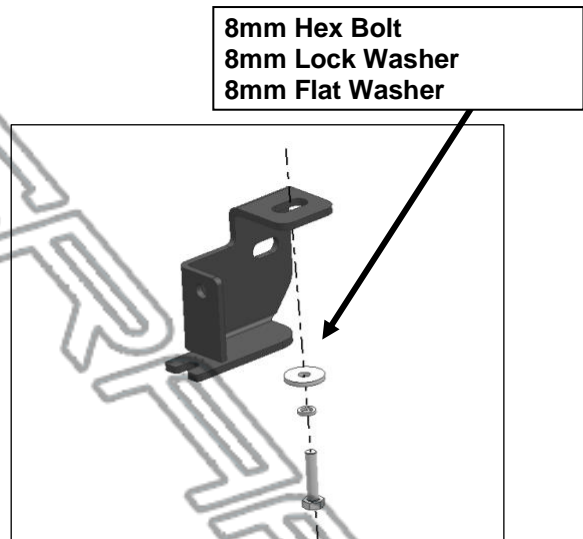
(Fig 2B) 10mm Nut Plate

(Fig 2A) Passenger/Right front mounting location (Models without threaded insert shown)



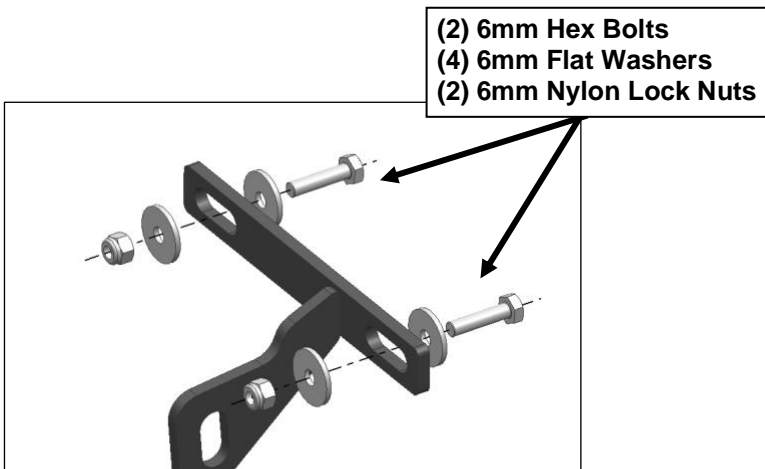
- 10mm x 35mm Hex Bolt
- 10mm Lock Washer
- 10mm x 34mm Flat Washer
- 10mm Nut Plate

(Fig 3) Attach the Front Mounting Bracket to the Nut Plate in the front location



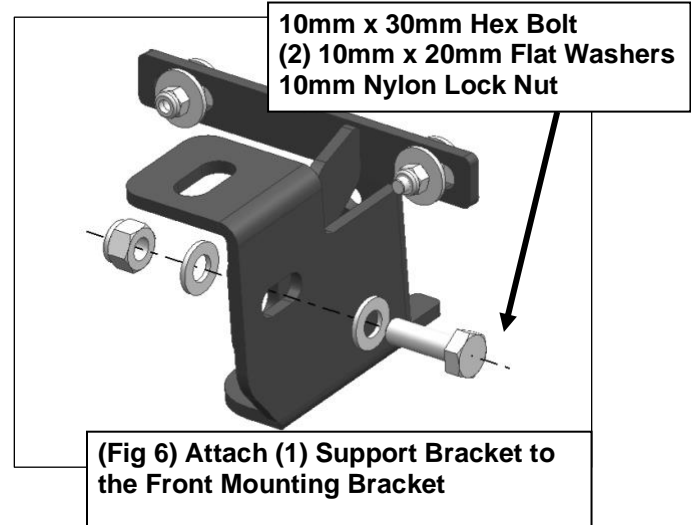
- 8mm Hex Bolt
- 8mm Lock Washer
- 8mm Flat Washer

(Fig 4) Attach the Front Mounting Bracket to the threaded hole in the front location

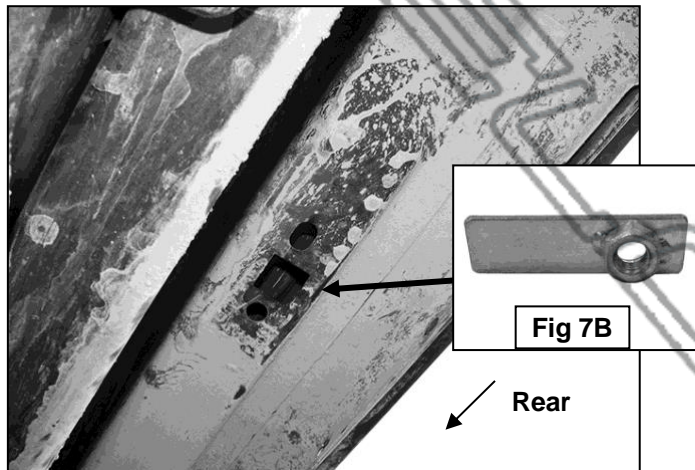


- (2) 6mm Hex Bolts
- (4) 6mm Flat Washers
- (2) 6mm Nylon Lock Nuts

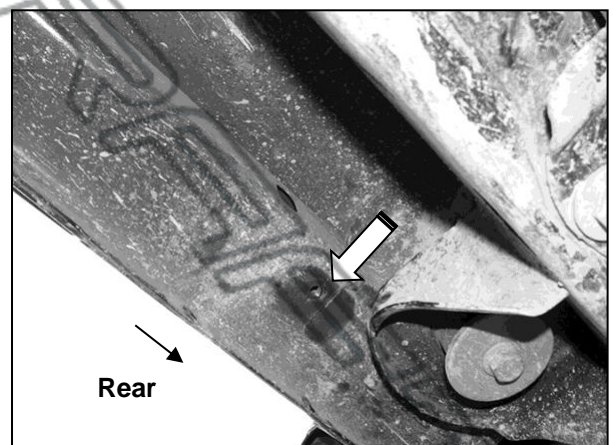
(Fig 5) Attach (1) Support Bracket to the (2) holes in the pinch trim in the front location



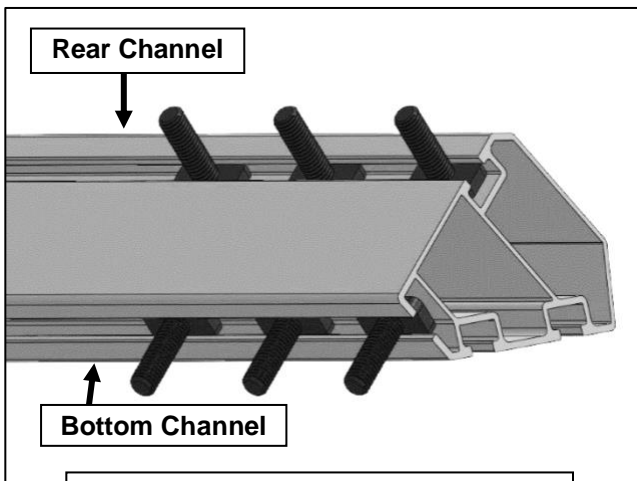
Passenger/Right Side Installation Pictured



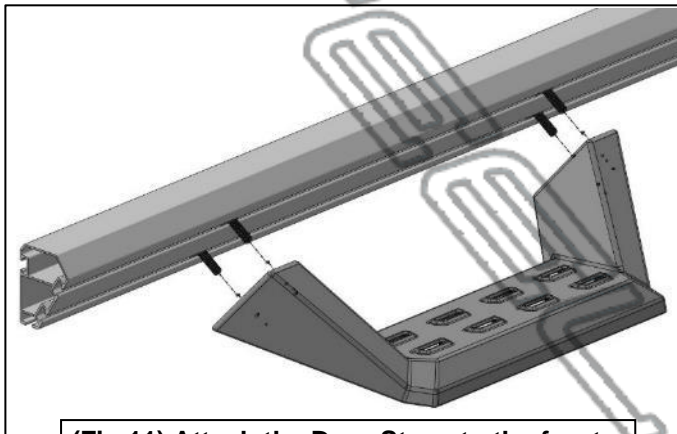
(Fig 7A) Passenger/Right center mounting location (Model without threaded insert shown)



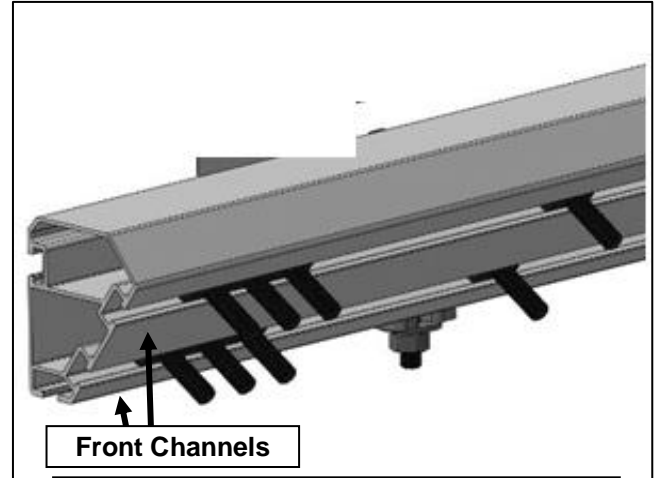
(Fig 8) Passenger/Right rear mounting location (Model with threaded inset shown)



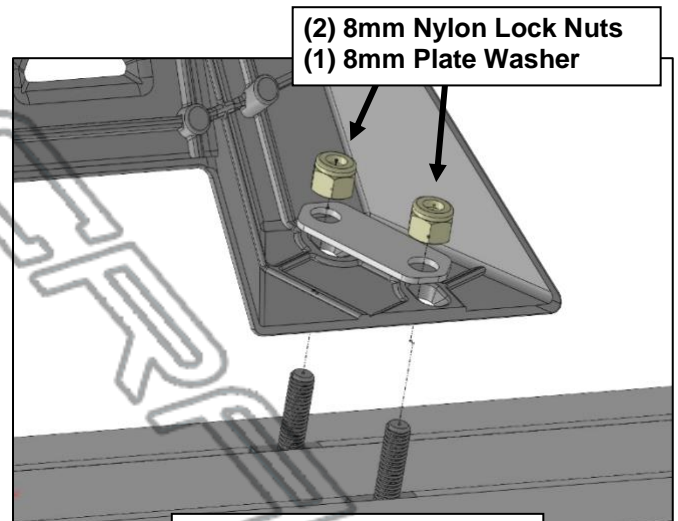
(Fig 9) Insert T-bolts into the rear and bottom channels on the universal mounting tube.



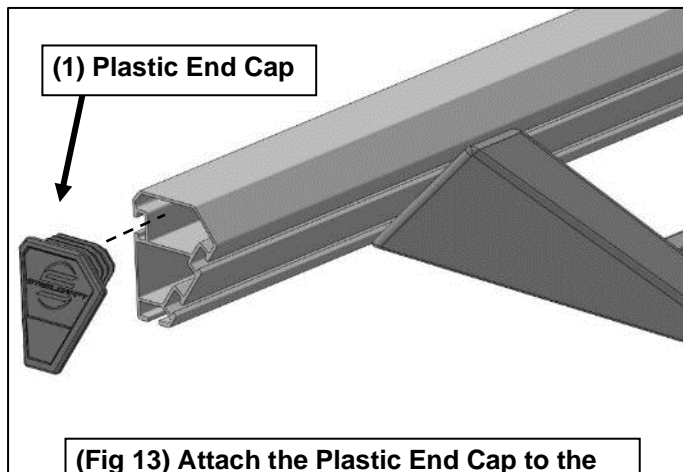
(Fig 11) Attach the Drop Steps to the front channels of the Universal Mounting Tube.



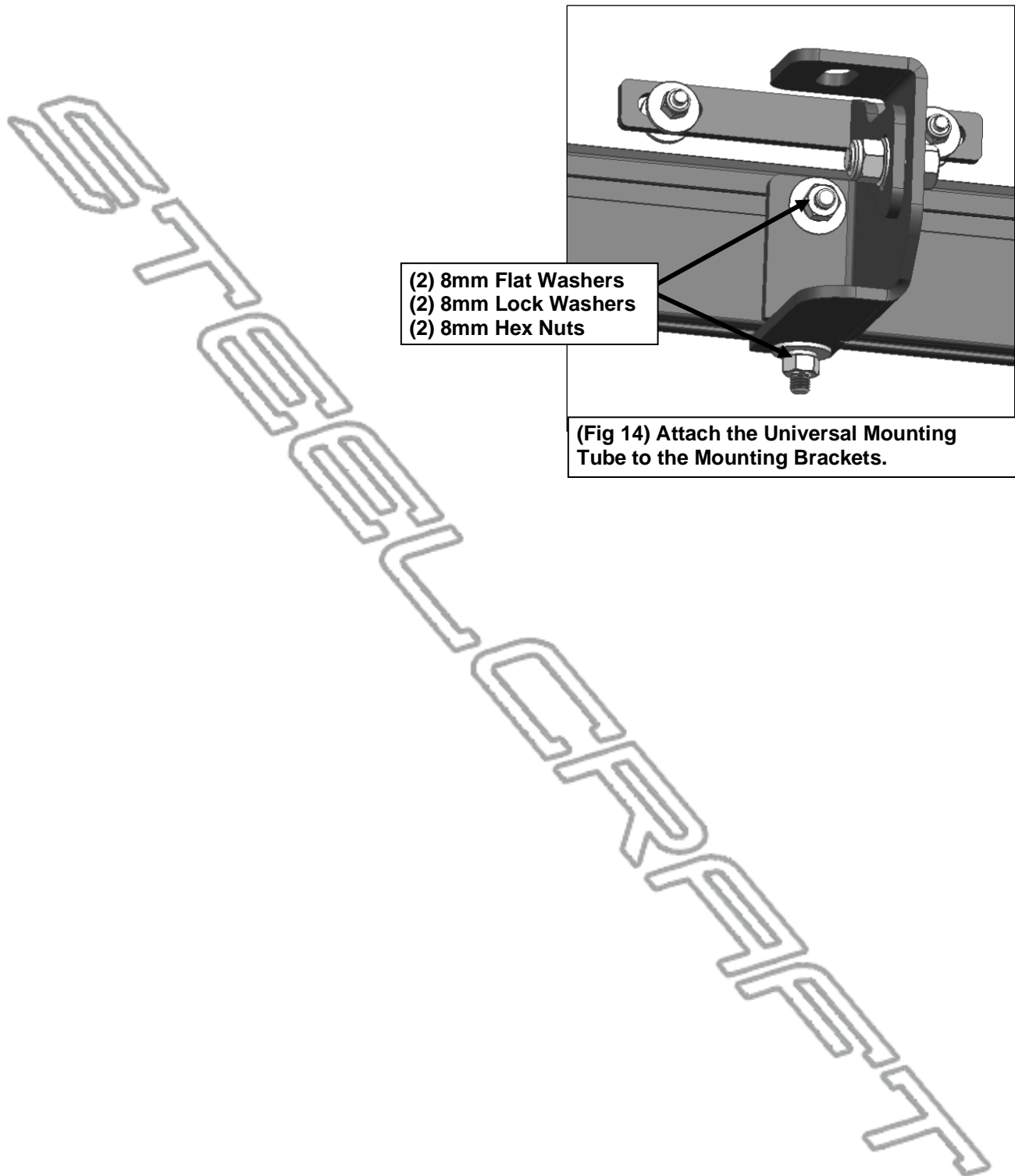
(Fig 10) Insert T-bolts into the Front channels on the universal mounting tube.



(Fig 12) Attach the Drop Steps to the 8mm T-bolts.



(Fig 13) Attach the Plastic End Cap to the end of the Universal Mounting Tube.



- (2) 8mm Flat Washers
- (2) 8mm Lock Washers
- (2) 8mm Hex Nuts

(Fig 14) Attach the Universal Mounting Tube to the Mounting Brackets.