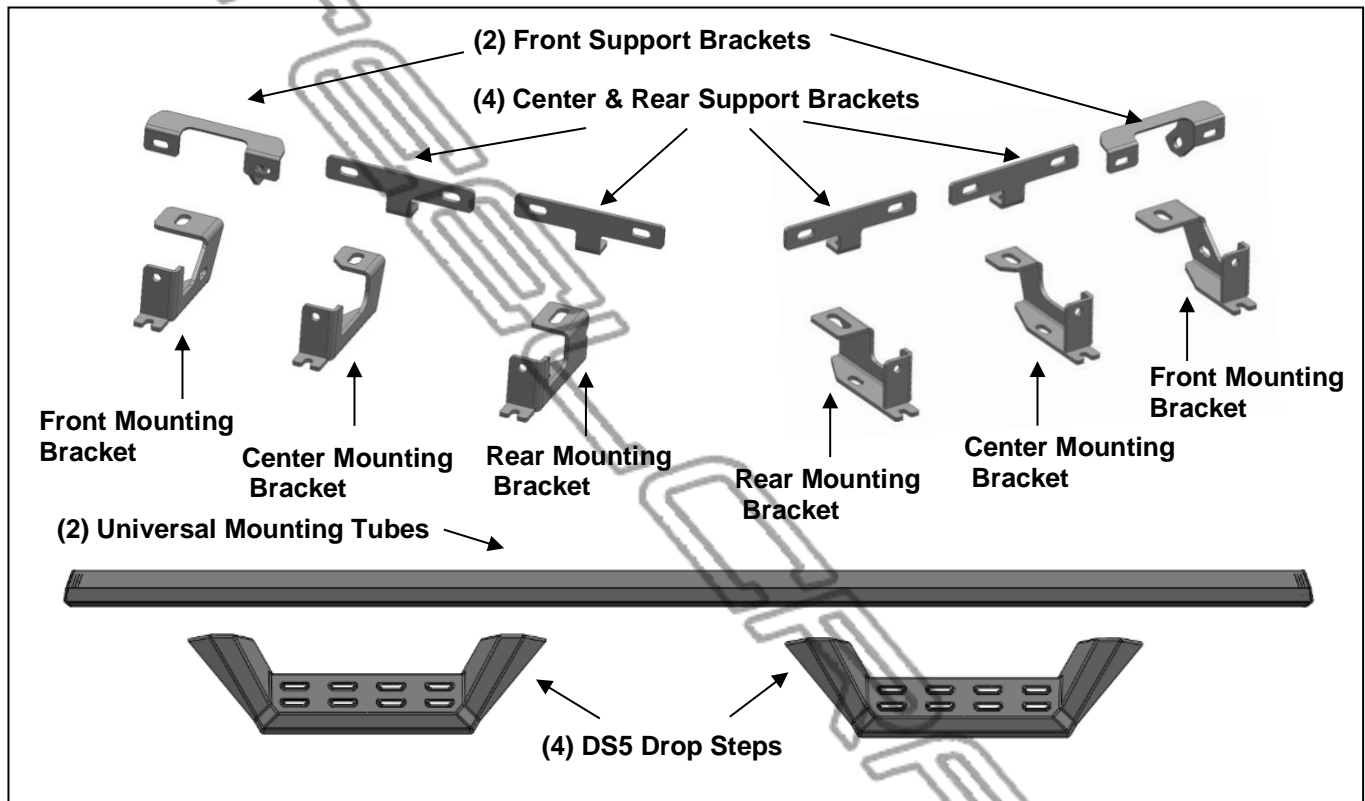


PARTS LIST:

2	Universal Mounting Tubes (85"	6	10mm Nylon Lock Nuts
2	Left Plastic End Caps	12	10mm x 24mm x 2.2mm Flat Washers
2	Right Plastic End Caps	16	8mm Nylon Lock Nuts
4	DS5 Drop Steps	6	8mm x 35mm Hex Bolts
2	Front Mounting Brackets	12	8mm Hex Nuts
2	Center Mounting Brackets	6	8mm x 28mm x 3mm Flat Washers
2	Rear Mounting Brackets	12	8mm x 24mm x 2mm Flat Washers
2	Front Support Brackets	18	8mm Lock Washers
4	Center & Rear Support Brackets	12	6mm Nylon Lock Nuts
8	Spacers	12	6mm x 25mm Hex Bolts
28	T-Bolts	24	6mm x 22mm x 2mm Flat Washers
6	10mm x 30mm Hex Bolts		



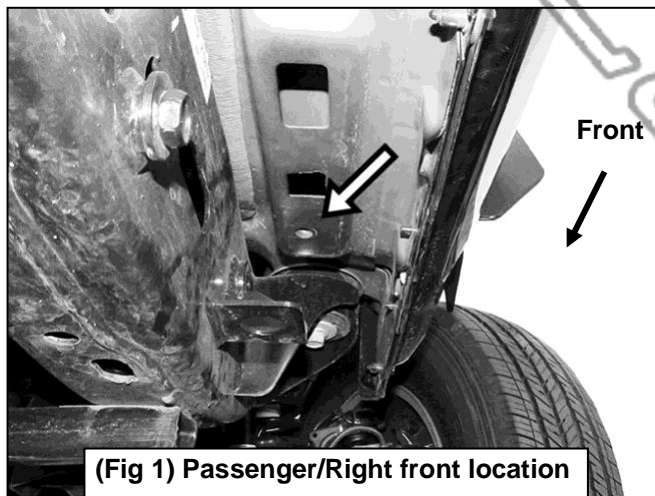
PROCEDURE:

REMOVE CONTENTS FROM BOX. VERIFY ALL PARTS ARE PRESENT. READ INSTRUCTIONS CAREFULLY. ASSISTANCE IS RECOMMENDED.

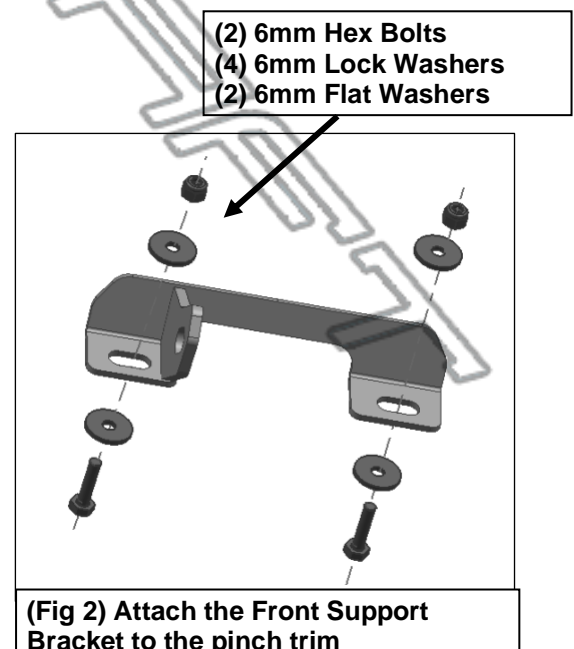
1. Start installation toward the front of the Passenger/Right side of the vehicle. Locate the factory threaded mounting hole in the bottom of the floor, **(Figure 1)**.
2. Select the Front Support Bracket. Attach the Support Bracket to the pinch weld with (2) 6mm Hex Bolts, (4) 6mm Flat Washers and (2) 6mm Nylon Lock Nuts. **(Figure 2)**. Select the Front Mounting Bracket, Attach Front Mounting Bracket to the threaded hole in the of the floor panel with (1) 8mm Hex Bolt, (1) 8mm Lock Washer and (1) 8mm Flat Washer, **(Figure 3)**. Attach the Support Bracket to the Mounting Bracket with (1) 10mm Hex Bolt, (2) 10mm Flat Washers and (1) 10mm Nylon Lock Nut, **(Figures 3)**. Do not tighten hardware
3. Move to the #2 center location, **(Figure 5)**. Repeat **Steps 2** to attach the Center Mounting Bracket and the Center & Rear Support Bracket, **(Figures 5—6)**.
4. Move to the rear location, **(Figure 7)**. Repeat **Steps 2** to attach the Rear Mounting Bracket and the Center & Rear Support Bracket to the rear location. **(Figures 7—8)**

5. Select the Universal Mounting Tube. Select (6) 8mm T-bolts. Insert the T-bolts into the rear and bottom channels of the Universal Mounting Tube, **(Figure 9)**. Guide the T-bolts to the general position of the Mounting Brackets.
6. Take (8) 8mm T-bolts. Insert the T-bolts into the front channels of the Universal Mounting Tube **(Figure 10)**. Each front channel should have (4) T-bolts, which corresponds to the holes on the DS5 Drop Steps.
7. Attach the DS5 Drop Steps to the Universal Mounting Tube. Each DS5 Drop Step uses (2) 8mm Plate Washers and (4) 8mm Nylon Lock Nuts, **(Figure 11—12)**. Do not tighten hardware. While the hardware is not tightened, the Drop Steps will slide along the length of the channels.
8. Take (2) Plastic End Caps. Insert the correctly oriented Plastic End Caps onto the ends of the Universal Mounting Tube, **(Figure 13)**. It is recommended to secure one end and to use a rubber mallet to carefully tap the Plastic End Caps into place on the other end. Inspect the installed Plastic End Caps to see if they are facing the correct direction.
9. Attach the Universal Mounting Tube to the Mounting Brackets. Each Mounting Bracket uses (2) 8mm Flat Washers, (2) 8mm Lock Washers and (2) 8mm Hex Nuts, **(Figure 14)**. Do not tighten hardware.
10. Level and adjust the Universal Mounting Tube and tighten all hardware.
11. Adjust the DS5 Drop Steps by sliding them to the desired positions. Tighten all hardware to secure the Drop Steps in place.
12. Repeat **Steps 1—11** to attach the other Running Board.
13. Do periodic inspections to the installation to make sure that all hardware is secure and tight.

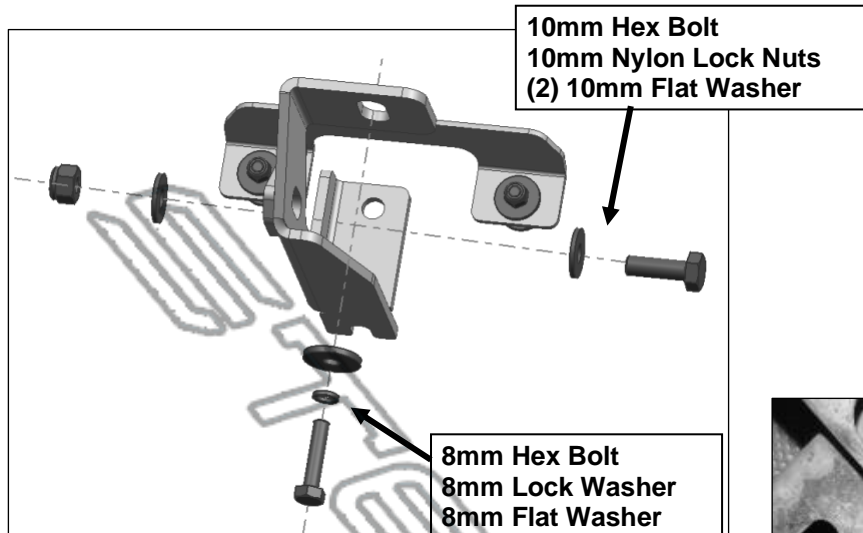
To protect your investment, Do not use any type of polish or wax that may contain abrasives that could damage the finish. Use only mild soap to clean the Running Boards.



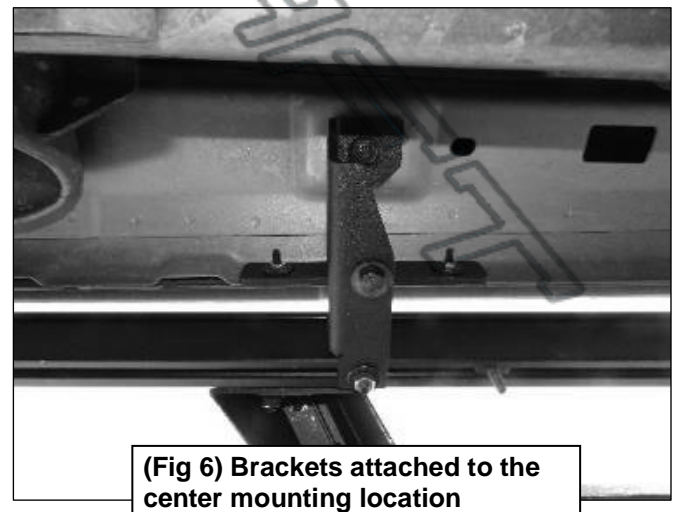
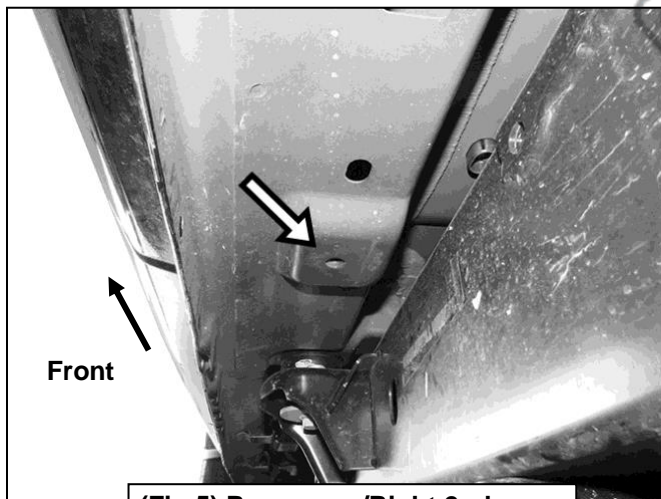
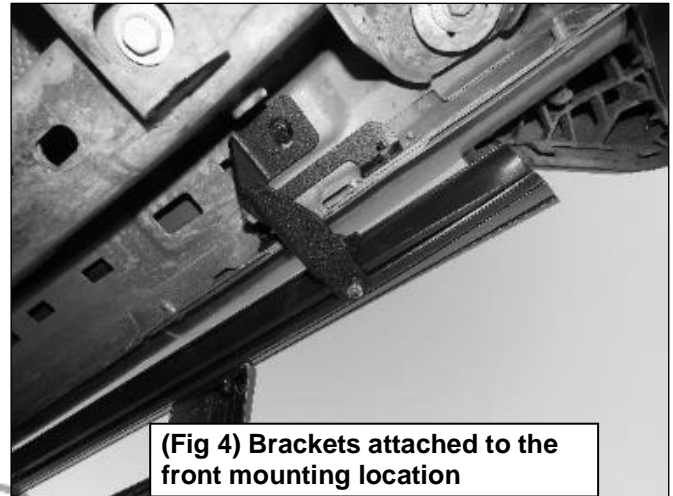
(Fig 1) Passenger/Right front location

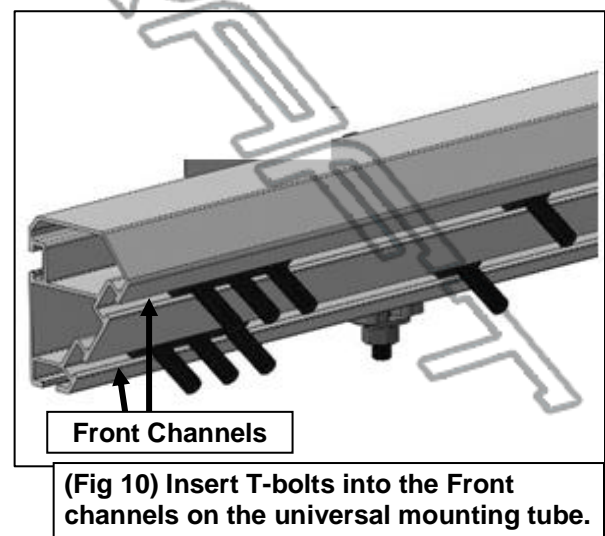
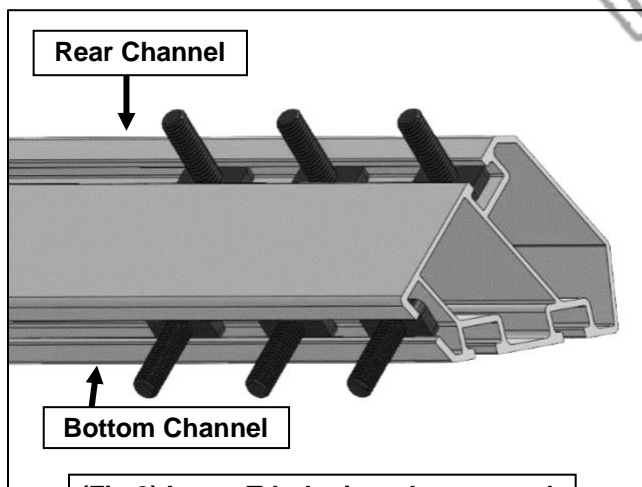
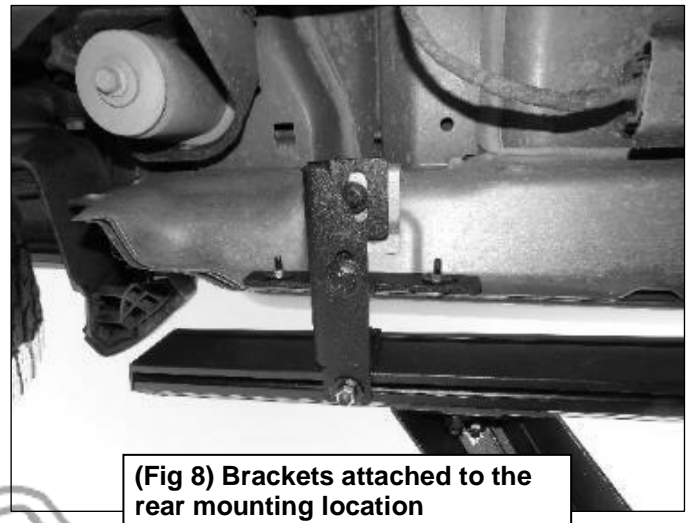
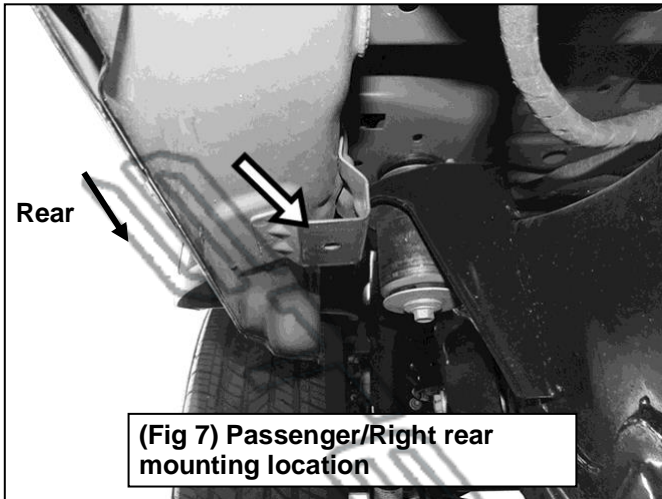


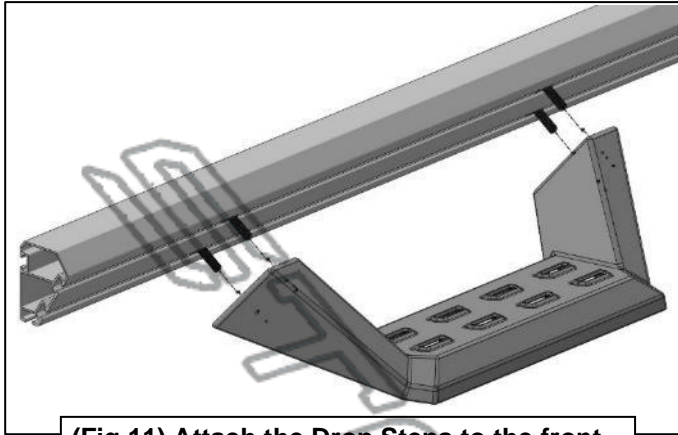
(Fig 2) Attach the Front Support Bracket to the pinch trim



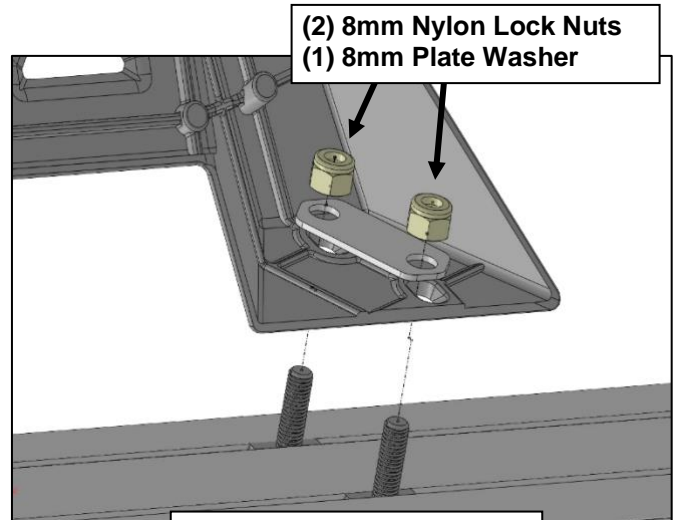
(Fig 3) Attach the Front Mounting Bracket to the front location; Attach the Front Support Bracket to the Mounting Bracket





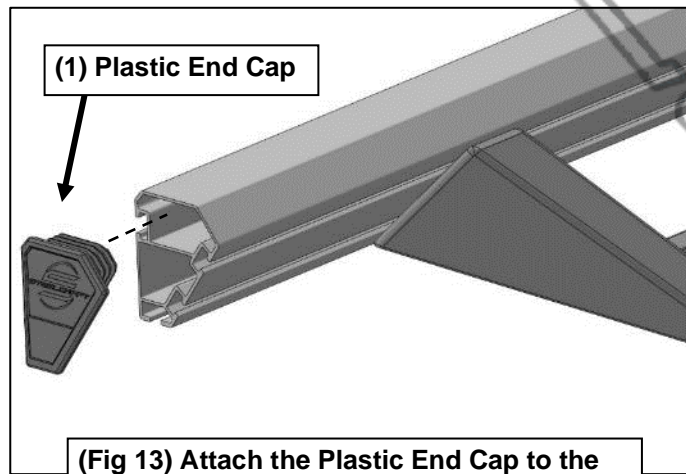


(Fig 11) Attach the Drop Steps to the front channels of the Universal Mounting Tube.



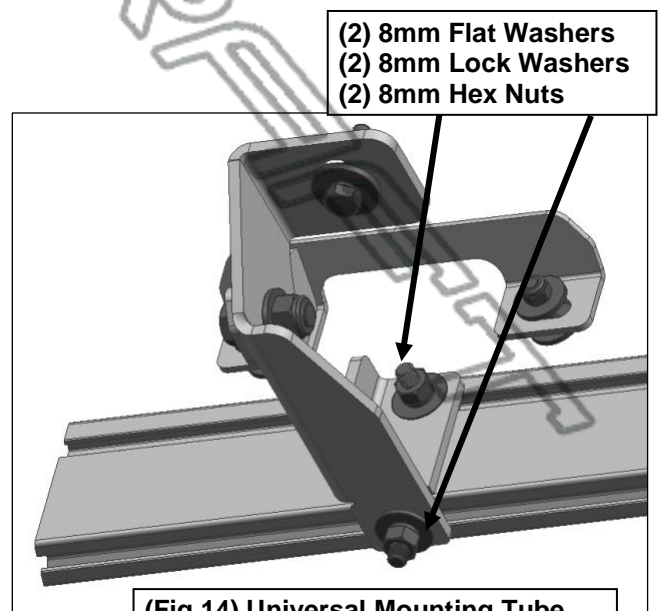
- (2) 8mm Nylon Lock Nuts
- (1) 8mm Plate Washer

(Fig 12) Attach the Drop Steps to the 8mm T-bolts.



- (1) Plastic End Cap

(Fig 13) Attach the Plastic End Cap to the end of the Universal Mounting Tube.



- (2) 8mm Flat Washers
- (2) 8mm Lock Washers
- (2) 8mm Hex Nuts

(Fig 14) Universal Mounting Tube attached to the Mounting Bracket.