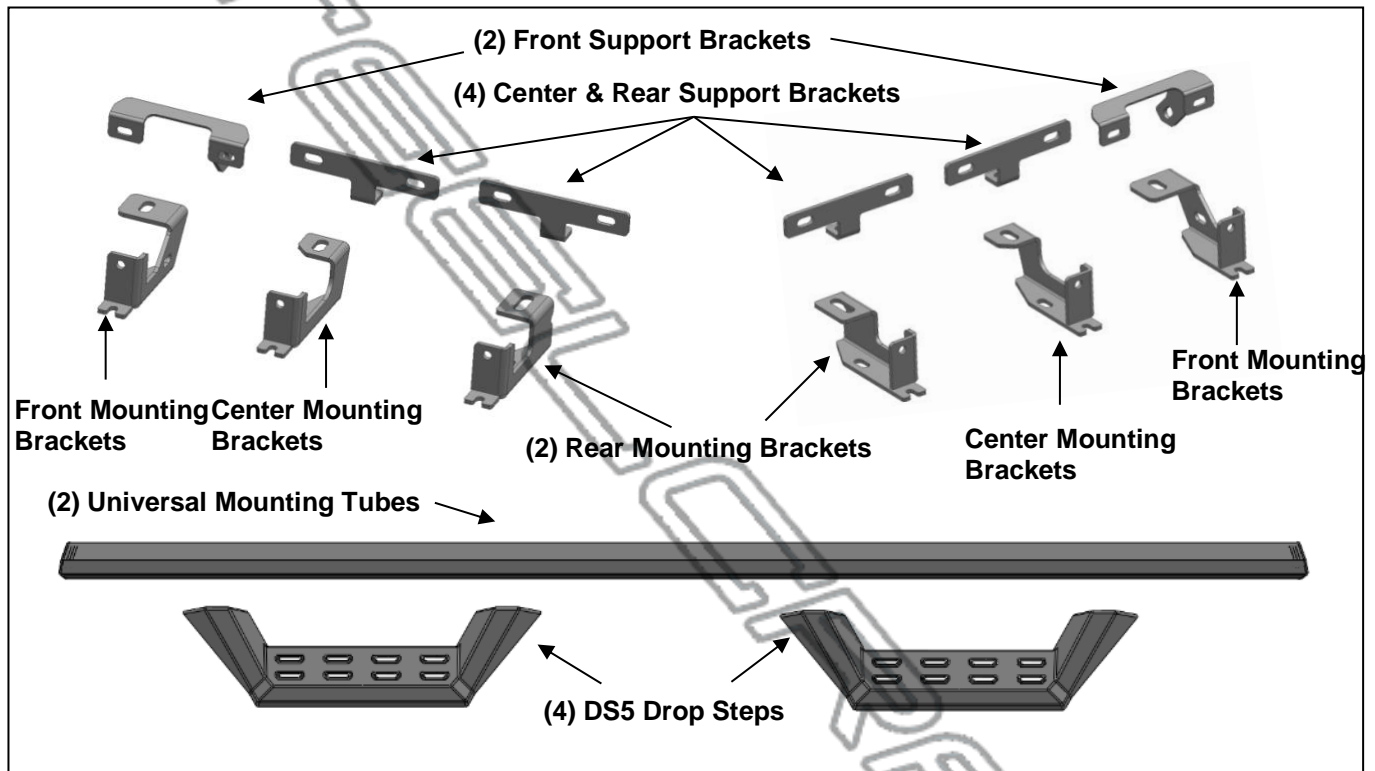


PARTS LIST:

2	Universal Mounting Tubes (69"	6	10-1.5mm Nylon Lock Nuts
2	Left Plastic End Caps	12	10mm x 24mm x 2.2mm Flat Washers
2	Right Plastic End Caps	16	8-1.25mm Nylon Lock Nuts
4	DS5 Drop Steps	6	8-1.25mm x 35mm Hex Bolts
2	Front Mounting Brackets	12	8-1.25mm Hex Nuts
2	Center Mounting Brackets	6	8mm x 28mm x 3mm Flat Washers
2	Rear Mounting Brackets	12	8mm x 24mm x 2mm Flat Washers
2	Front Support Brackets	18	8mm Lock Washers
4	Center & Rear Support Brackets	12	6-1.00mm Nylon Lock Nuts
8	Spacers	12	6-1.00mm x 25mm Hex Bolts
28	T-Bolts	24	6mm x 22mm x 2mm Flat Washers
6	10-1.5mm x 30mm Hex Bolts		



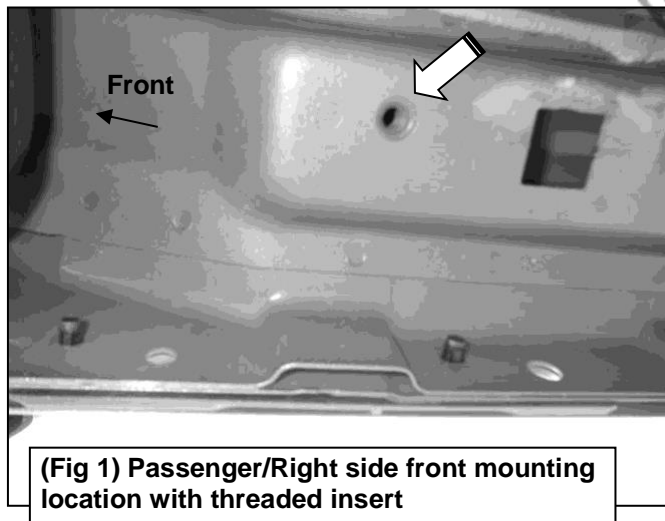
PROCEDURE:

REMOVE CONTENTS FROM BOX. VERIFY ALL PARTS ARE PRESENT. READ INSTRUCTIONS CAREFULLY. ASSISTANCE IS RECOMMENDED.

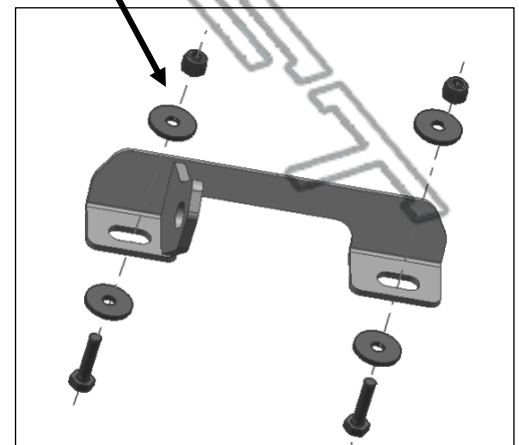
1. Start installation on the Passenger/Right front of the of the vehicle. Find the front threaded insert located in between the first pair of holes along the pinch weld, **(Figure 1)**.
2. Select the Front Support Bracket. **IMPORTANT:** Use the illustration above to help identify the correct Support Bracket. Attach the Support Bracket to the pinch weld using (2) 6mm Hex Bolts, (4) 6mm Flat Washers and (2) 6mm Nylon Lock Nuts, **(Figure 2 & 4)**. **NOTE: Insert Bolts from the outside of the pinch weld.**
3. Select the Passenger/Right Front Mounting Bracket. **IMPORTANT:** Use the illustration above to properly identify the Mounting Bracket. Attach the Mounting Bracket to the threaded insert using (1) 8mm Hex Bolt, (1) 8mm Lock Washer and (1) 8mm Flat Washer, **(Figure 3—4)**. Do not tighten hardware. Attach the Support Bracket to the Mounting Bracket with (1) 10mm Hex Bolt, (2) 10mm Flat Washers and (1) 10mm Nylon Lock Nut, **(Figure 3—4)**. Do not tighten hardware.
4. Move to the center mounting location and locate the threaded insert and pair of holes in the pinch weld, **(Figure 5)**. Repeat **Steps 2 & 3** to attach the Center Mounting Bracket and (1) Center/Rear Support Bracket, **(Figures 7—9)**. Do not tighten hardware.

5. Move to the rear mounting location on the rocker panel and locate the threaded insert and pair of holes in the pinch weld, **(Figure 6)**. Repeat **Steps 2 & 3** to attach the Rear Mounting Bracket and (1) Center/Rear Support Bracket, **(Figures 6—7 & 10—11)**. Do not tighten hardware.
6. Select the Universal Mounting Tube. Select (6) 8mm T-bolts. Insert the T-bolts into the rear and bottom channels of the Universal Mounting Tube, **(Figure 12)**. Guide the T-bolts to the general position of the Mounting Brackets.
7. Take (8) 8mm T-bolts. Insert the T-bolts into the front channels of the Universal Mounting Tube **(Figure 13)**. Each front channel should have (4) T-bolts, which corresponds to the holes on the DS5 Drop Steps.
8. Attach the DS5 Drop Steps to the Universal Mounting Tube. Each DS5 Drop Step uses (2) 8mm Plate Washers and (4) 8mm Nylon Lock Nuts, **(Figure 14—15)**. Do not tighten hardware. While the hardware is not tightened, the Drop Steps will slide along the length of the channels.
9. Take (2) Plastic End Caps. Insert the correctly oriented Plastic End Caps onto the ends of the Universal Mounting Tube, **(Figure 16)**. It is recommended to secure one end and to use a rubber mallet to carefully tap the Plastic End Caps into place on the other end. Inspect the installed Plastic End Caps to see if they are facing the correct direction.
10. Attach the Universal Mounting Tube to the Mounting Brackets. Each Mounting Bracket uses (2) 8mm Flat Washers, (2) 8mm Lock Washers and (2) 8mm Hex Nuts, **(Figure 17—22)**. Do not tighten hardware.
11. Level and adjust the Universal Mounting Tube and tighten all hardware.
12. Adjust the DS5 Drop Steps by sliding them to the desired positions. Tighten all hardware to secure the Drop Steps in place.
13. Repeat **Steps 1—12** to attach the other Running Board.
14. Do periodic inspections to the installation to make sure that all hardware is secure and tight.

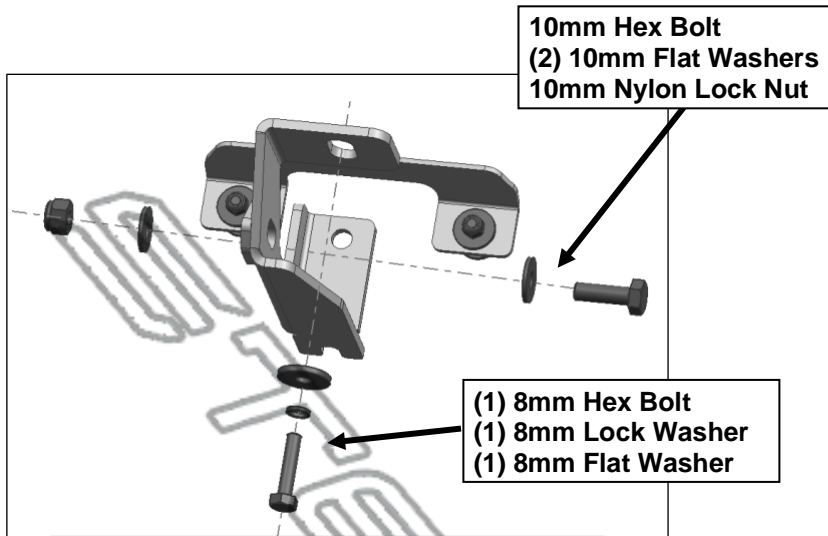
To protect your investment, Do not use any type of polish or wax that may contain abrasives that could damage the finish. Use only mild soap to clean the Running Boards.



(2) 6mm Hex Bolts
(4) 6mm Flat Washers
(2) 6mm Nylon Lock Nuts



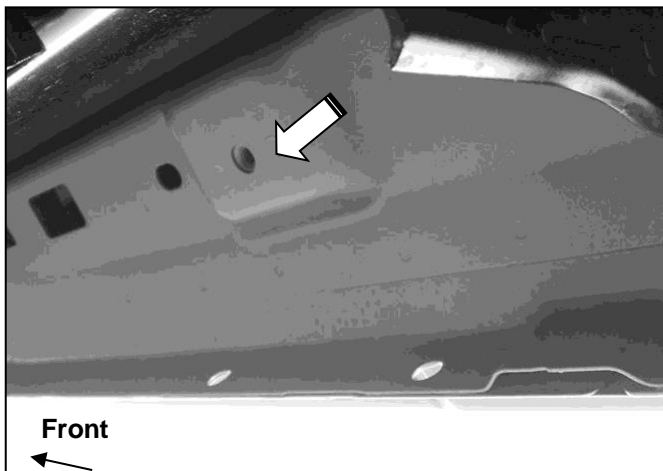
(Fig 2) Attach the Front Support Bracket to the pinch trim



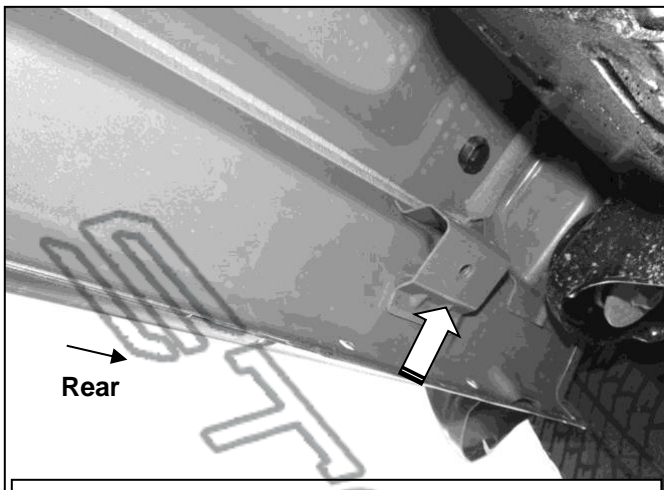
(Fig 3) Attach Front Support Bracket to the Front Mounting Bracket; Attach Front Mounting Bracket to Vehicle Front Mount Location



(Fig 4) Brackets mount to front location



(Fig 5) Passenger/Right center mounting location

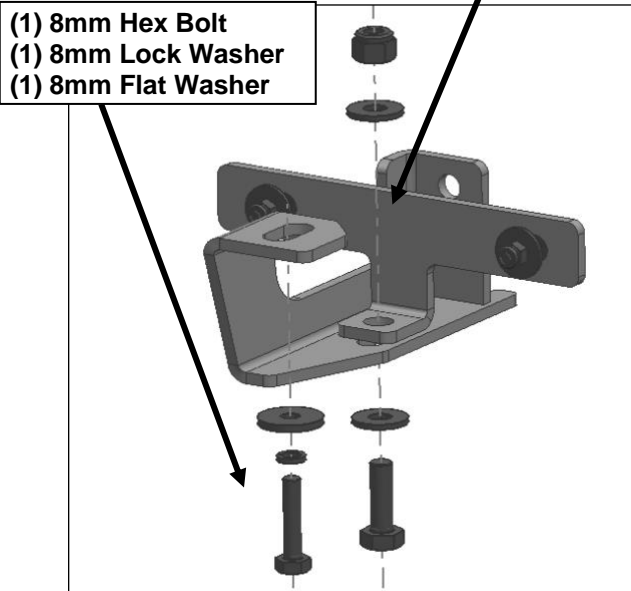


(Fig 6) Passenger/Right rear mounting location

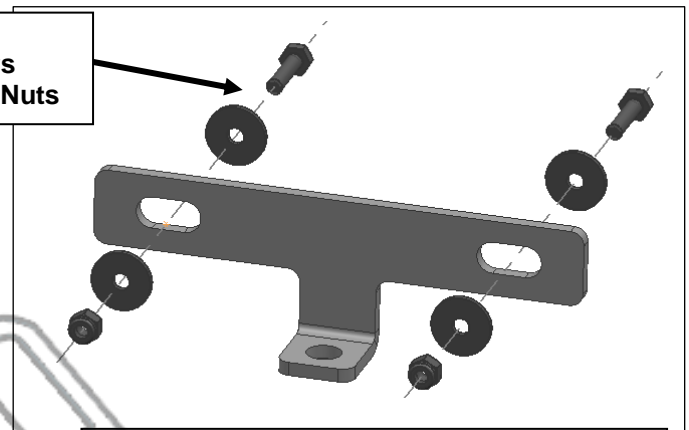
- (2) 6mm Hex Bolts
- (4) 6mm Flat Washers
- (2) 6mm Nylon Lock Nuts

- 10mm Hex Bolt
- (2) 10mm Flat Washers
- 10mm Nylon Lock Nut

- (1) 8mm Hex Bolt
- (1) 8mm Lock Washer
- (1) 8mm Flat Washer



(Fig 8) Attach Center & Rear Support Bracket to the Center Mounting Bracket; Attach Center Mounting Bracket to Vehicle Center Mount Location



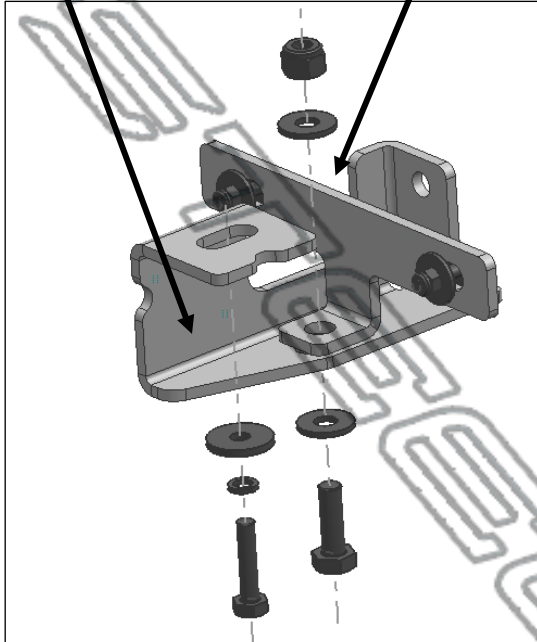
(Fig 7) Attach the Center & Rear Support Bracket to the pinch trim



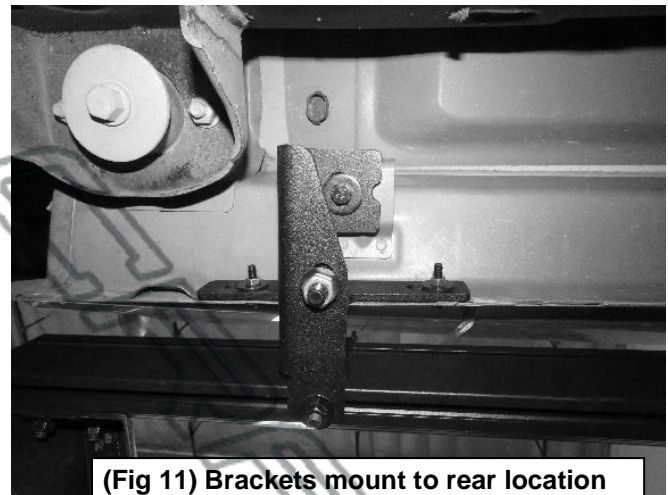
(Fig 9) Brackets mount to center location

- (1) 8mm Hex Bolt
- (1) 8mm Lock Washer
- (1) 8mm Flat Washer

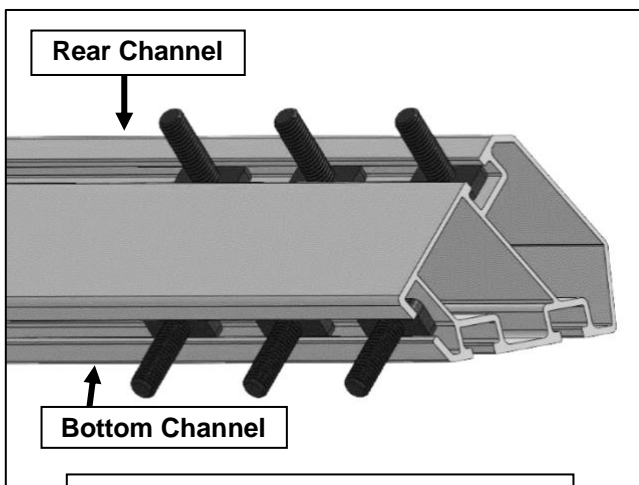
- 10mm Hex Bolt
- (2) 10mm Flat Washers
- 10mm Nylon Lock Nut



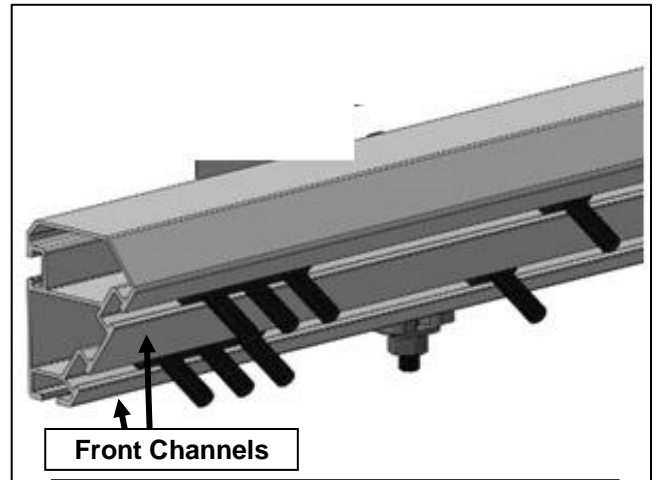
(Fig 10) Attach Center & Rear Support Bracket to the Rear Mounting Bracket; Attach Rear Mounting Bracket to Vehicle Rear Mount Location



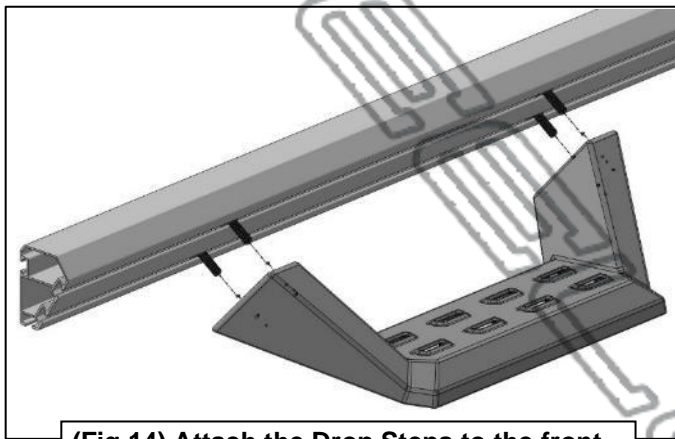
(Fig 11) Brackets mount to rear location



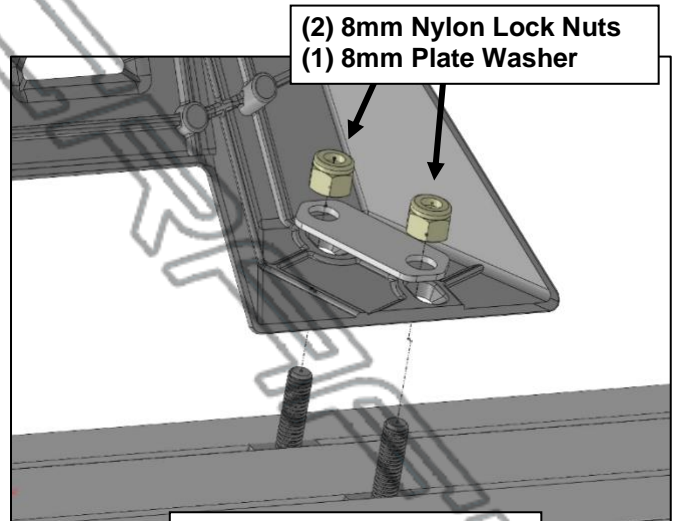
(Fig 12) Insert T-bolts into the rear and bottom channels on the universal mounting tube.



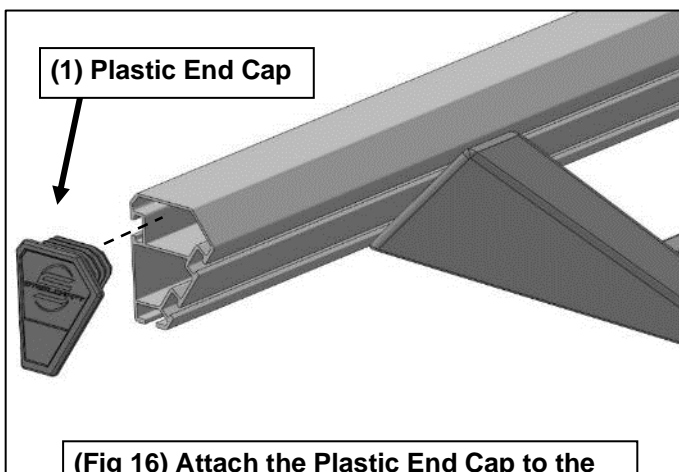
(Fig 13) Insert T-bolts into the Front channels on the universal mounting tube.



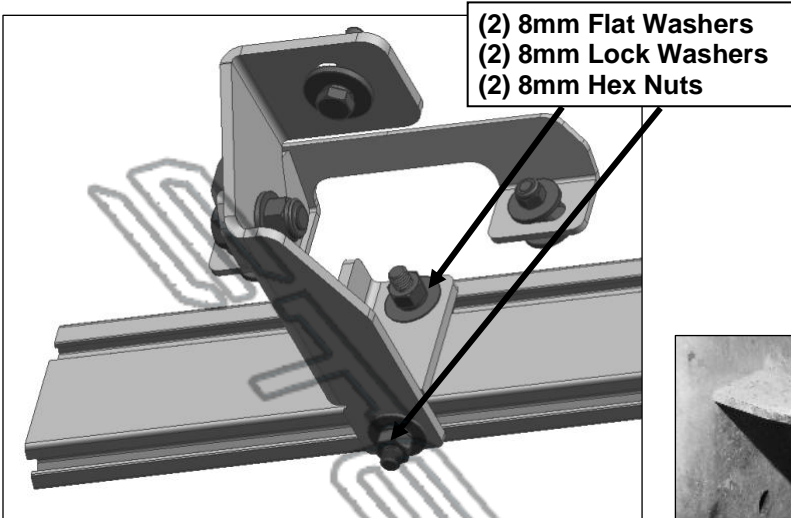
(Fig 14) Attach the Drop Steps to the front channels of the Universal Mounting Tube.



(Fig 15) Attach the Drop Steps to the 8mm T-bolts.



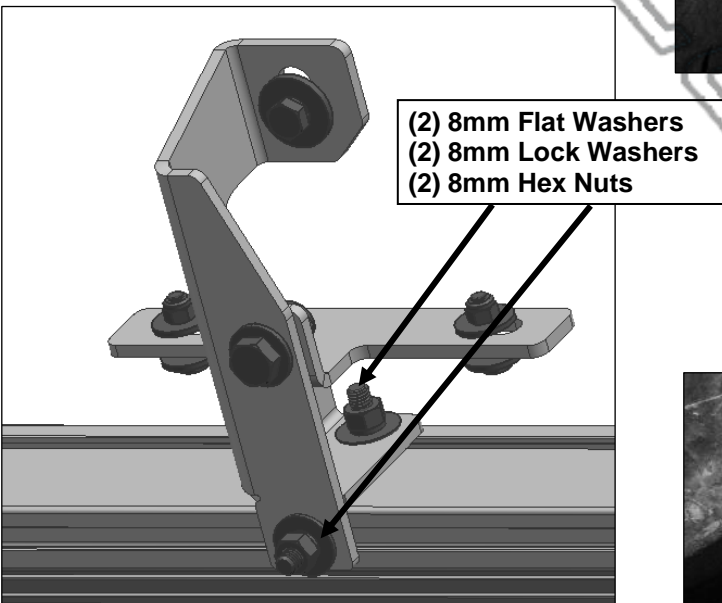
(Fig 16) Attach the Plastic End Cap to the end of the Universal Mounting Tube.



(Fig 17) Attach the Universal Mounting Tube to the Front Mounting Brackets.



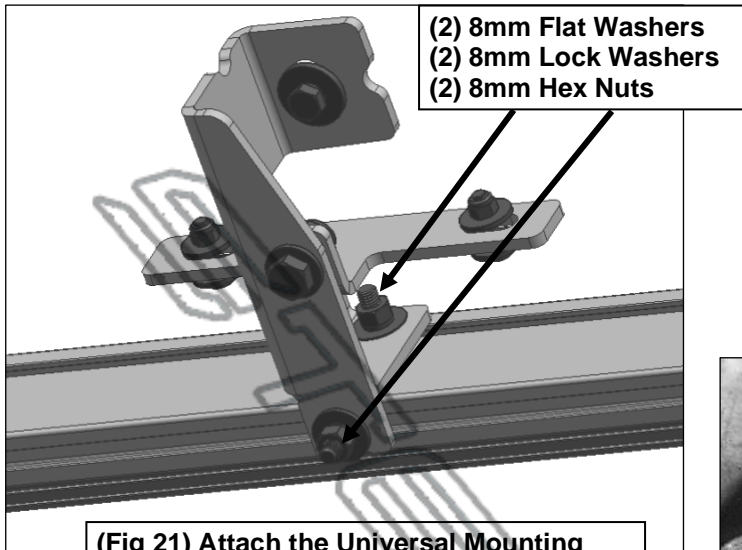
(Fig 18) Universal Mounting Tube attached to the Front Mounting Bracket.



(Fig 19) Attach the Universal Mounting Tube to the Center Mounting Brackets.



(Fig 20) Universal Mounting Tube attached to the Center Mounting Bracket.



- (2) 8mm Flat Washers
- (2) 8mm Lock Washers
- (2) 8mm Hex Nuts

(Fig 21) Attach the Universal Mounting Tube to the Rear Mounting Brackets.



(Fig 22) Universal Mounting Tube attached to the Rear Mounting Bracket.