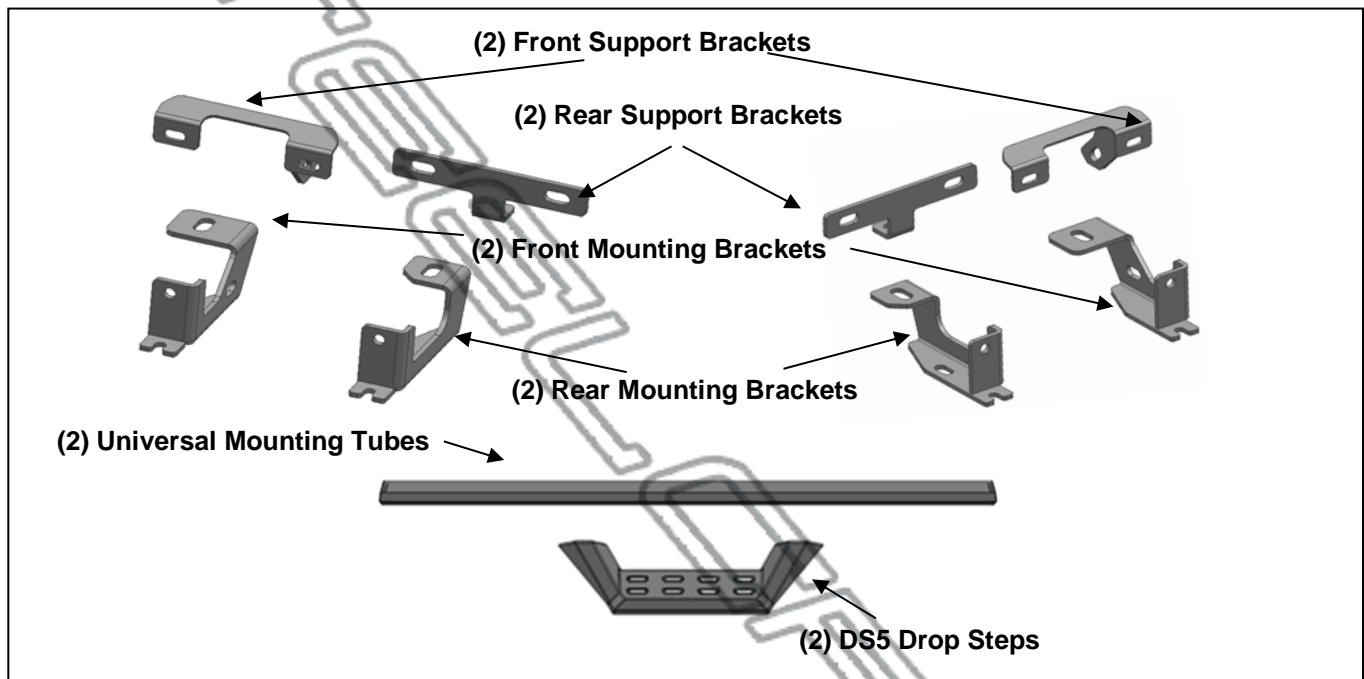


PARTS LIST:

2	Universal Mounting Tubes (53"	4	10-1.5mm x 30mm Hex Bolts
2	DS5 Drop Steps	4	10-1.5mm Nylon Lock Nuts
2	Left Plastic End Caps	8	8-1.25mm Hex Nuts
2	Right Plastic End Caps	8	8-1.25mm Nylon Lock Nuts
2	Front Mounting Brackets	4	8-1.25mm x 35mm Hex Bolts
2	Rear Mounting Brackets	4	8mm x 28mm x 3mm Flat Washers
2	Front Support Brackets	8	8mm x 24mm x 2mm Flat Washers
2	Rear Support Bracket	12	8mm Lock Washers
4	Spacer	8	6-1.00mm Nylon Lock Nuts
16	8-1.25mm x 25mm T-Bolts	8	6-1.00mm x 25mm Hex Bolts
8	10mm x 24mm x 2.2mm Flat Washers	16	6mm x 22mm x 2mm Flat Washers



PROCEDURE:

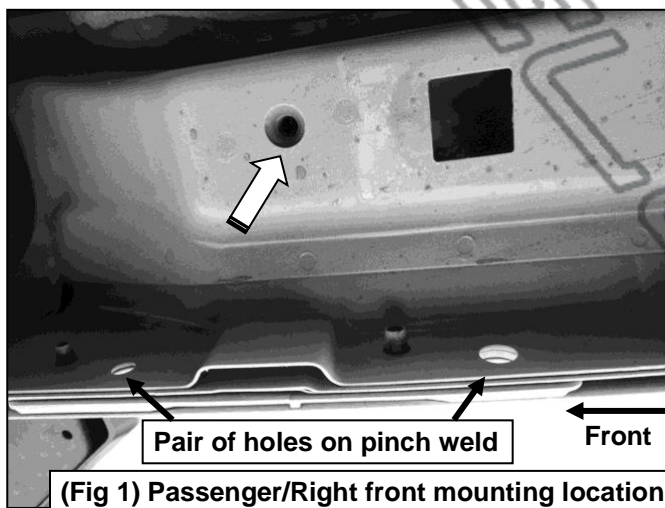
REMOVE CONTENTS FROM BOX. VERIFY ALL PARTS ARE PRESENT. READ INSTRUCTIONS CAREFULLY. ASSISTANCE IS RECOMMENDED.

1. Start installation toward the front of the Passenger/Right side of the vehicle and find the front threaded insert located in between the first pair of holes along the pinch weld, **(Figure 1)**.
2. Next, select the Front Support Bracket, **(Figure 2)**. Attach the Support Bracket to the pinch weld with (2) 6mm Hex Bolts, (4) 6mm Flat Washers and (2) 6mm Nylon Lock Nuts, **(Figure 2)**. Select the Front Mounting Bracket, **(Figure 3)**. Attach the Bracket to the threaded insert using (1) 8mm Hex Bolt, (1) 8mm Lock Washer and (1) 8mm Flat Washer, **(Figure 3)**. Do not tighten hardware. Attach the Support Bracket to the Mounting Bracket with (1) 10mm Hex Bolt, (2) 10mm Flat Washers and (1) 10mm Nylon Lock Nut, **(Figure 3)**
3. Move to the rear mounting location and locate the threaded insert and pair of holes on the pinch weld, **(Figure 4)**. Repeat **Step 2** to install the Rear Brackets. **(Figure 5—6)**
4. Select the Universal Mounting Tube. Select (4) 8mm T-bolts. Insert the T-bolts into the rear and bottom channels of the Universal Mounting Tube, **(Figure 7)**. Guide the T-bolts to the general position of the Mounting Brackets.
5. Take (4) 8mm T-bolts. Insert the T-bolts into the front channels of the Universal Mounting Tube **(Figure 8)**. Each front channel should have (2) T-bolts, which corresponds to the holes on the DS5 Drop Steps.

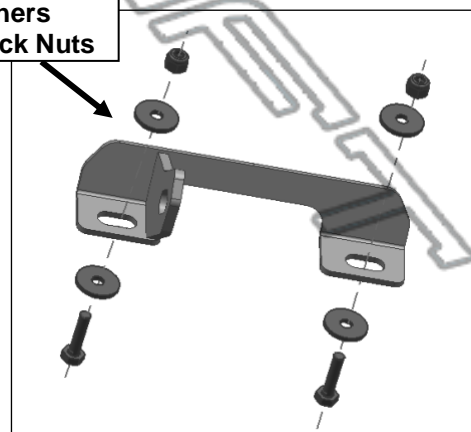
6. Attach the DS5 Drop Steps to the Universal Mounting Tube. Each DS5 Drop Step uses (2) 8mm Plate Washers and (4) 8mm Nylon Lock Nuts, **(Figure 9—10)**. Do not tighten hardware. While the hardware is not tightened, the Drop Steps will slide along the length of the channels.
7. Take (2) Plastic End Caps. Insert the correctly oriented Plastic End Caps onto the ends of the Universal Mounting Tube, **(Figure 11)**. It is recommended to secure one end and to use a rubber mallet to carefully tap the Plastic End Caps into place on the other end. Inspect the installed Plastic End Caps to see if they are facing the correct direction.
8. Attach the Universal Mounting Tube to the Mounting Brackets. Each Mounting Bracket uses (2) 8mm Flat Washers, (2) 8mm Lock Washers and (2) 8mm Hex Nuts, **(Figure 12—13)**. Do not tighten hardware.
9. Level and adjust the Universal Mounting Tube and tighten all hardware.
10. Adjust the DS5 Drop Steps by sliding them to the desired positions. Tighten all hardware to secure the Drop Steps in place.
11. Repeat **Steps 1—10** to attach the other Running Board.
12. Do periodic inspections to the installation to make sure that all hardware is secure and tight.

To protect your investment, Do not use any type of polish or wax that may contain abrasives that could damage the finish. Use only mild soap to clean the Running Boards.

Passenger/Right side Installation Pictured



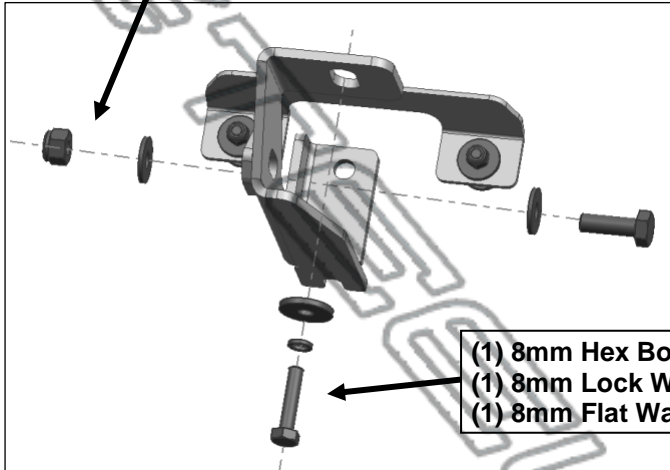
(2) 6mm Hex Bolts
(4) 6mm Flat Washers
(2) 6mm Nylon Lock Nuts



(Fig 2) Attach the Front Support Bracket to the pinch weld

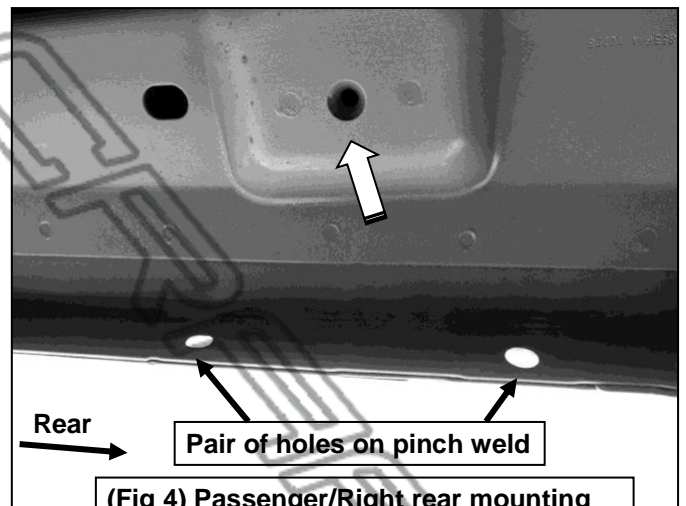
Passenger/Right side Installation Pictured

- (1) 10mm Hex Bolt
- (2) 10mm Flat Washers
- (1) 10mm Nylon Lock



- (1) 8mm Hex Bolt
- (1) 8mm Lock Washer
- (1) 8mm Flat Washer

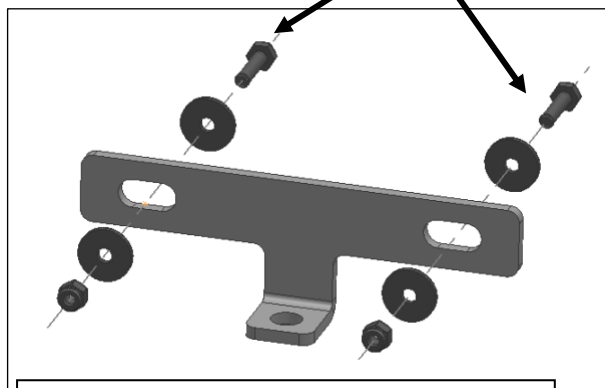
(Fig 3) Attach Front Support Bracket to the Front Mounting Bracket; Attach Front Mounting Bracket to Vehicle Front Mount Location



Pair of holes on pinch weld

(Fig 4) Passenger/Right rear mounting location

- (2) 6mm Hex Bolts
- (4) 6mm Flat Washers
- (2) 6mm Nylon Lock Nuts

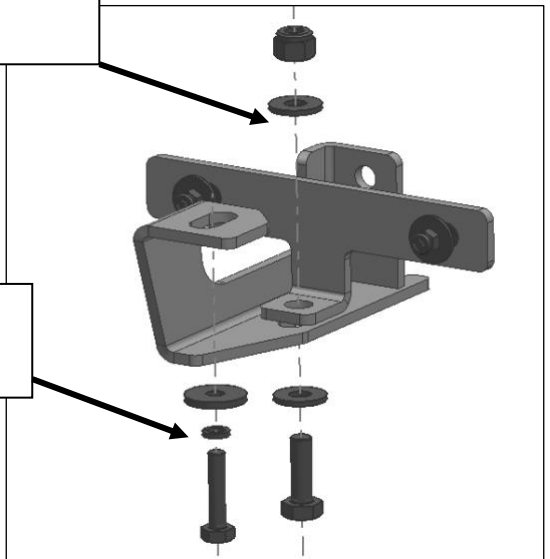


(Fig 5) Attach the Rear Support Bracket to the pinch weld

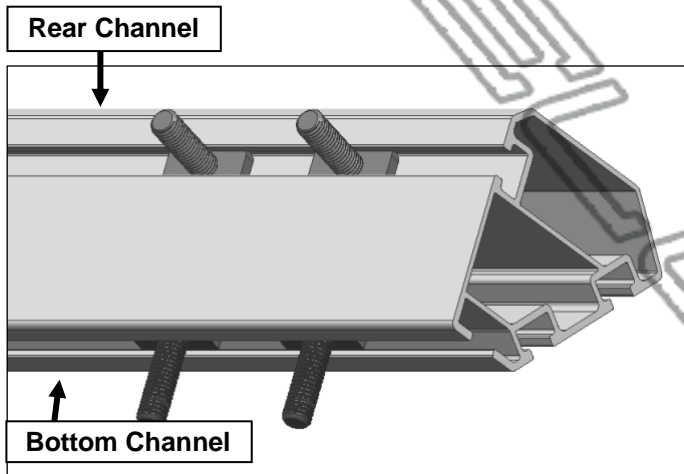
Passenger/Right side Installation Pictured

- (1) 10mm Hex Bolt
- (2) 10mm Flat Washers
- (1) 10mm Nylon Lock Nut

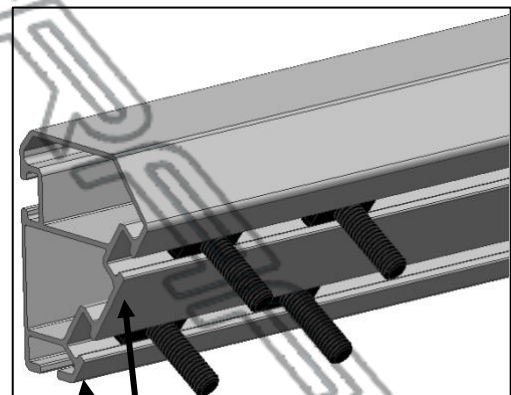
- (1) 10mm Hex Bolt
- (2) 10mm Flat Washers
- (1) 10mm Nylon Lock Nut



(Fig 6) Attach Rear Support Bracket to the Rear Mounting Bracket; Attach Rear Mounting Bracket to Vehicle Rear Mount Location

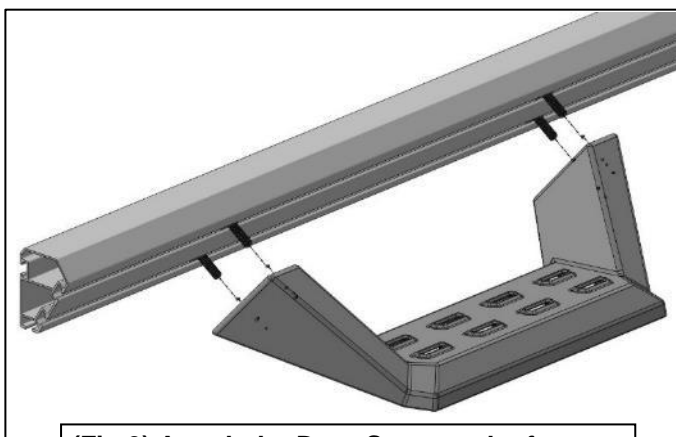


(Fig 7) Insert T-bolts into the rear and bottom channels on the universal mounting tube.



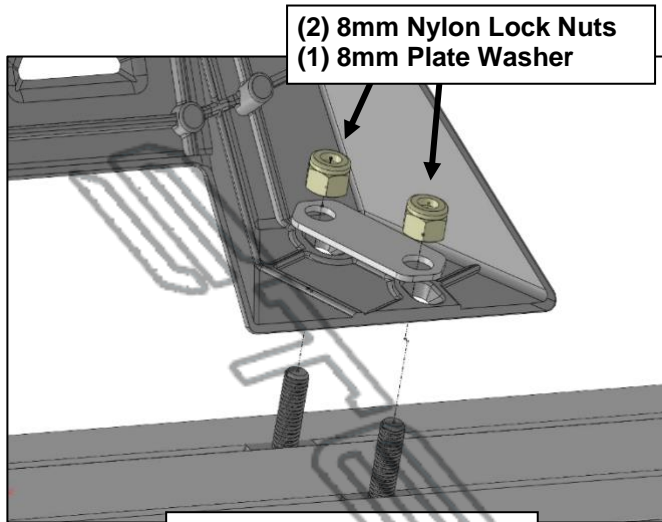
Front Channels

(Fig 8) Insert T-bolts into the Front channels on the universal mounting tube.

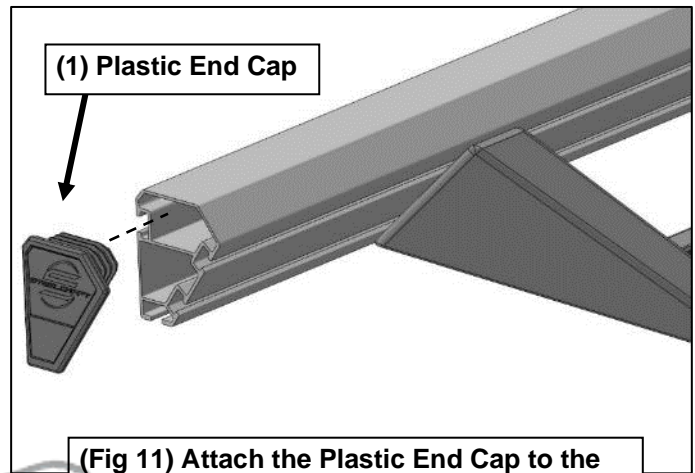


(Fig 9) Attach the Drop Steps to the front channels of the Universal Mounting Tube.

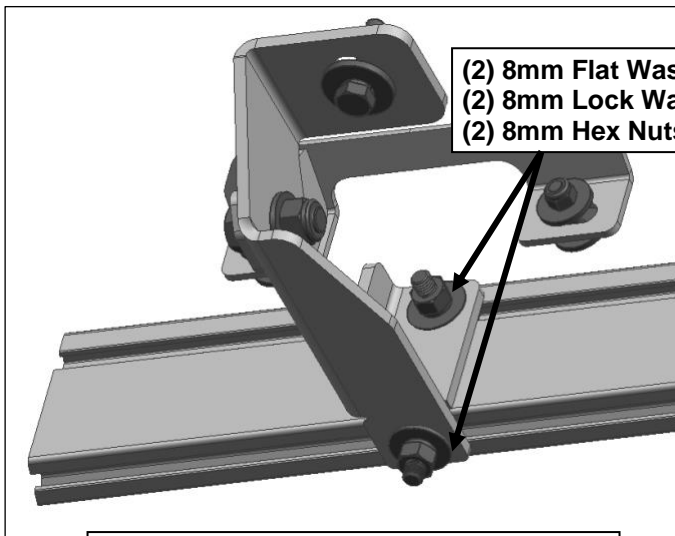
Passenger/Right side Installation Pictured



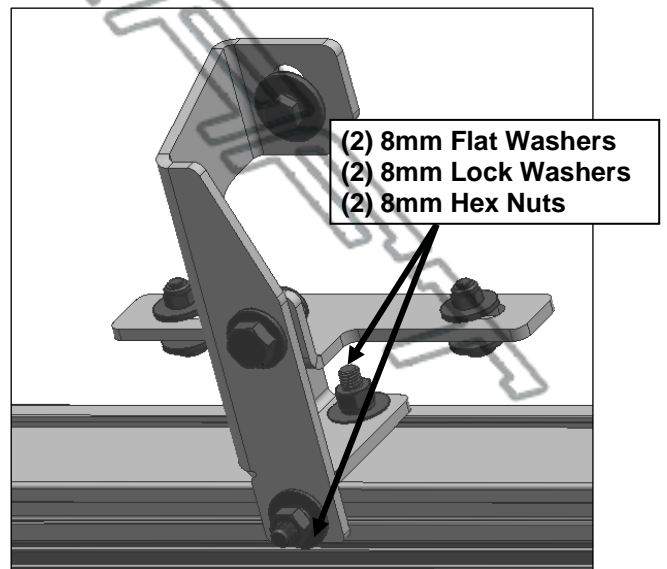
(Fig 10) Attach the Drop Steps to the 8mm T-bolts.



(Fig 11) Attach the Plastic End Cap to the end of the Universal Mounting Tube.



(Fig 12) Attach the Universal Mounting Tube to the Front Mounting Brackets.



(Fig 13) Attach the Universal Mounting Tube to the Rear Mounting Brackets.